

Parts book

Product type
MQP-25-T Serie 1



Den Hoek 10
5845 EL St. Anthonis
the Netherlands
Telephone +31 (0)485 442300
Fax +31 (0)485 442120

info@demarec.com
www.demarec.com



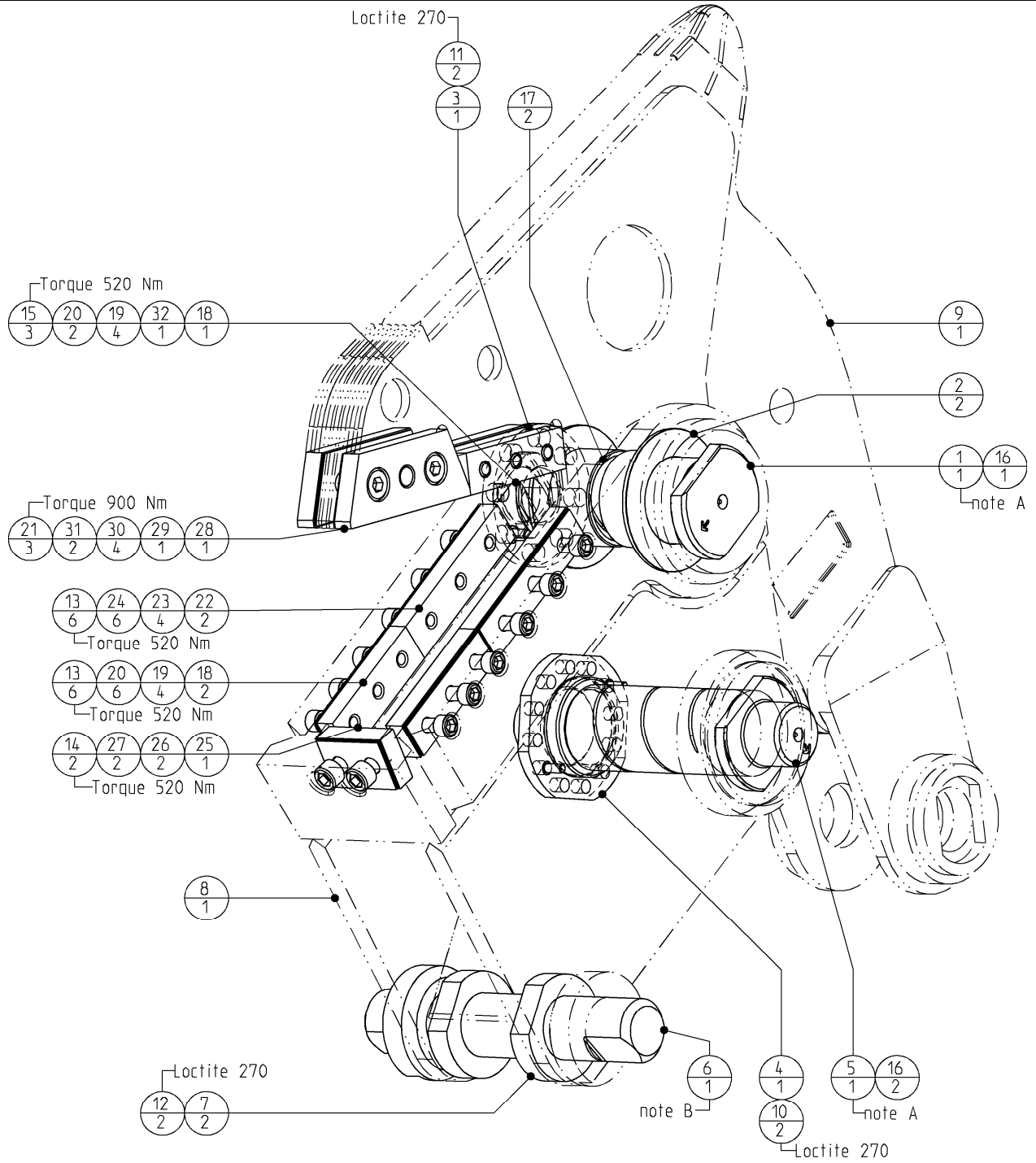
*Copyright Demolition and Recycling Equipment BV
All rights strictly reserved.
Reproductions to third parties in any form whatever is not permitted
without written authority from the proprietor*

Partsbook_404245-00.doc

Multi Quick Processor

Jaw Group

Page	1	of	2
Date	April 2009		
Product type	MQP-25-T		
Number	MQP25T120AAA 404245-00		



Parts marked with a letter in column "Set" can be ordered as a set with Itemnumber

Set	Wearpartset	Itemnumber
a	Cuttingedges set	403662

Note A:
Arrow indicates the direction of grease channel in the middle of the pin.

Note B:
Orient wedge surfaces of rearpin 403020 with the help of MQP-25 pin fixture (403227).

Order of endassembly;

- # Fill clearance between upper- and lowerjaw to zero with shims 9.5, 10 or 10.5mm.
- # Mount Locknut tight and lock with bolt 500258.
- # Zero clearance between shearblades means 2mm space nominal for shims behind shear blades in upperjaw, and 4,5mm in lowerjaw.

Multi Quick Processor

Page	2	of	2
Date	April 2009		
Product type	MQP-25-T		
Number	MQP25T120AAA 404245-00		

Jaw Group

a	32	508057	Shear - blade straight contra	1
a	31	508050	Shim - trapezium	2
a	30	508049	Shim - trapezium	4
a	29	508048	Shear - blade trapezium LH	1
a	28	508047	Shear - blade trapezium RH	1
a	27	508019	Shim - straight	2
a	26	508018	Shim - straight	2
a	25	508017	Shear - blade straight	1
a	24	508003	Shim - straight	6
a	23	508002	Shim - straight	4
a	22	508001	Shear - blade straight	2
a	21	506022	Shoulder bolt	3
a	20	500952	Shim - straight	8
a	19	500951	Shim - straight	8
a	18	500950	Shear - blade straight	3
	17	500572	Bushing	2
	16	500560	Grease - nipple	3
a	15	500377	Flat countersunk head cap screws	3
a	14	500281	Hex. socket head cap screw	2
a	13	500273	Hex. socket head cap screw	12
	12	500262	Hex. socket head cap screw	2
	11	500258	Hex. socket head cap screw	2
	10	500247	Hex. socket head cap screw	2
	9	404248	Jaw - upper asm. machined	1
	8	404246	Jaw - lower asm. welded	1
	7	403021	Ring - clamp	2
	6	403020	Pin	1
	5	403019	Pin	1
	4	402051	Locknut M110x4	1
	3	401313	Locknut	1
	2	401192	Spacer	2
	1	400726	Pin	1
Set	POS	PARTNUMBER	PARTNAME	QT