

# Parts book

<b>Product type</b>
MQP-45-C Serie 4b



Den Hoek 10  
5845 EL St. Anthonis  
the Netherlands  
Telephone +31 (0)485 442300  
Fax +31 (0)485 442120

[info@demarec.com](mailto:info@demarec.com)  
[www.demarec.com](http://www.demarec.com)



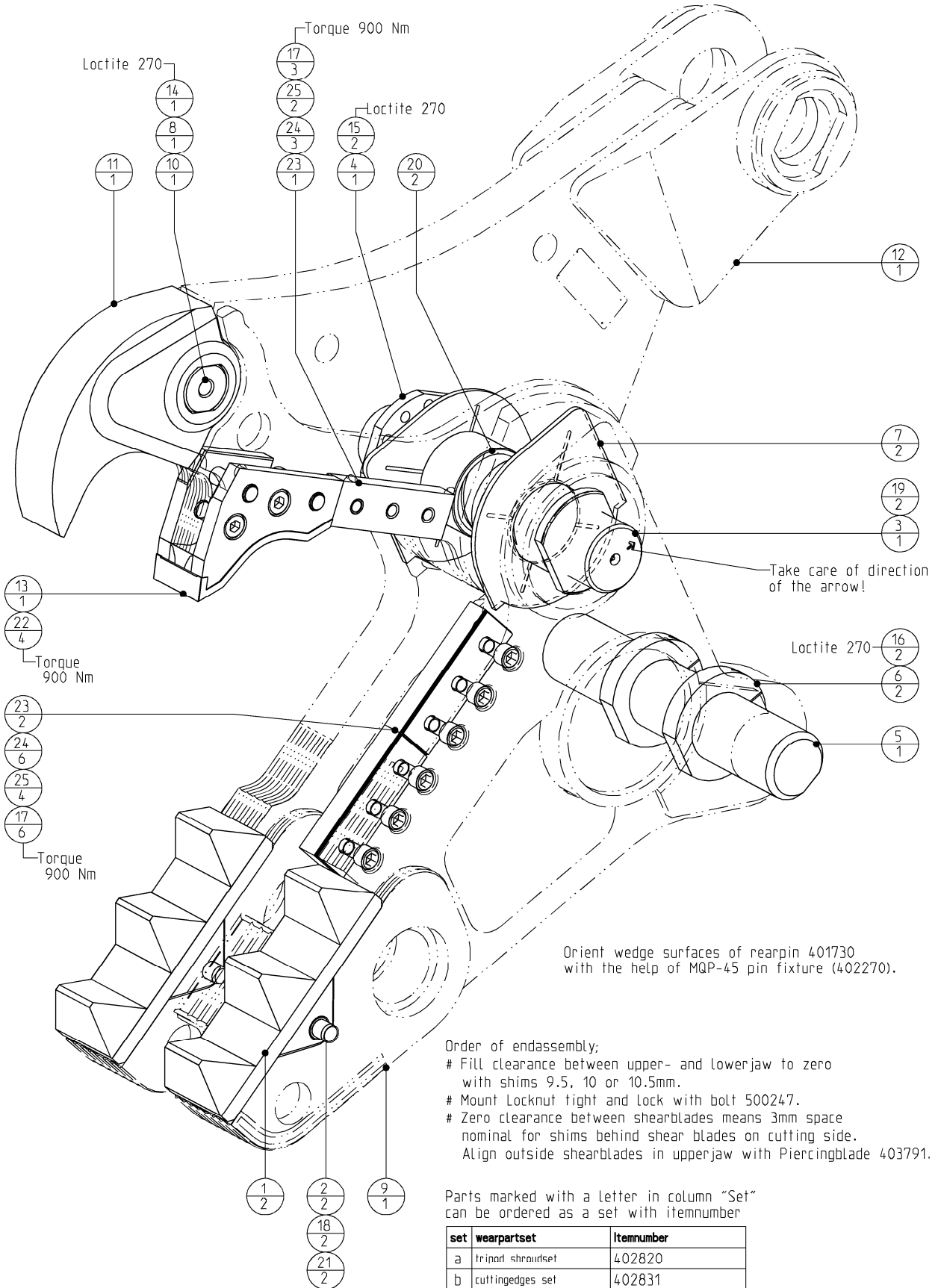
*Copyright Demolition and Recycling Equipment BV  
All rights strictly reserved.  
Reproductions to third parties in any form whatever is not permitted  
without written authority from the proprietor*

Partsbook\_403150-03.doc

# Multi Quick Processor

## Jaw Group

Page	<b>1</b>	of	<b>2</b>
Date	<b>April 2009</b>		
Product type	<b>MQP-45-C</b>		
Number	<b>MQP45C120CAA 403150-03</b>		



Order of endassembly;  
 # Fill clearance between upper- and lowerjaw to zero with shims 9.5, 10 or 10.5mm.  
 # Mount Locknut tight and lock with bolt 500247.  
 # Zero clearance between shearblades means 3mm space nominal for shims behind shear blades on cutting side.  
 Align outside shearblades in upperjaw with Piercingblade 403791.

Parts marked with a letter in column "Set" can be ordered as a set with itemnumber

set	wearpartset	Itemnumber
a	tripod shroudset	402820
b	cuttingedges set	402831
c	Piercing-tip / shroud set	403652
d	Rippertooth set	402842

<b>Multi Quick Processor</b>	<i>Page</i>	<b>2</b>	<i>of</i>	<b>2</b>
	<i>Date</i>	<b>April 2009</b>		
	<i>Product type</i>	<b>MQP-45-C</b>		
<b>Jaw Group</b>	<i>Number</i>	<b>MQP45C120CAA 403150-03</b>		

b	25	508016	Shim - straight	6
b	24	508015	Shim - straight	9
b	23	508014	Shear - blade straight	3
c	22	506023	Shoulder bolt	4
a	21	504053	O-ring	2
	20	500573	Bushing	2
	19	500560	Grease - nipple	2
a	18	500559	Tension bush - outside	2
b	17	500285	Hex. socket head cap screw	9
	16	500262	Hex. socket head cap screw	2
	15	500247	Hex. socket head cap screw	2
d	14	500144	Bolts Hexagon	1
c	13	403791	Piercing-blade asm.	1
	12	403151	Jaw - upper asm.	1
d	11	402922	Ripper - tooth	1
	10	402163	Lock - pin	1
	9	402118	Jaw - lower asm. machined	1
d	8	401965	Lock - cover	1
	7	401920	Spacer	2
	6	401764	Ring - clamp	2
	5	401730	Pin	1
	4	401729	Locknut M130x4	1
	3	401728	Pin	1
a	2	401311	Lock - pin	2
a	1	401194	Shroud - tripod	2
<b>SET</b>	<b>POS</b>	<b>PARTNUMBER</b>	<b>PARTNAME</b>	<b>QT</b>