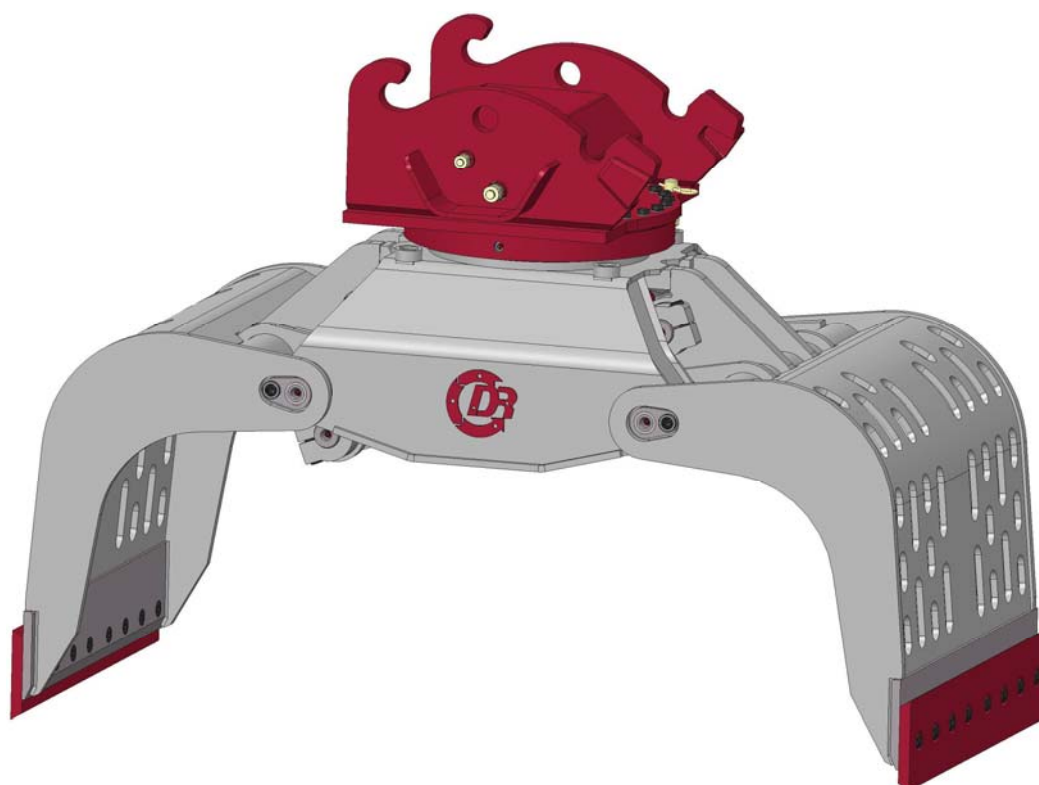




Partsbook
for
Sorting Grab
DRG-25-DN

Product	Part Number	Ref.
DRG-25-DN Serie 2	405620-03	



Partsbook_405620-03.docx

July 2015

Demarec Demolition and Recycling Equipment BV

Den Hoek 10, 5845 EL St. Anthonis, Netherlands

TEL. +31 (0) 485 442300
FAX +31 (0) 485 442120
INTERNET www.demarec.com
E-MAIL info@demarec.com

Sorting Grab

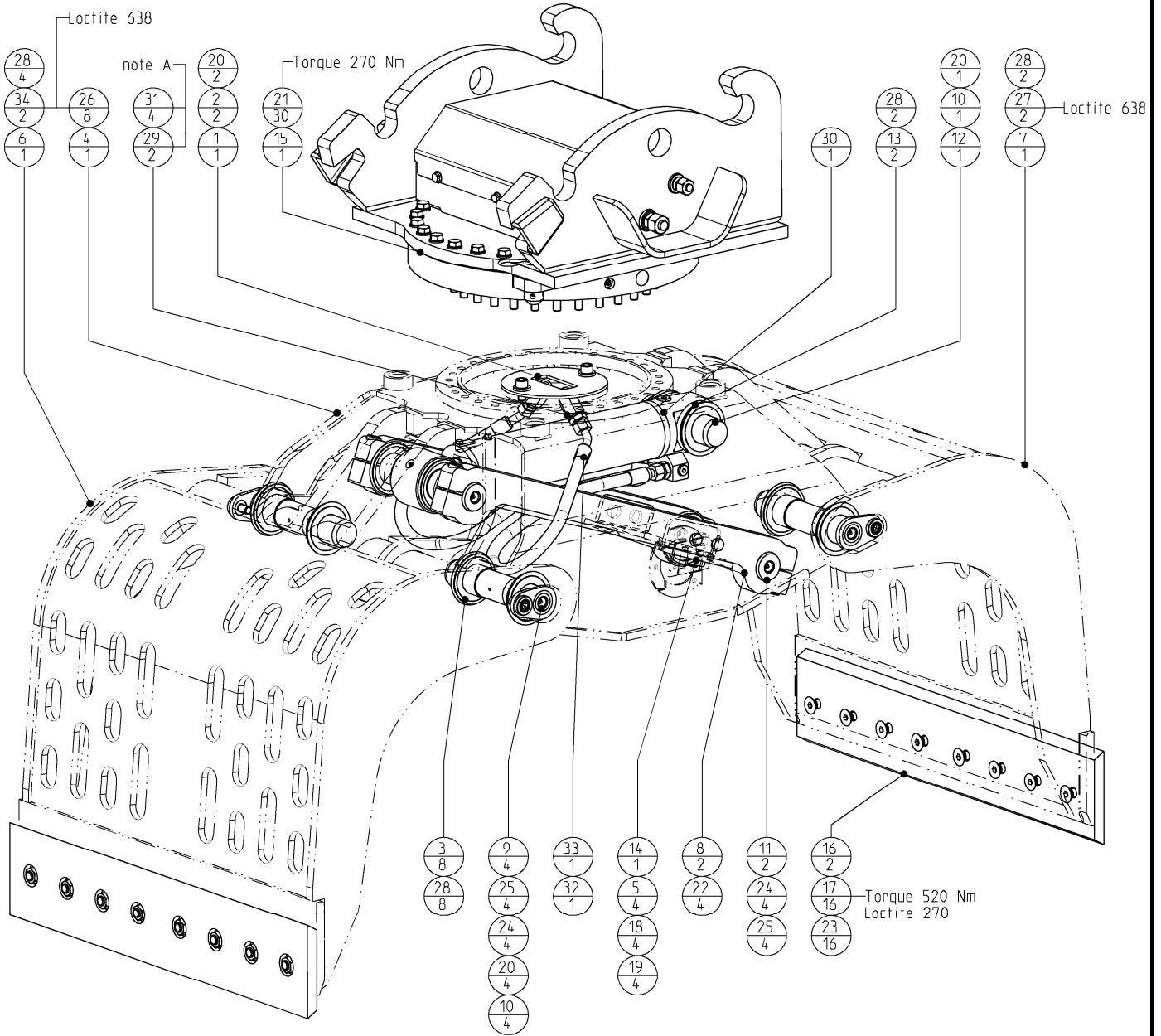
Page 1 of 16

Date July 2015

Product type DRG-25-DN

Grapple GP

Number 405620-03

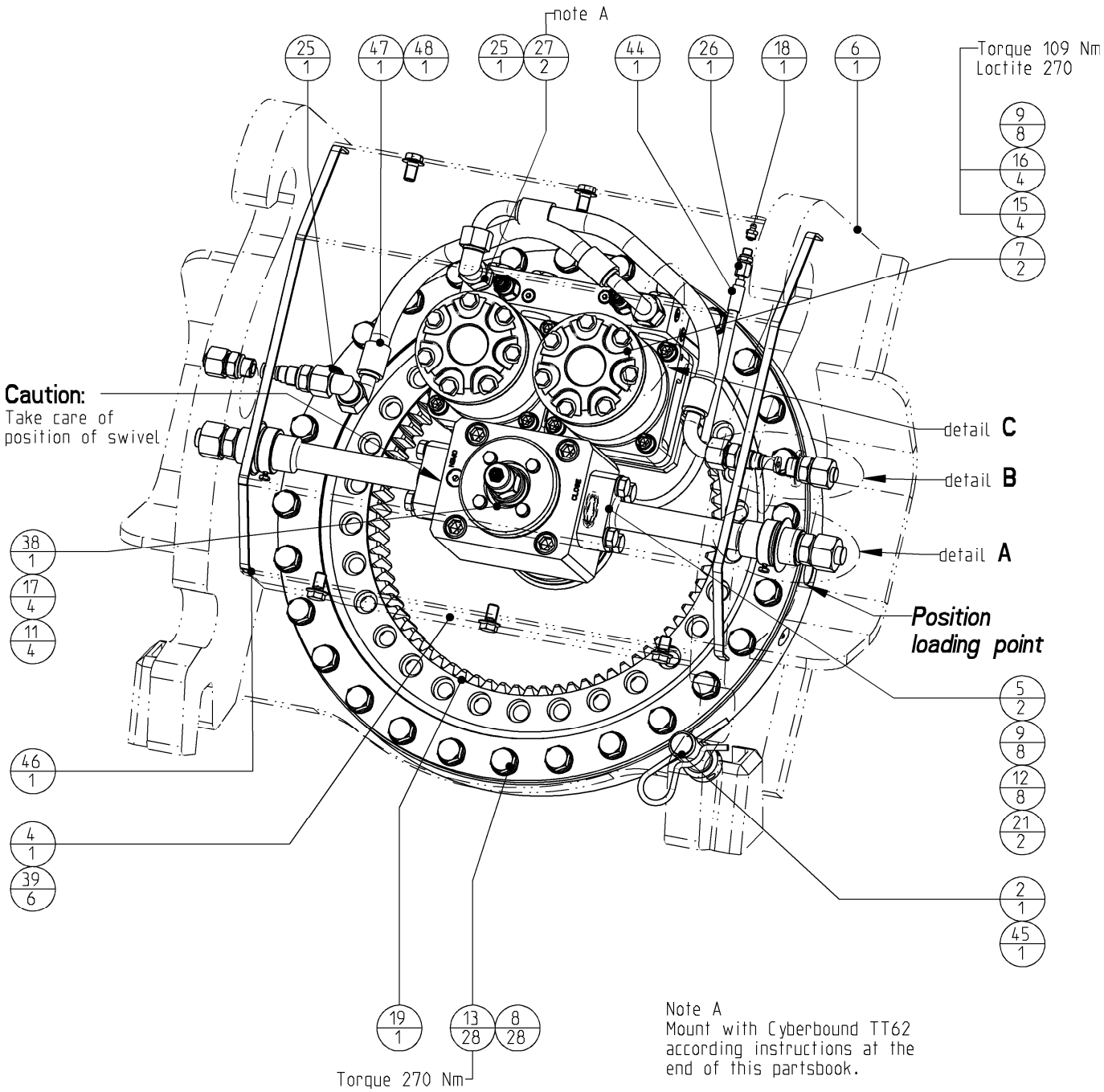


Note A
Mount with Cyberbound TT62
according instructions at the
end of this partsbook.

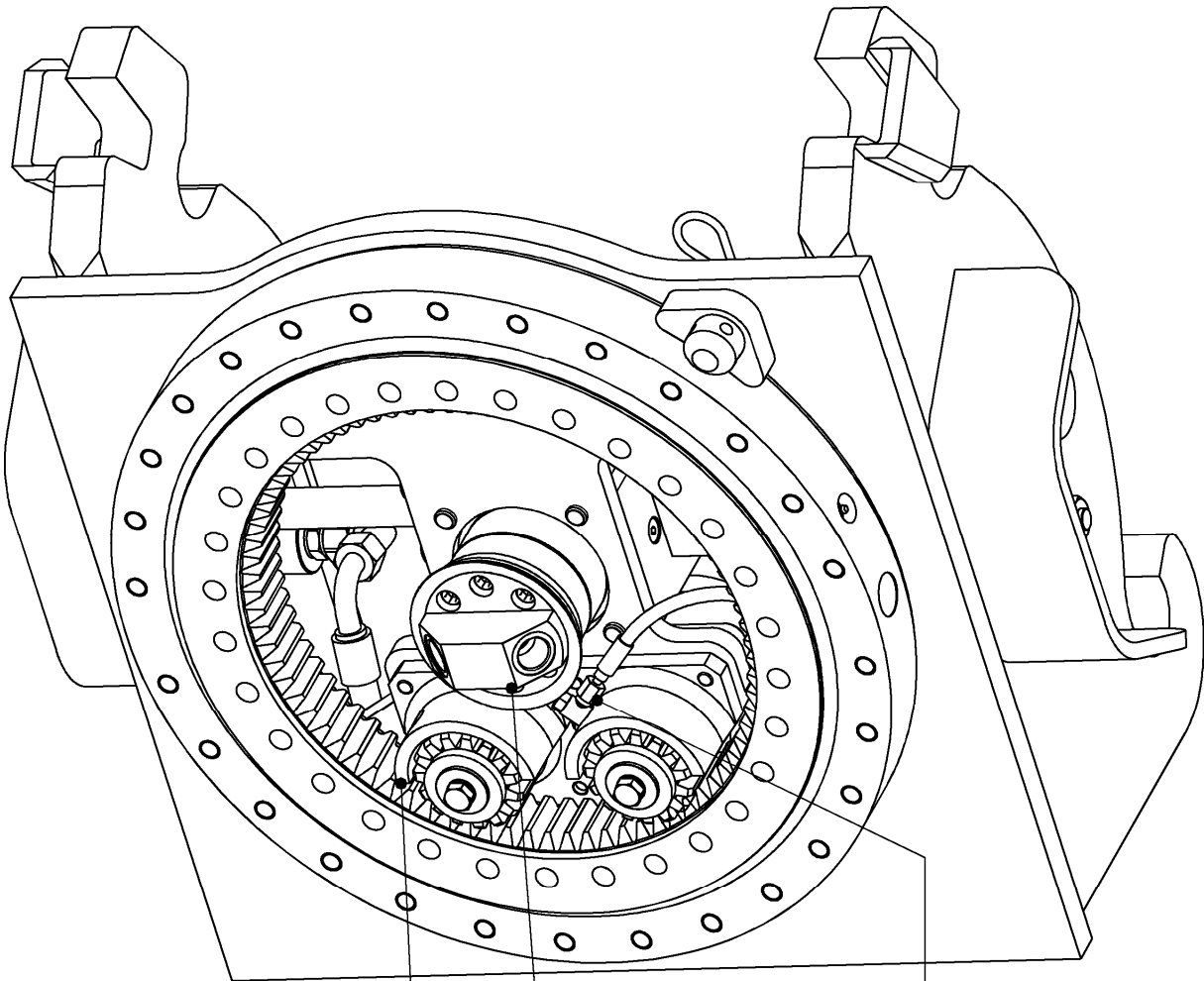
Parts marked with a letter in column "Set"
can be ordered as a set with itemnumber

Set	Wearpartset	Itemnumber
a	Cuttingedges set	404961

<h1>Sorting Grab</h1>	Page	3	of	16
	Date	July 2015		
	Product type	DRG-25-DN		
<h2>Rotatorhead GP</h2>	Number	405605-01		

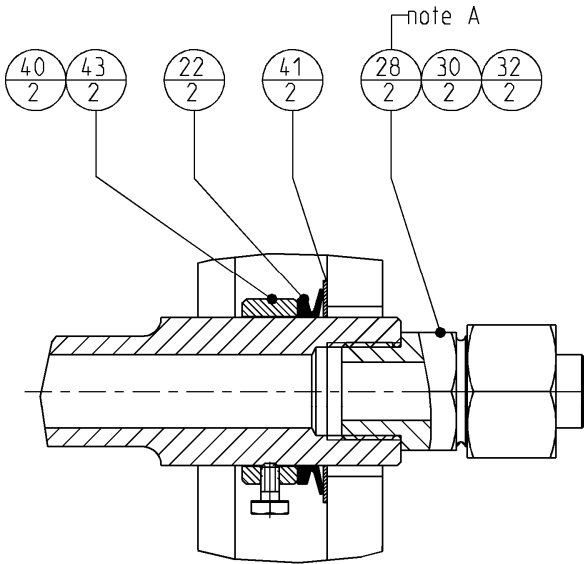


<h1>Sorting Grab</h1>	<i>Page</i>	4	<i>of</i>	16
	<i>Date</i>	July 2015		
	<i>Product type</i>	DRG-25-DN		
<h2>Rotatorhead GP</h2>	<i>Number</i>	405605-01		

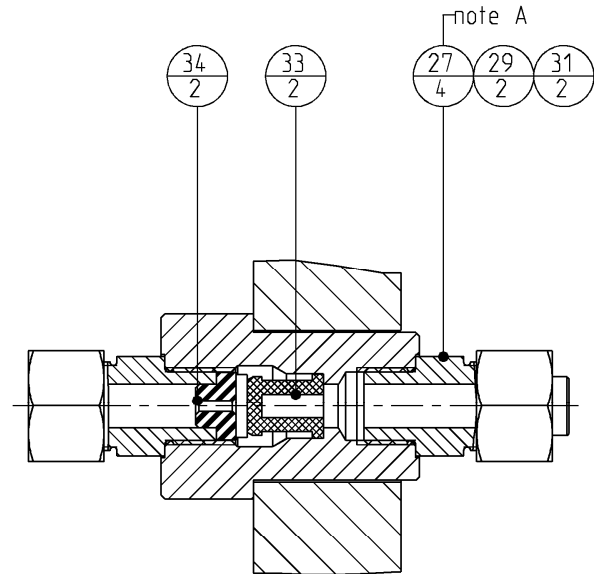


- 1
2
- 3
1
- 10
6
- 14
6
- 20
2
- 23
1
- 24
1

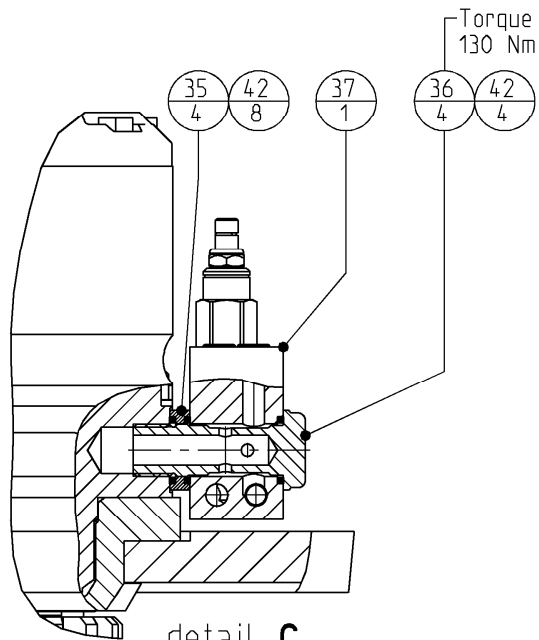
<h1>Sorting Grab</h1>	<i>Page</i>	5	of	16
	<i>Date</i>	July 2015		
	<i>Product type</i>	DRG-25-DN		
<h2>Rotatorhead GP</h2>	<i>Number</i>	405605-01		



detail **A**



detail **B**



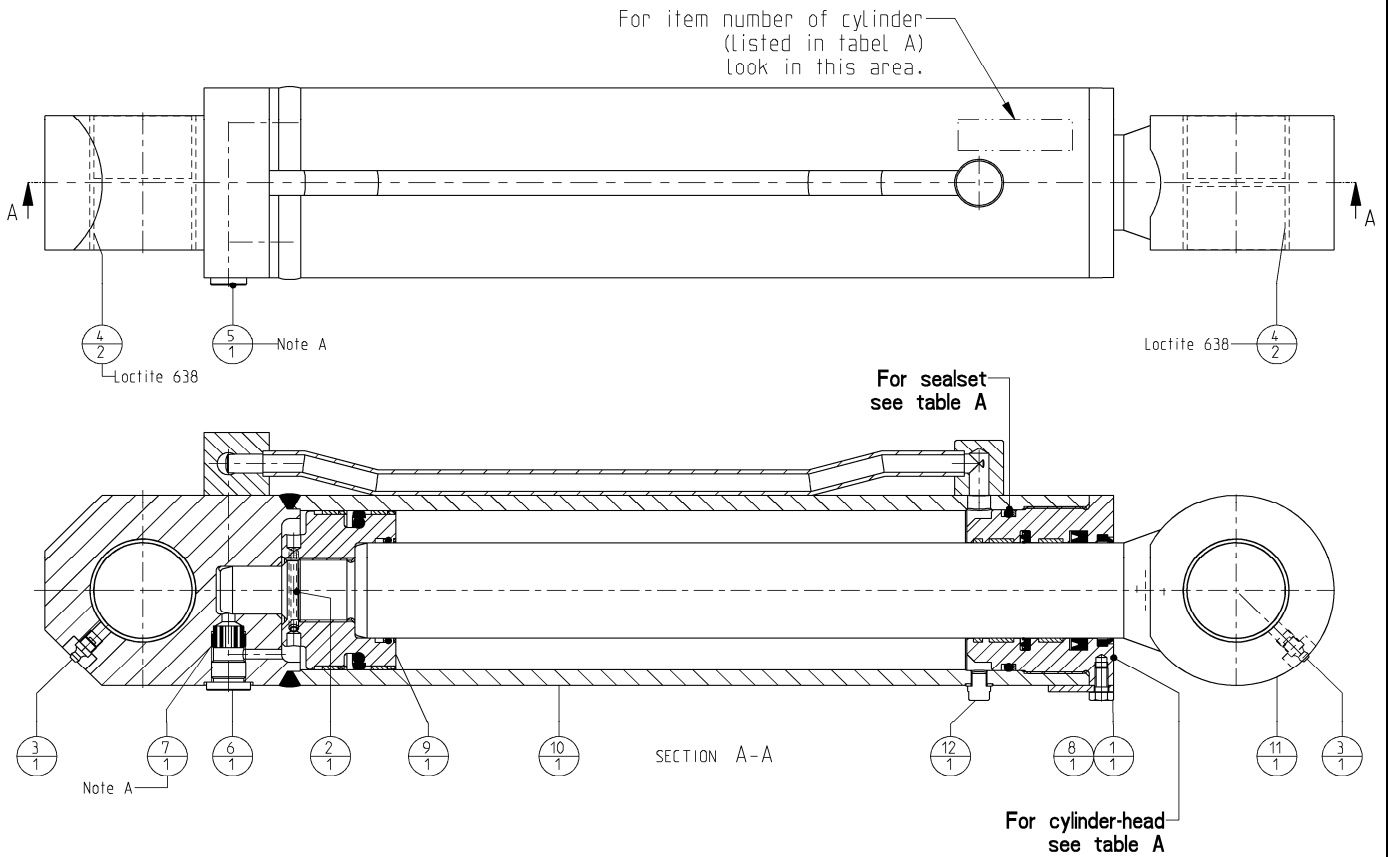
detail **C**

Sorting Grab	Page	6	of	16
	Date	July 2015		
	Product type	DRG-25-DN		
Rotatorhead GP	Number	405605-01		

--	--	--	--	--	--	--	--	--	--

POS	PARTNUMBER	REV	PARTNAME	QT
25	500673	01	Adjustable male stud elbow	2
24	500660	01	Banjo Coupling	1
23	500623	00	Seal	1
22	500620	00	Seal	2
21	500601	02	Seal - flange	2
20	500600	02	Seal - flange	2
19	500590	03	Stewing Ring, Internal Gear	1
18	500560	00	Grease - nipple	1
17	500268	00	Hex. socket head cap screw	4
16	500255	00	Hex. socket head cap screw	4
15	500253	00	Hex. socket head cap screw	4
14	500239	00	Hex. socket head cap screw	6
13	500150	00	Bolts Hexagon	28
12	500135	00	Bolts Hexagon	8
11	500078	00	Washer spring	4
10	500076	00	Washer spring	6
9	500068	00	Washer spring	16
8	500054	00	Washer HV	28
7	406190	00	Motor GP	2
6	405606	01	Rotatorhead asm. machined	1
5	404706	00	Flange - pipe	2
4	404705	01	Cover	1
3	401227	00	Swivel - flange	1
2	400217	03	Lock-pin	1
1	400063	02	Cap - Pinion	2
48	505155_RM405605_VG02	00	Hydr. hose asm. 1/2" SAE 100 R2AT	1
47	505155_RM405605_VG01	00	Hydr. hose asm. 1/2" SAE 100 R2AT	1
46	500631_RM404695	00	Seal	1
45	500504-2	00	Locking pin (hair-pin)	1
44	296012429_RM405605	00	Hydr. hose asm. 3/16" SAE 100R1AT	1
43	773058356	A	Ring - adjusting	2
42	257066194	A	Kantseal	12
41	170058298	A	Ring - shim	2
40	120014016	00	Bolts Hexagon	2
39	120013834	00	Bolts Hexagon - self locking	6
38	502955	08	Swivel GP	1
37	502910	03	Valve GP	1
36	502907	02	Banjo bolt	4
35	502903	02	Spacer	4
34	502001	03	Drossel - ring	2
33	502000	00	Filter	2
32	500946	00	Blanking plug	2
31	500945	00	Blanking plug	2
30	500941	00	Nut coupling	2
29	500940	00	Nut coupling	2
28	500694	01	Male stud coupling	2
27	500693	01	Male stud coupling	6
26	500690	00	Male stud coupling	1

<h1>Sorting Grab</h1>	<i>Page</i>	7	of	16
	<i>Date</i>	July 2015		
	<i>Product type</i>	DRG-25-DN		
<h1>Cylinder GP</h1>	<i>Number</i>	502445-01		



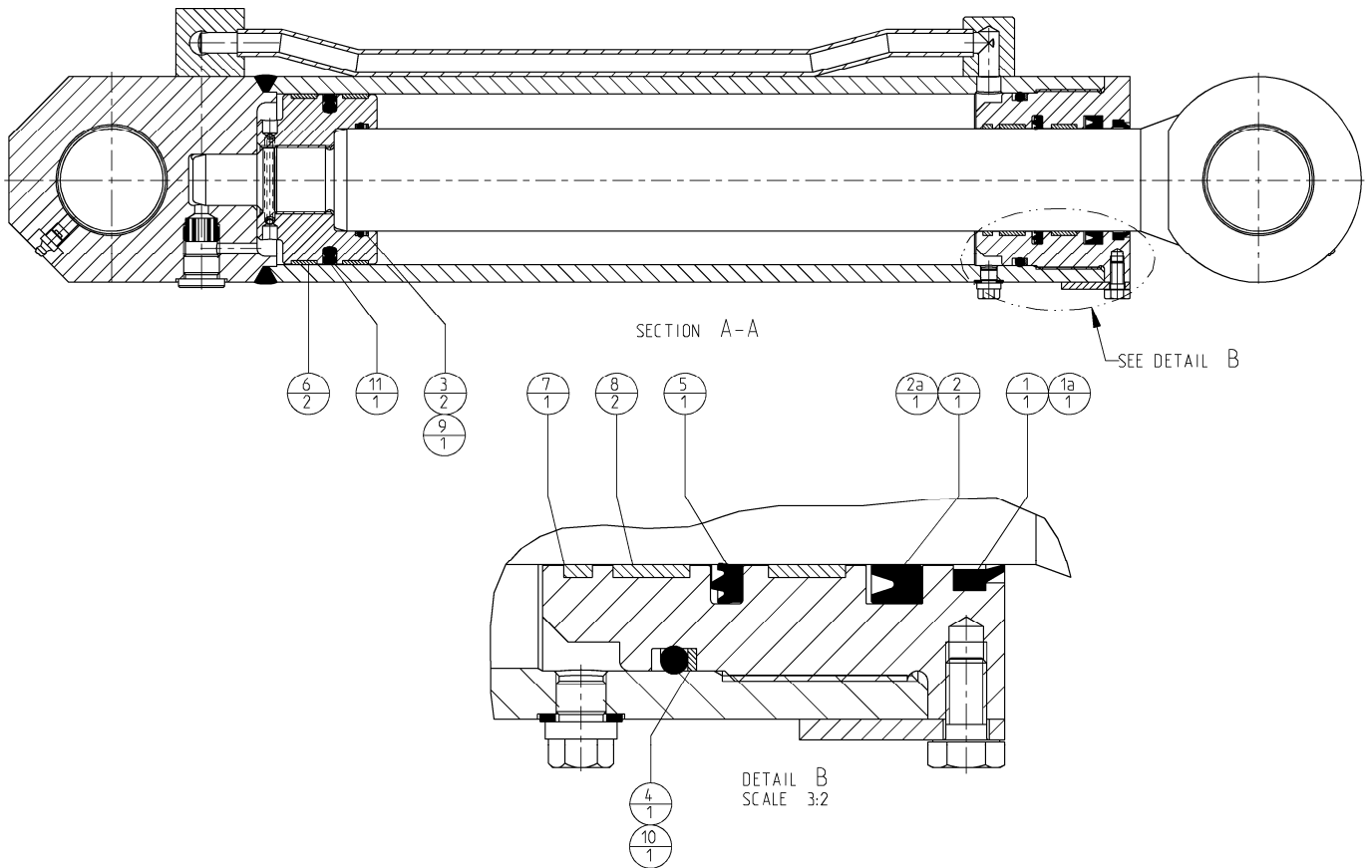
sealset and cylinderhead			
Item no. (on cylinder)	Sealset (service only)	Cylinder-head	Remark
502445 - 00 and up	504092	502441	
500870 - 00 and up	504092	500777	502441 replaces 500777

Note A
Mount with Cyberbound TT62
according instructions at the end
of this partsbook.

table A

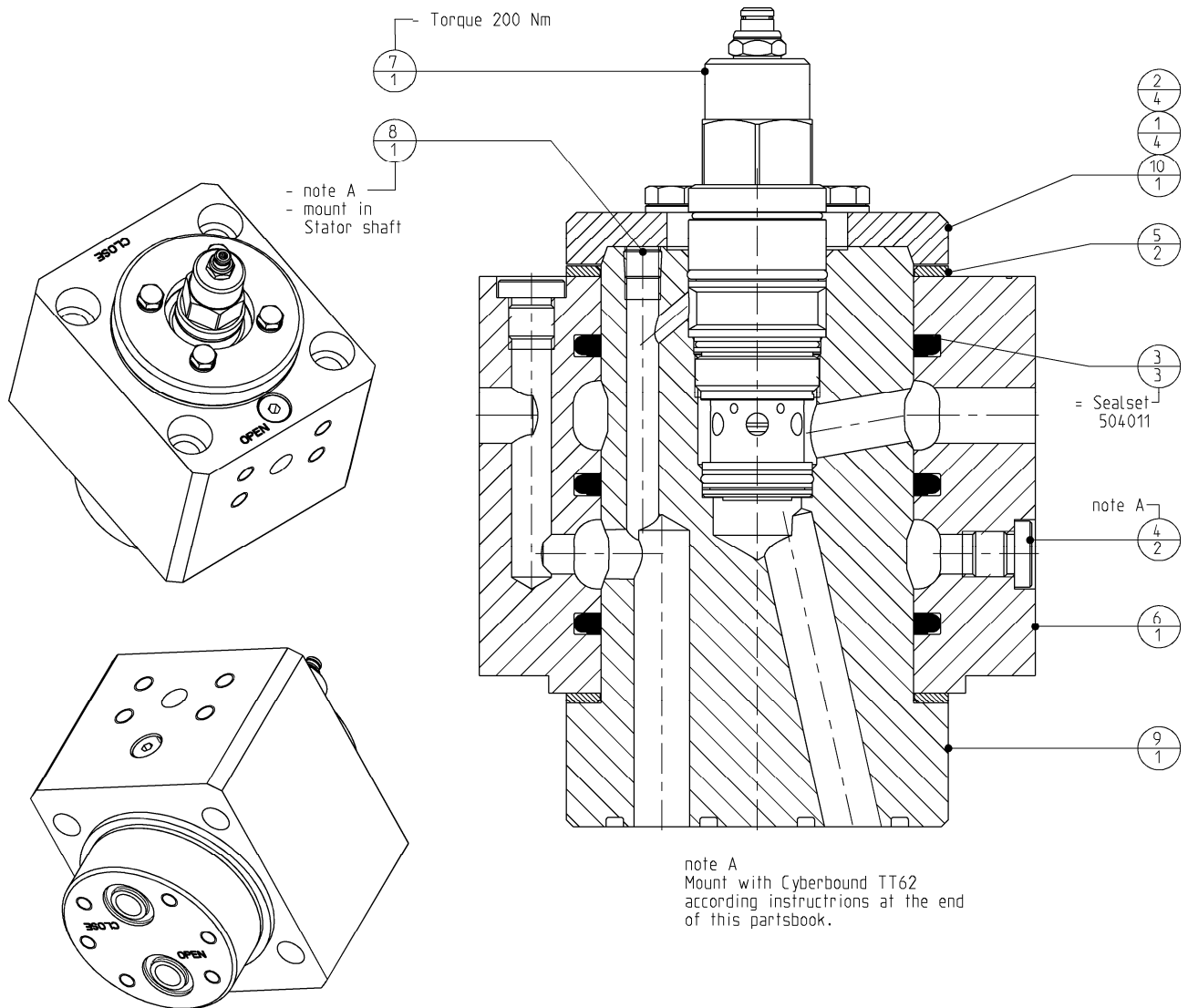
13	504027	Seal	1
12	503513	Blanking screw	1
11	500874	Cylinder - rod asm.	1
10	500871	Cylinder - house asm.	1
9	500863	Piston	1
8	500859	Lockplate	1
7	500752	Non-return valve	1
6	500652	Blanking end	1
5	500651	Blanking end	1
4	500583	Bushing	4
3	500560	Grease - nipple	2
2	500522	Springtype straight pin	1
1	500102	Bolts Hexagon	1
POS	PARTNUMBER	PARTNAME	QT

Sorting Grab	Page	8	of	16
	Date	July 2015		
	Product type	DRG-25-DN		
Sealset	Number	504092-01		



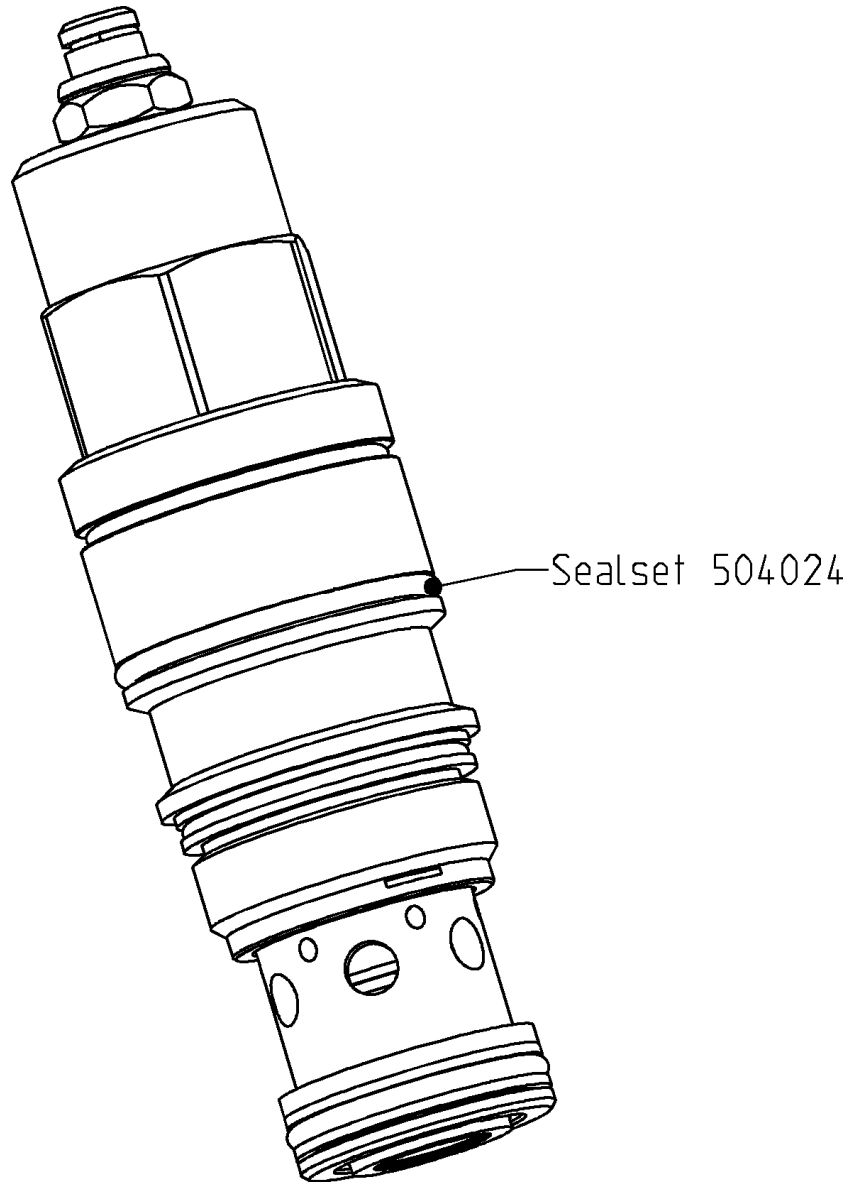
2a	RSK300600	Turcon Stepseal 2K	1
1a	UWRP606806	Scraper UWR-derivative	1
POS	PARTNUMBER	PARTNAME	QT
Additional seals for service			
11	PT0401000	Turcon Glydring T	1
10	ORAR00342	O-ring	1
9	ORAR00229	O-ring	1
8	GR73A0600	Bearing Luytex	2
7	GR6500600	Bearing Turcite	1
6	GP7301000	Bearing Luytex	2
5	BU006100656	Rod seal GP	1
4	BU4300924	Back-up ring	1
3	BU2700600	Back-up ring	2
2	B36074P6000	U-Cup	1
1	504088	Scraper	1
POS	PARTNUMBER	PARTNAME	QT

<h1>Sorting Grab</h1>	Page	9	of	16
	Date	July 2015		
	Product type	DRG-25-DN		
<h1>Swivel GP</h1>	Number	502955-08		

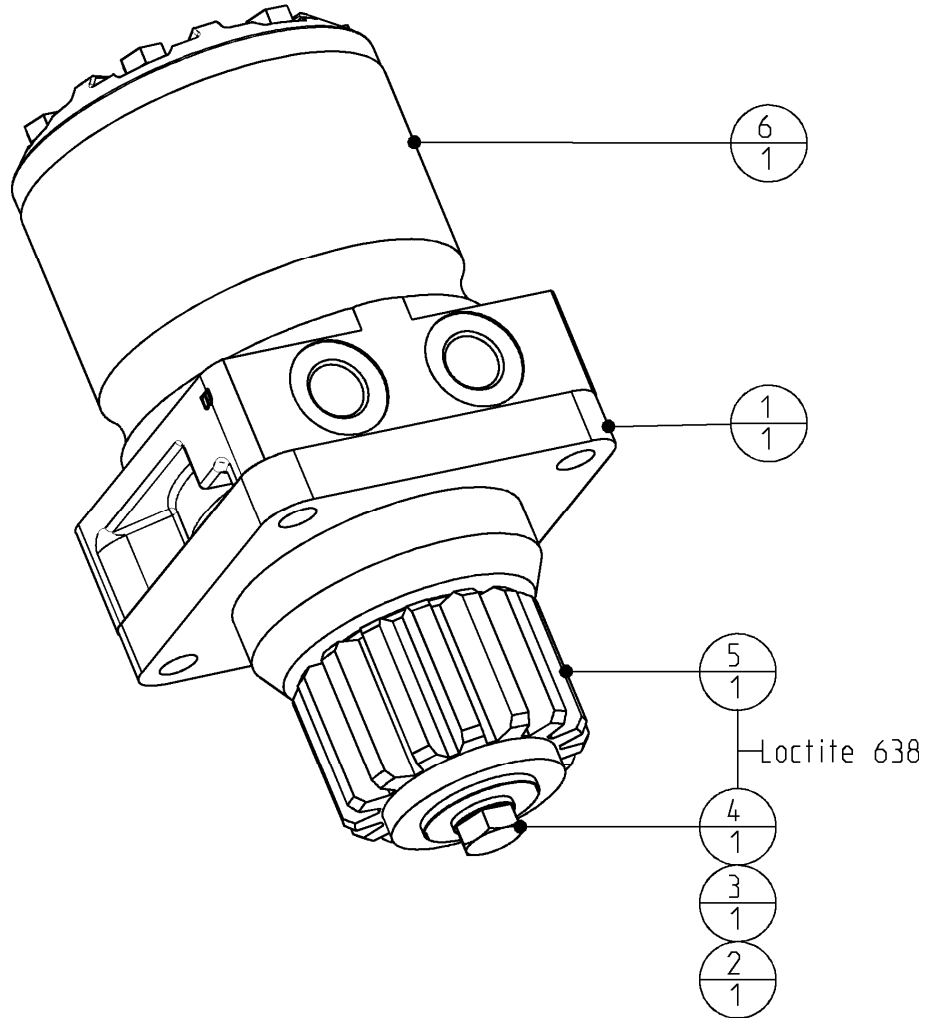


10	502957	Cover	1
9	502956	Stator	1
8	502123	Hex.socket plug-tapered	1
7	501380	Cartridge - counterbalance	1
6	500833	Housing	1
5	500832	Axial ring	2
4	500650	Blanking end	2
3	500630	Rotary Sealing set	3
2	500105	Bolts Hexagon	4
1	500066	Washer spring	4
POS	PARTNUMBER	PARTNAME	QT

Sorting Grab	Page	10	of	16
	Date	July 2015		
	Product type	DRG-25-DN		
Counter balance valve	Number	501380-02		

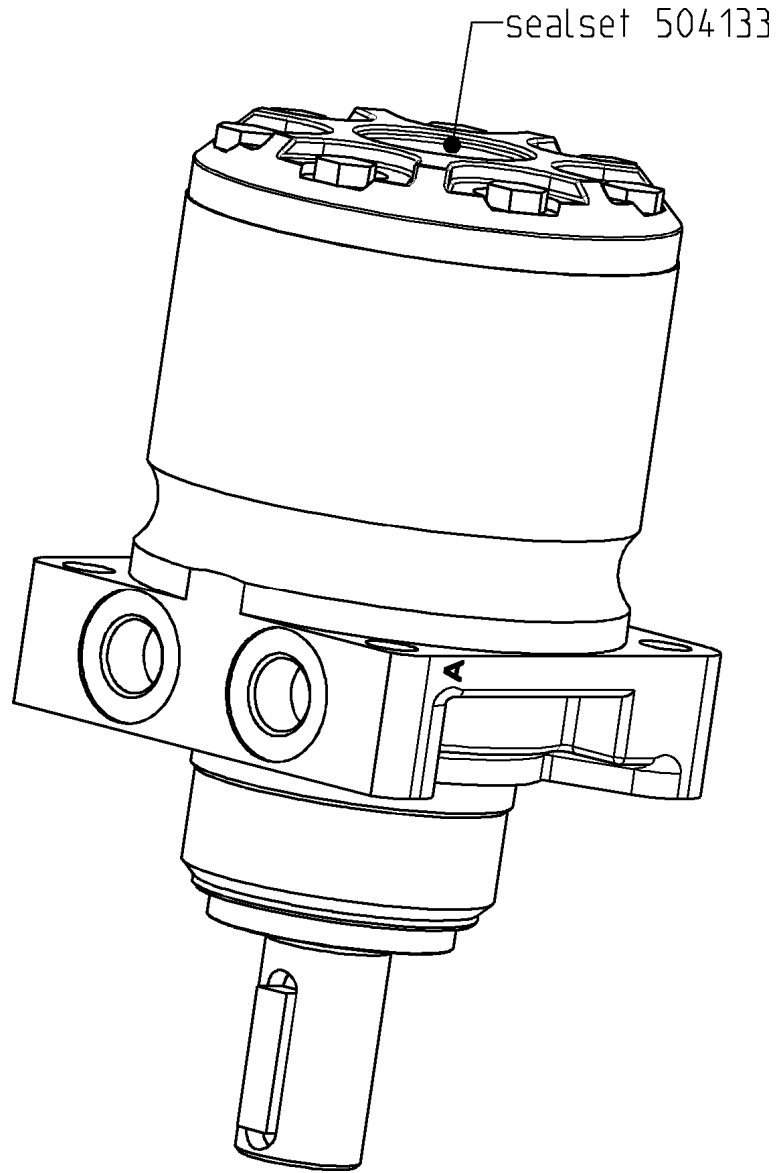


Sorting Grab	Page	11	of	16
	Date	July 2015		
	Product type	DRG-25-DN		
Hydraulic motor GP	Number	406190-00		

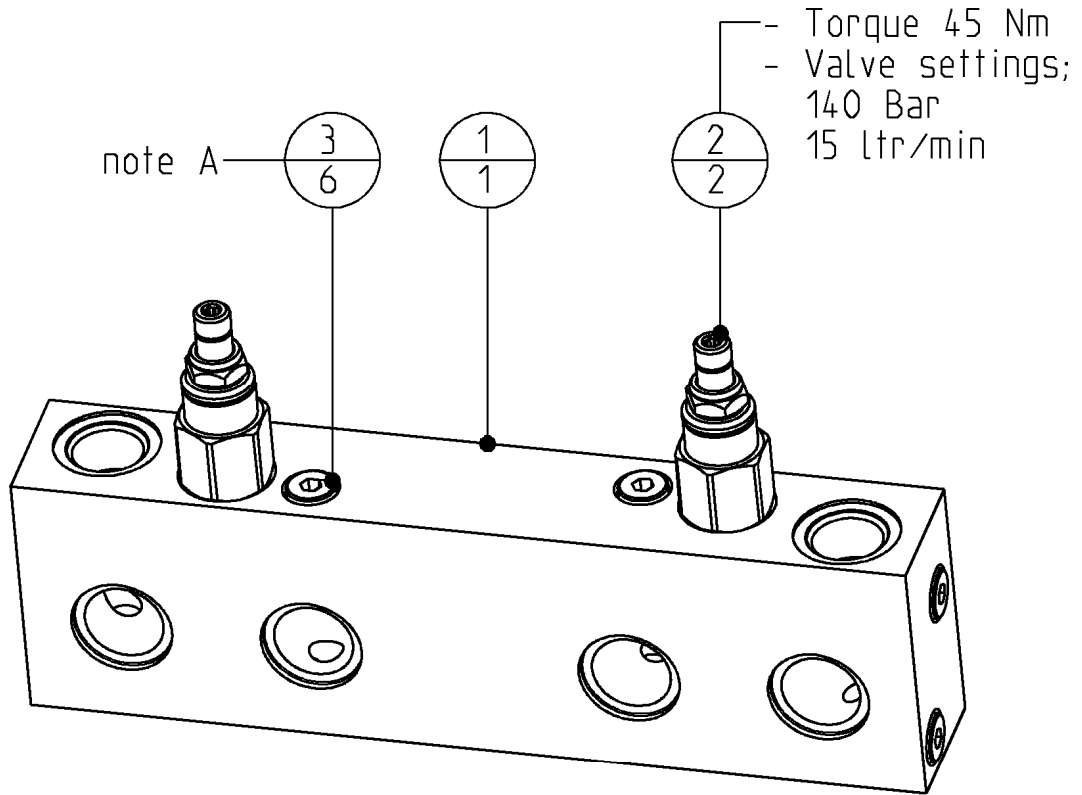


6	501375	Hydraulic motor	1
5	500851	Pinion	1
4	500131	Bolts Hexagon	1
3	500068	Washer spring	1
2	500062	Washer car	1
1	406191	Motorflange	1
POS	PARTNUMBER	PARTNAME	QT

Sorting Grab	Page	12	of	16
	Date	July 2015		
	Product type	DRG-25-DN		
Hydraulic motor	Number	501375-00		



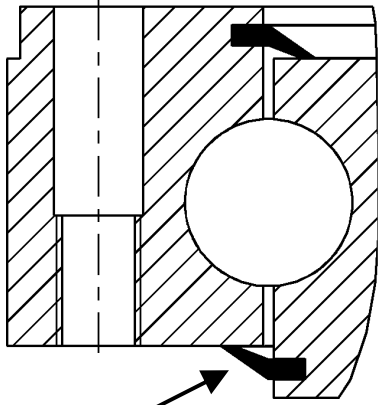
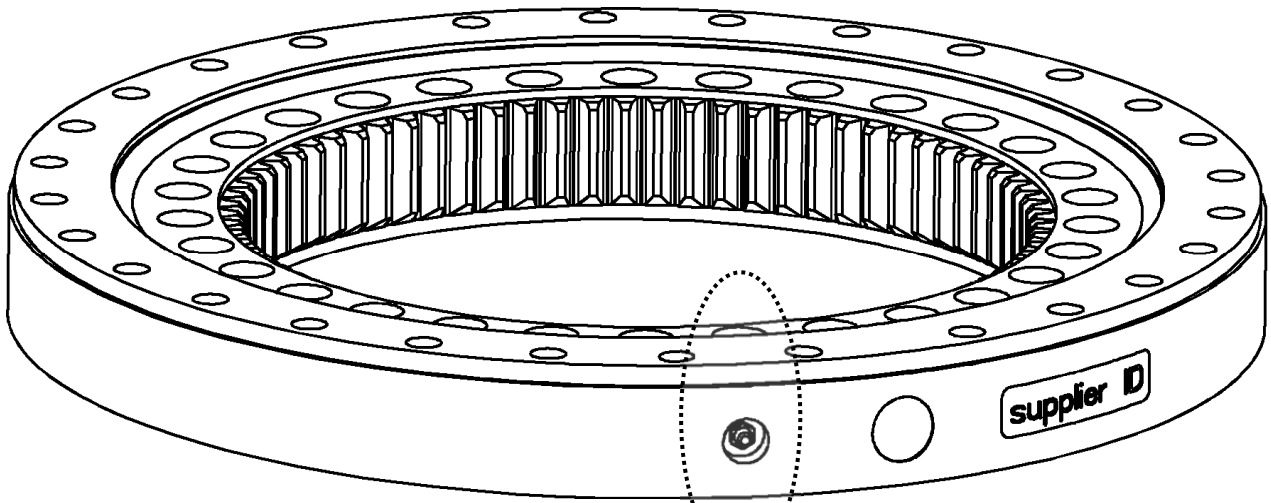
Sorting Grab	Page	13	of	16
	Date	July 2015		
	Product type	DRG-25-DN		
Valve Gp	Number	502910-03		



Note A
 Mount with Cyberbound TT62
 according instructions at the end
 of this partsbook.

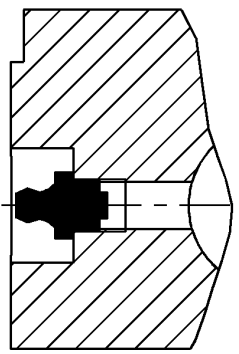
3	290066544	Blanking end ISO 6149	6
2	271060533	Cartridge- relief valve	2
1	502911	Baseplate	1
POS	PARTNUMBER	PARTNAME	QT

Sorting Grab	Page	14	of	16
	Date	July 2015		
	Product type	DRG-25-DN		
Slewing ring	Number	500590-03		



**2x seal 256060894
mount with Loctite 480**

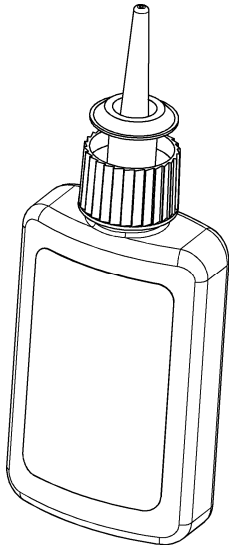
**2x grease nipple
500560**



Sorting Grab	<i>Page</i>	15	<i>of</i>	16
	<i>Date</i>	July 2015		
	<i>Product type</i>	DRG-25-DN		
Additional parts	<i>Number</i>	n.a.		

Chemical lock

195050158	Cyberbond TT62 Pumpgel	1
506018	Loctite 480 Flacon 20 gr	1
506017	Loctite 638 Flacon 50 ml	1
506016	Loctite 270 Flacon 50 ml	1
PARTNUMBER	PARTNAME	QT



Sorting Grab	<i>Page</i>	16	of	16
	<i>Date</i>	July 2015		
	<i>Product type</i>	DRG-25-DN		
Instructions	<i>Number</i>	n.a.		

Mounting instructions for Cyberbound TT 62

This instruction shall guarantee that all hydraulic fittings and cartridges will be mounted and glued in correctly.

Procedure:

Clean and degrease thoroughly all components with a special cleaner for anaerobic adhesives (e.g. Loctite cleaner 7063) or acetone.

Apply on the outside thread only a bead of Cyberbond TT62 pump gel to approx. 2/3 of the girth of the second thread for fittings up to a diameter of 20mm or to the entire girth for fittings with a diameter larger than 20mm.



Cyberbound
TT 62



Clean from adhesive residues pressed out from the bore hole after fitting.

ATTENTION. The sealings shall be free of adhesive residues!

Tighten fittings with given fastening torques.

Standard torque values for bolts (when not indicated)

Thread size	Torque (Nm) for quality		
	8.8	10.9	12.9
M8	22,5	32,4	38,7
M10	45,0	63,0	75,6
M12	77,4	109,0	131,0
M16	194,0	270,0	324,0
M20	369,0	522,0	630,0
M24	639,0	900,0	1080,0
M27	945,0	1305,0	1575,0
M30	1260,0	1800,0	2160,0



DEMAREC AND KINSHOFER WORLDWIDE

Netherlands:

Demarec

Demolition and Recycling Equipment BV

Den Hoek 10

5845 EL St. Anthonis

Netherlands

TEL. +31 (0) 485 442300

FAX +31 (0) 485 442120

Email:

info@demarec.com

United Kingdom:

Kinshofer UK Ltd.

4 Milton Industrial Court,

Horsfield Way, Bredbury

Stockport, Cheshire, SK6 2TA

United Kingdom

TEL. +44 (0) 161 - 406 7046

FAX +44 (0) 161 - 406 7014

Email:

sales@kinshofer.co.uk

France:

Kinshofer France S.A.R.L.

B.P. 20100

67213 Obernai Cedex

France

TEL. +33 (0) 388 39 55 00

FAX +33 (0) 388 79 06 75

Email:

info@kinshofer.fr

Czech Republic:

Kinshofer CZ s.r.o.

Cs. Legii 568

37810 Ceske Velenice

Czech Republic

TEL. +420 384 – 795 110

FAX +420 384 – 795 120

Headquarters:

Germany:

Kinshofer GmbH

Hauptstrasse 76

83666 Waakirchen

Germany

TEL. +49 (0) 8021 – 88 99 0

FAX +49 (0) 8021 – 88 99 37

Email:

info@kinshofer.com

North America:

Kinshofer North America

5040 Mainway Drive, Unit 11

Burlington, ON L7L 7G5

Canada

TEL. +1 (905) 335 2856

FAX +1 (905) 335 4529

Toll Free in Canada and USA:

TEL. 1-800-268-9525

Email:

sales-northamerica@kinshofer.com

Finland:

Kinshofer Aponox Oy

Terminaalitie 10

13430 Hämeenlinna

Finland

TEL. +358 (0)75 7540 200

FAX +358 (0)75 7540 210

Beijing:

Darda Kinshofer

Construction Machinery Co. Ltd.

Unit #306, Landmark Tower 2

8 Dongsanhuan Road

Beijing 100004

China

TEL. +86 (10) 6590 6422

FAX +86 (10) 6590 6423

Email:

info@darda.com.cn