

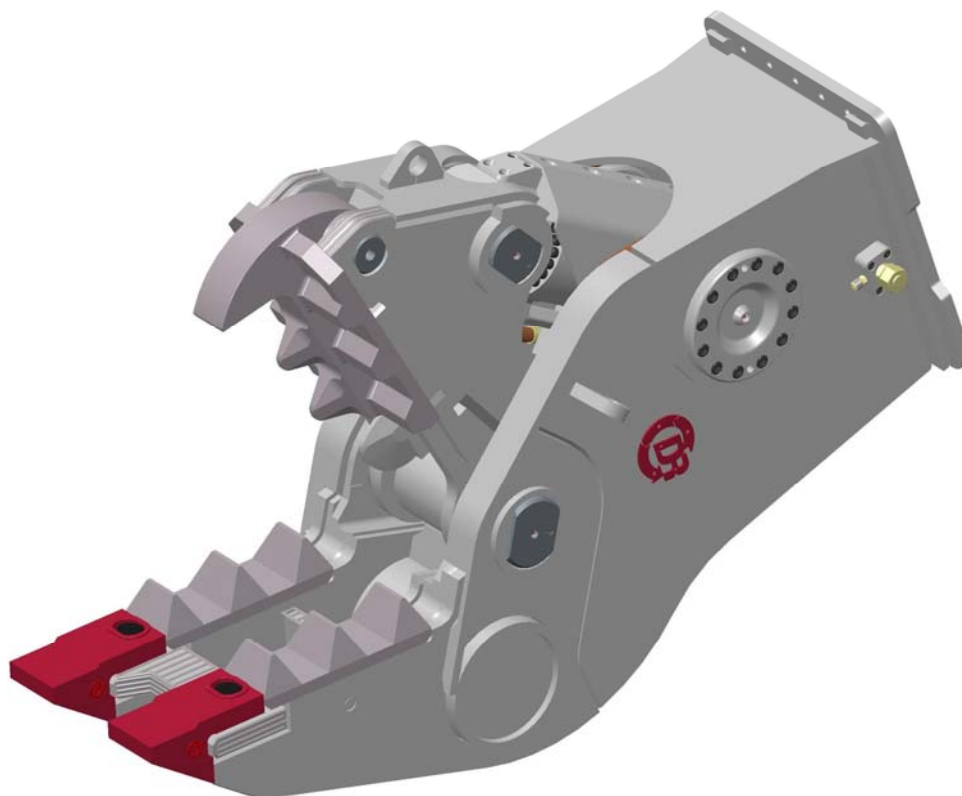


Partsbook

for

Static Pulverizer DSP-30 Extreme

Product	Part Number	Ref.
DSP-30 Extreme Serie 2	DSP30H090BAA5	



Partsbook_dsp30h090baa5-a.docx

August 2014

Demarec Demolition and Recycling Equipment BV

Den Hoek 10, 5845 EL St. Anthonis, Netherlands

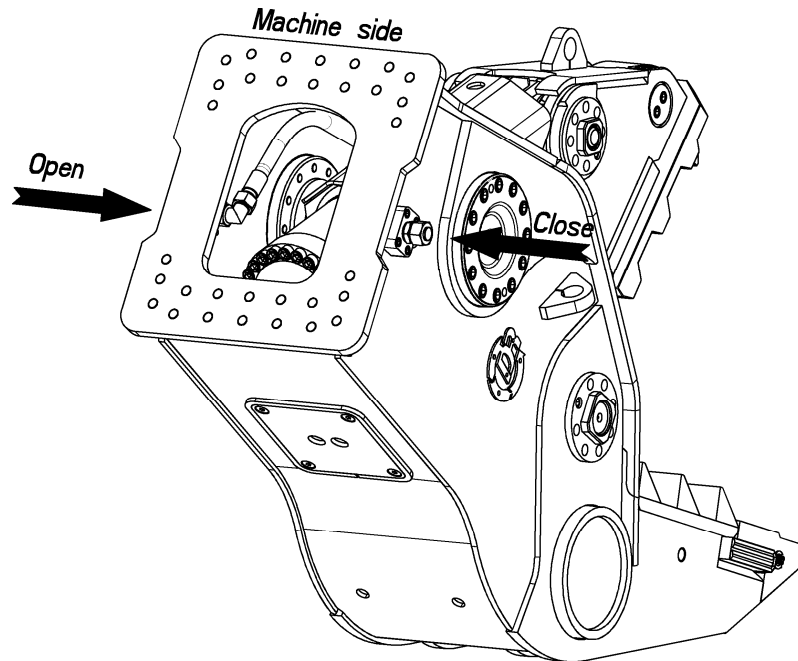
TEL.
FAX

+31 (0) 485 442300
+31 (0) 485 442120

INTERNET
E-MAIL

www.demarec.com
info@demarec.com

<h1>Static Pulverizer</h1>	Page	2	of	16
	Date	August 2014		
	Product type	DSP-30 Extreme		
<h2>Housing GP</h2>	Number	DSP30H090BAA5-A		

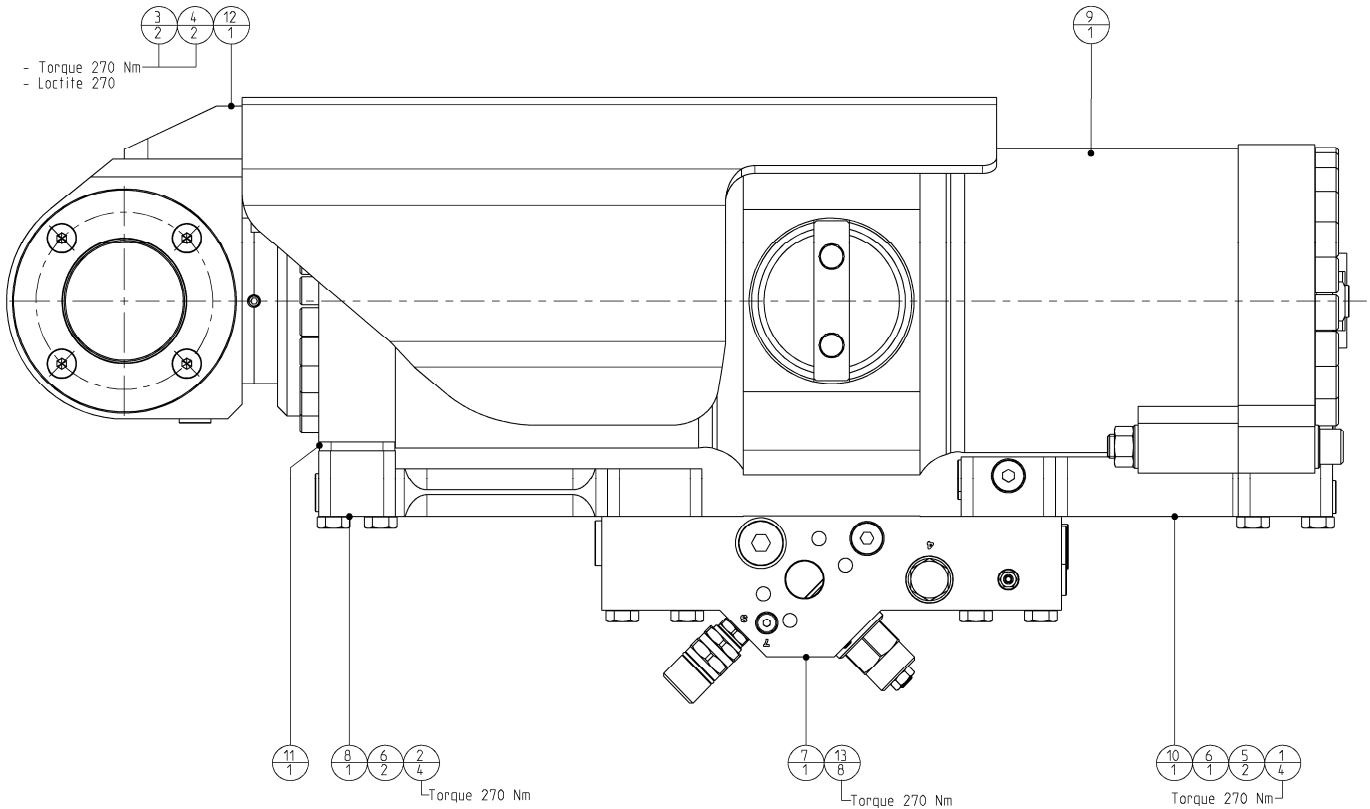


						25	500258	Hex. socket head cap screw	4
						24	500250	Hex. socket head cap screw	8
					a	23	500201	Bolts Hexagon	2
						22	500134	Bolts Hexagon	8
						21	500077	Washer spring	8
	45	505153_RH_RM_DSP-30	Hydr. hose asm. 3/4" SAE 100R10	1	a	20	500058	Washer HV	2
	44	505153_LH_RM_DSP-30	Hydr. hose asm. 3/4" SAE 100R10	1		19	500053	Washer HV	8
	43	506051	Hex. socket head cap screw	8	a	18	500009	Nut Hexagon	2
c	42	504053	O-ring	2	b	17	402940	Teethplate 30 serie	1
	41	503649	SAE Reducer flange	2		16	402916	Bearing housing	2
	40	503503	SAE split - flange	4		15	402481	Spacer	2
	39	501290	Hydraulic Cylinder & Valve GP	1		14	401477	Jaw asm. machined	1
	38	500948	Blanking plug	2		13	401468	Housing asm machined	1
	37	500943	Nut coupling	2		12	401444	Lock - cover	1
	36	500740	Test-point	2		11	401443	Pin	1
	35	500698	Male stud coupling	2		10	401441	Locknut	1
	34	500695	Male stud coupling	2		9	401440	Pin	1
	33	500675	Adjustable male stud elbow	2		8	401438	Pin	1
	32	500603	O-ring	2		7	401437	Ring	2
	31	500601	O-ring	2		6	401416	Cover	1
	30	500572	Bushing	2		5	401313	Locknut	1
	29	500560	Grease - nipple	5	c	4	401311	Lock - pin	2
c	28	500559	Tension bush - outside	2		3	401200	Flange	2
	27	500358	Flat countersunk head cap screws	4	c	2	401194	Shroud - tripod	2
	26	500275	Hex. socket head cap screw	24	a	1	401193	Tooth - scraper	2
					Set	POS	PARTNUMBER	PARTNAME	QT

Static Pulverizer

Page	3	of	16
Date	August 2014		
Product type	DSP-30 Extreme		
Number	501290-00		

Cylinder & Valve GP

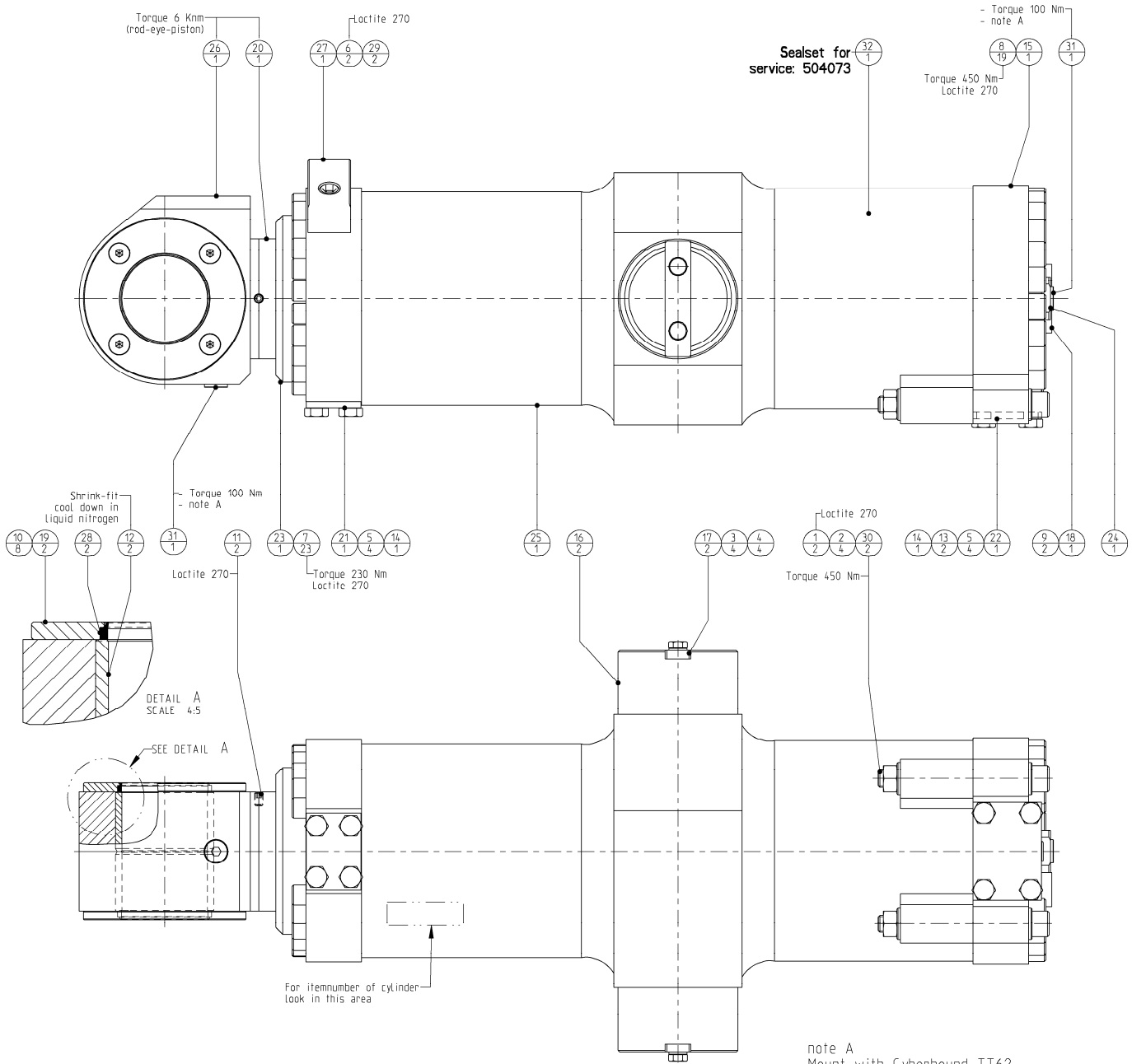


13	120013886	Bolts Hexagon	8
12	502708	Protection cap asm.	1
11	502688	Flange - intermed.	1
10	502686	Flange - bottom GP	1
9	502491	Hydraulic Cylinder GP	1
8	502386	Flange - rod GP	1
7	501240	Valve GP DemaPower 2.0	1
6	500601	O-ring	3
5	500600	O-ring	2
4	500265	Hex. socket head cap screw	2
3	500262	Hex. socket head cap screw	2
2	500150	Bolts Hexagon	4
1	500149	Bolts Hexagon	4
POS	PARTNUMBER	PARTNAME	QT

Static Pulverizer

Page	4	of	16
Date	August 2014		
Product type	DSP-30 Extreme		
Number	502491-02		

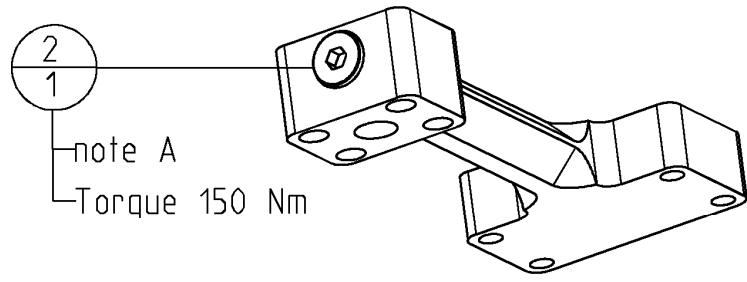
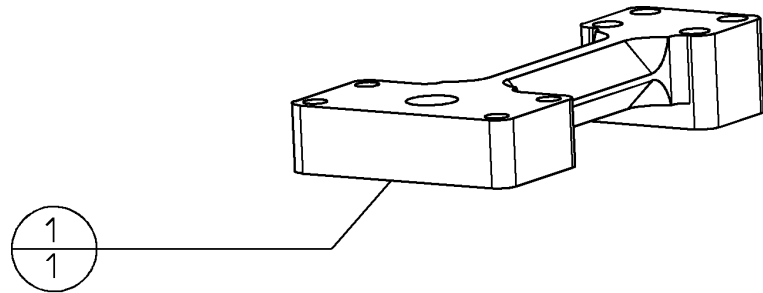
Cylinder GP



Static Pulverizer	<i>Page</i>	5	<i>of</i>	16
	<i>Date</i>	August 2014		
	<i>Product type</i>	DSP-30 Extreme		
Cylinder GP	<i>Number</i>	502491-02		

32	502335_RM502490	Seal - set	1
31	290058184	Blanking end ISO 6149	2
30	506048	Hex. socket head cap screw	2
29	506033	Lockwasher - Schnorr	2
28	504021	Scraper	2
27	502713	Support - protection cap	1
26	502707	Rod - eye	1
25	502552	Cylinder - house asm.	1
24	502384	Bolt - banjo asm.	1
23	502333	Cylinder - head	1
22	502258	Blanking cover	1
21	502251	Blanking cover	1
20	502208	Rod - tube	1
19	502127	Spacer	2
18	502112	Lockplate	1
17	502050	Lockplate	2
16	502049	Bearing	2
15	501291	Bottom asm.	1
14	500601	O-ring	2
13	500600	O-ring	2
12	500571	Bushing	2
11	500417	Hex. socket set screw	2
10	500347	Flat countersunk head cap screws	8
9	500333	Flat countersunk head cap screws	2
8	500277	Hex. socket head cap screw	19
7	500267	Hex. socket head cap screw	23
6	500260	Hex. socket head cap screw	2
5	500144	Bolts Hexagon	8
4	500133	Bolts Hexagon	4
3	500068	Washer spring	4
2	500055	Washer HV	4
1	500006	Nut Hexagon	2
POS	PARTNUMBER	PARTNAME	QT

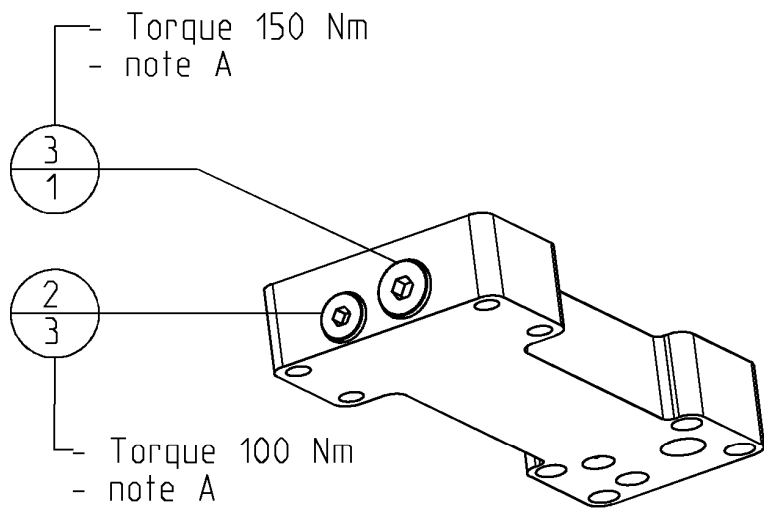
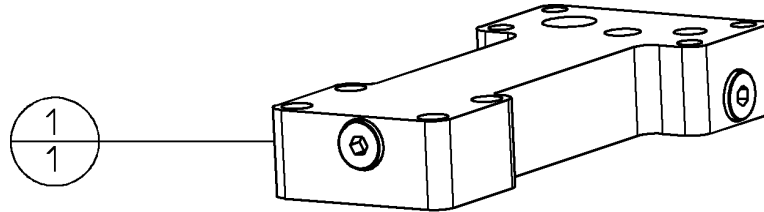
Static Pulverizer	Page	6	of	16
	Date	August 2014		
	Product type	DSP-30 Extreme		
Flange GP rod	Number	502386-02		



Note A;
Mount with Cyberbound TT62
according instructions at the end
of this partsbook.

2	290058185	Blanking end ISO 6149	1
1	502097	Flange - rod	1
POS	PARTNUMBER	PARTNAME	QT

Static Pulverizer	Page	7	of	16
	Date	August 2014		
	Product type	DSP-30 Extreme		
Flange GP bottom	Number	502686-01		



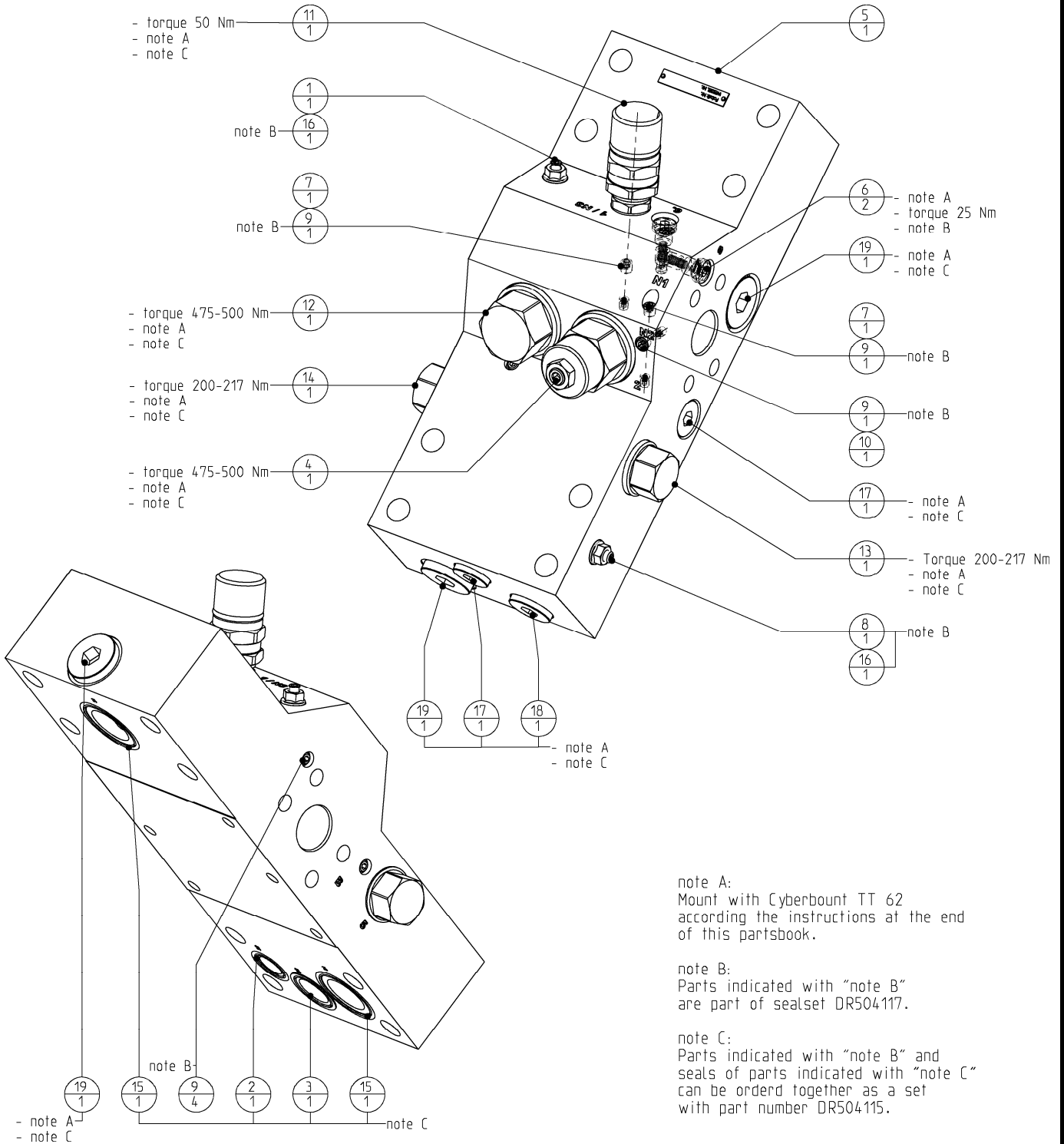
note A
Mount with Cyberbound TT62
according intructions at the end
of this partsbook.

3	290058185	Blanking end ISO 6149	1
2	290058184	Blanking end ISO 6149	3
1	502687	Flange - bottom	1
POS	PARTNUMBER	PARTNAME	QT

Static Pulverizer

Page	8	of	16
Date	August 2014		
Product type	DSP-30 Extreme		
Number	501240-00		

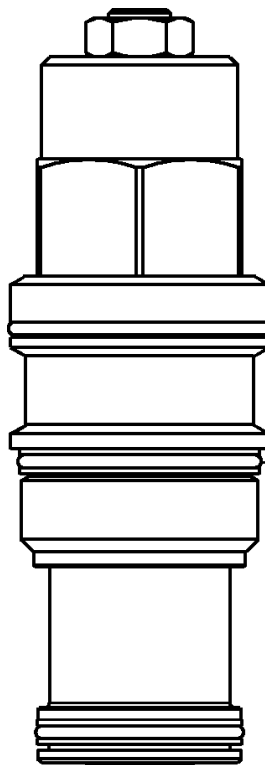
Valve GP



Static Pulverizer	<i>Page</i>	9	of	16
	<i>Date</i>	August 2014		
	<i>Product type</i>	DSP-30 Extreme		
Valve GP	<i>Number</i>	501240-00		

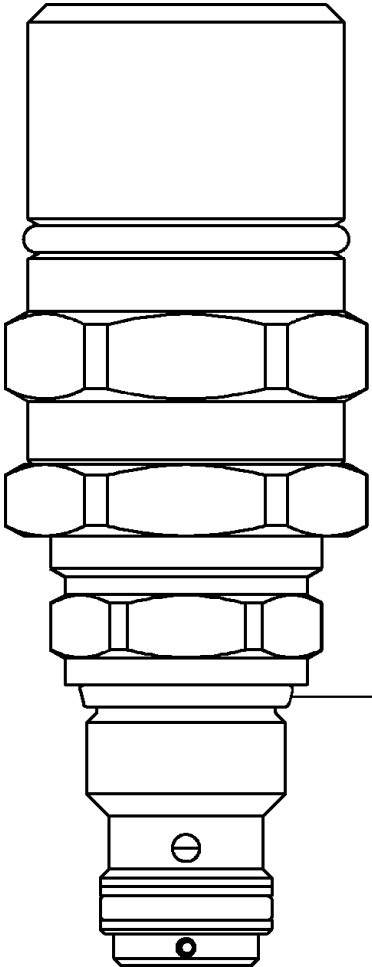
19	290058186	Blanking end ISO 6149	3
18	290058185	Blanking end ISO 6149	1
17	290058184	Blanking end ISO 6149	2
16	121067231	Nut Hexagon sealing	2
15	504009	Quad-ring	2
14	502117	Valve - check	1
13	501378	Valve - check	1
12	501377	Valve - check	1
11	501376	Valve - overload protection	1
10	501246	Blanking end	1
9	501245	Blanking plug	7
8	501244	Bleeding screw	1
7	501243	Orifice $\varnothing,5$	2
6	501242	Valve - check	2
5	501241	Housing	1
4	501235	Valve - counter balance	1
3	500601	Seal - flange	1
2	500600	Seal - flange	1
1	500412	Hex. socket set screw	1
POS	PARTNUMBER	PARTNAME	QT

Static Pulverizer	<i>Page</i>	10	<i>of</i>	16
	<i>Date</i>	August 2014		
	<i>Product type</i>	DSP-30 Extreme		
Counter balance valve	<i>Number</i>	501235-00		



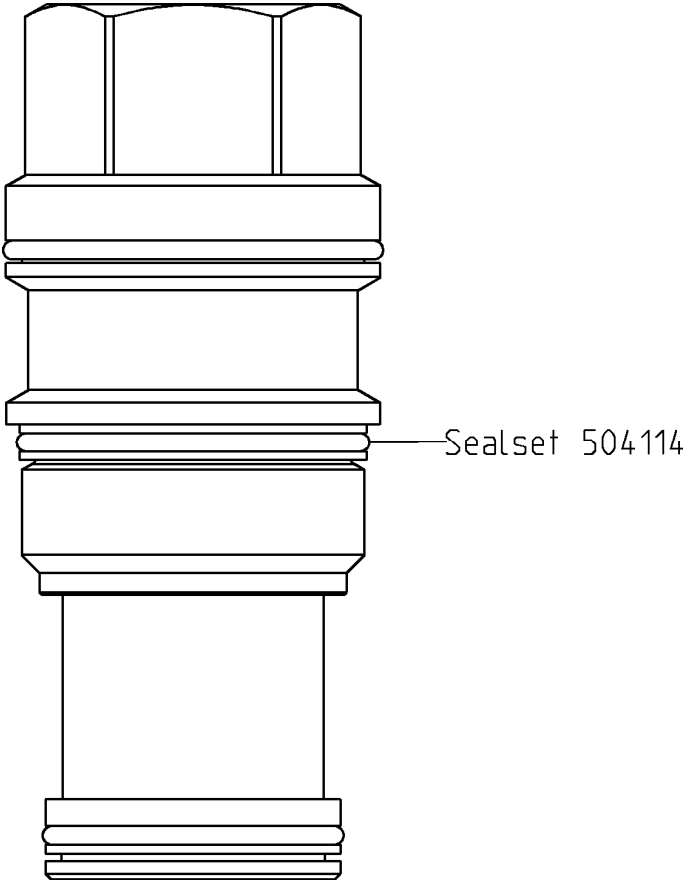
Sealset 504114

Static Pulverizer	<i>Page</i>	11	<i>of</i>	16
	<i>Date</i>	August 2014		
	<i>Product type</i>	DSP-30 Extreme		
Overload protection valve	<i>Number</i>	501376-00		

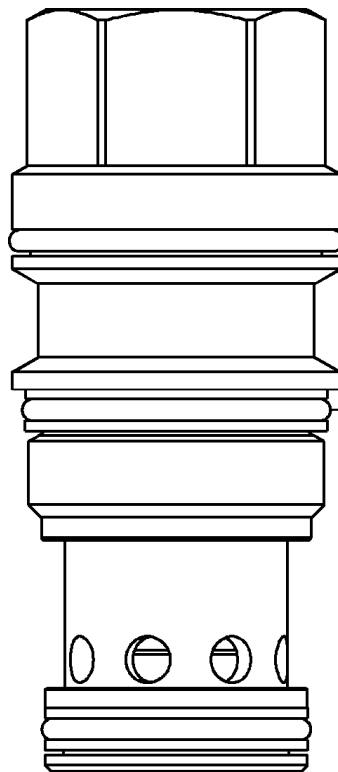


Sealset 504119

Static Pulverizer	Page	12	of	16
	Date	August 2014		
	Product type	DSP-30 Extreme		
Check valve	Number	501377-00		

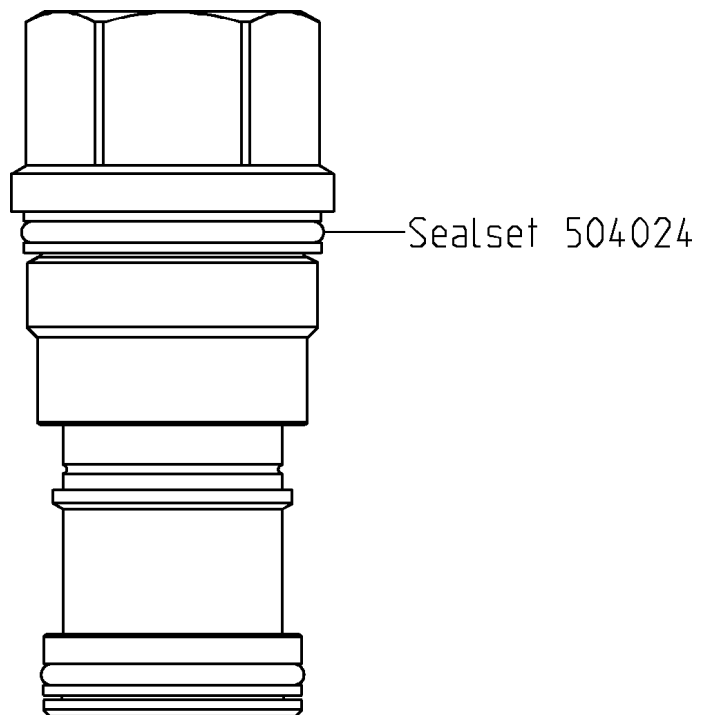


Static Pulverizer	Page	13	of	16
	Date	August 2014		
	Product type	DSP-30 Extreme		
Check valve	Number	501378-00		



Sealset 504057

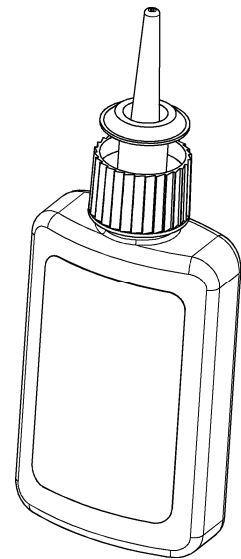
Static Pulverizer	<i>Page</i>	14	<i>of</i>	16
	<i>Date</i>	August 2014		
	<i>Product type</i>	DSP-30 Extreme		
Check valve	<i>Number</i>	502117-01		



Static Pulverizer	Page	15	of	16
	Date	August 2014		
	Product type	DSP-30 Extreme		
Additional parts	Number	n.a.		

Chemical lock

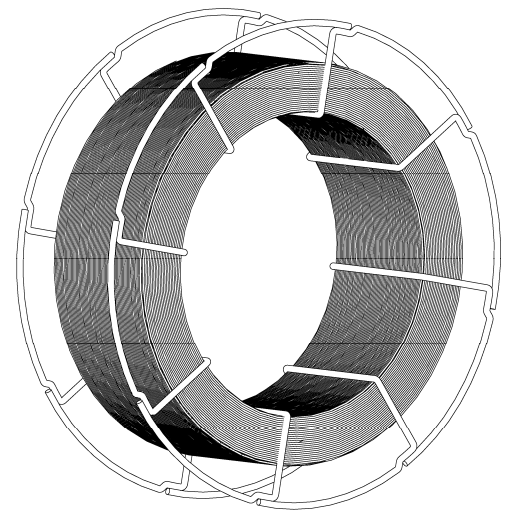
195050158	Cyberbond TT62 Pumpgel	1
506018	Loctite 480 Flacon 20 gr	1
506017	Loctite 638 Flacon 50 ml	1
506016	Loctite 270 Flacon 50 ml	1
PARTNUMBER	PARTNAME	QT



MAG welding wire

- for hard facing cutting blades
- 48-52 HRc

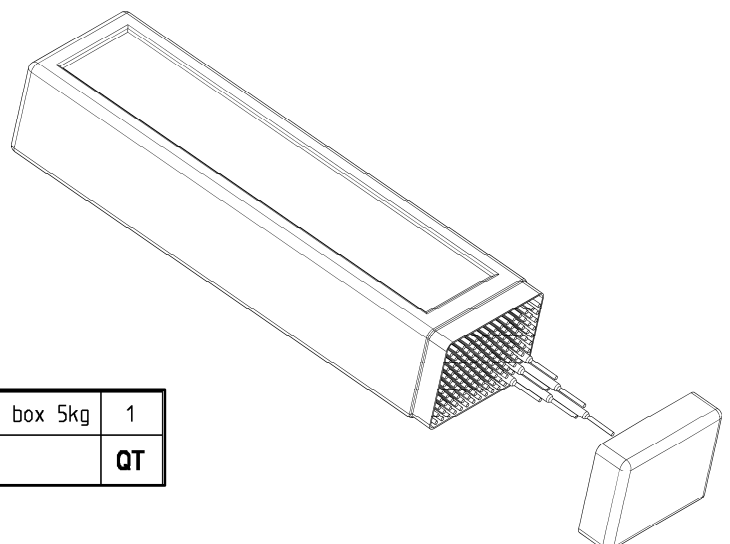
501237	Welding wire MAG; 1.8425, coil 15kg	1
PARTNUMBER	PARTNAME	QT



Welding electrodes

- for hard facing cutting blades
- 48-52 HRc

501238	Weld. electr.:1.8425, Ø 2,5mm, box 5kg	1
PARTNUMBER	PARTNAME	QT



<h1>Static Pulverizer</h1>	<i>Page</i>	16	of	16
	<i>Date</i>	August 2014		
	<i>Product type</i>	DSP-30 Extreme		
<h1>Instructions</h1>	<i>Number</i>	n.a.		

Mounting instructions for Cyberbound TT 62

This instruction shall guarantee that all hydraulic fittings and cartridges will be mounted and glued in correctly.

Procedure:

Clean and degrease thoroughly all components with a special cleaner for anaerobic adhesives (e.g. Loctite cleaner 7063) or acetone.

Apply on the outside thread only a bead of Cyberbond TT62 pump gel to approx. 2/3 of the girth of the second thread for fittings up to a diameter of 20mm or to the entire girth for fittings with a diameter larger than 20mm.



Cyberbond
TT 62



Clean from adhesive residues pressed out from the bore hole after fitting.

ATTENTION. The sealings shall be free of adhesive residues!

Tighten fittings with given fastening torques.

Standard torque values for bolts (when not indicated)

Thread size	Torque (Nm) for quality		
	8.8	10.9	12.9
M8	22,5	32,4	38,7
M10	45,0	63,0	75,6
M12	77,4	109,0	131,0
M16	194,0	270,0	324,0
M20	369,0	522,0	630,0
M24	639,0	900,0	1080,0
M27	945,0	1305,0	1575,0
M30	1260,0	1800,0	2160,0



DEMAREC AND KINSHOFER WORLDWIDE

Netherlands:

Demarec

Demolition and Recycling Equipment BV

Den Hoek 10

5845 EL St. Anthonis

Netherlands

TEL. +31 (0) 485 442300

FAX +31 (0) 485 442120

Email:

info@demarec.com

United Kingdom:

Kinshofer UK Ltd.

4 Milton Industrial Court,

Horsfield Way, Bredbury

Stockport, Cheshire, SK6 2TA

United Kingdom

TEL. +44 (0) 161 - 406 7046

FAX +44 (0) 161 - 406 7014

Email:

sales@kinshofer.co.uk

France:

Kinshofer France S.A.R.L.

B.P. 20100

67213 Obernai Cedex

France

TEL. +33 (0) 388 39 55 00

FAX +33 (0) 388 79 06 75

Email:

info@kinshofer.fr

Czech Republic:

Kinshofer CZ s.r.o.

Cs. Legji 568

37810 Ceske Velenice

Czech Republic

TEL. +420 384 – 795 110

FAX +420 384 – 795 120

Headquarters:

Germany:

Kinshofer GmbH

Hauptstrasse 76

83666 Waakirchen

Germany

TEL. +49 (0) 8021 – 88 99 0

FAX +49 (0) 8021 – 88 99 37

Email:

info@kinshofer.com

North America:

Kinshofer North America

5040 Mainway Drive, Unit 11

Burlington, ON L7L 7G5

Canada

TEL. +1 (905) 335 2856

FAX +1 (905) 335 4529

Toll Free in Canada and USA:

TEL. 1-800-268-9525

Email:

sales-northamerica@kinshofer.com

Finland:

Kinshofer Aponox Oy

Terminaalitie 10

13430 Hämeenlinna

Finland

TEL. +358 (0)75 7540 200

FAX +358 (0)75 7540 210

Beijing:

Darda Kinshofer

Construction Machinery Co. Ltd.

Unit #306, Landmark Tower 2

8 Dongsanhuan Road

Beijing 100004

China

TEL. +86 (10) 6590 6422

FAX +86 (10) 6590 6423

Email:

info@darda.com.cn