

Parts book

Product type
MQP-45-T Serie 1



Den Hoek 10
5845 EL St. Anthonis
the Netherlands
Telephone +31 (0)485 442300
Fax +31 (0)485 442120

info@demarec.com
www.demarec.com



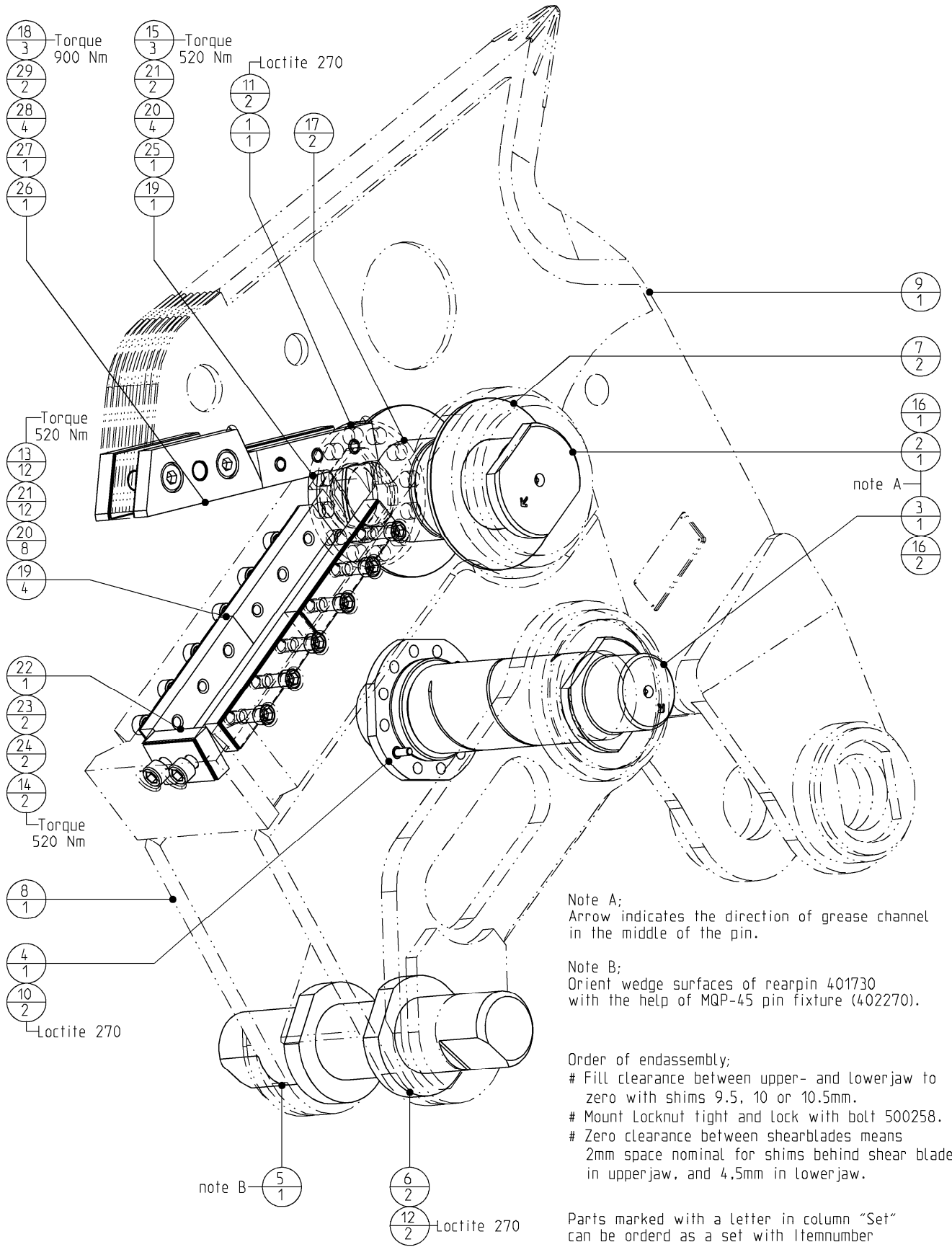
*Copyright Demolition and Recycling Equipment BV
All rights strictly reserved.
Reproductions to third parties in any form whatever is not permitted
without written authority from the proprietor*

Partsbook_403845-00.doc

Multi Quick Processor

Page	1	of	2
Date	April 2009		
Product type	MQP-45-T		
Number	MQP45T200AAA 403845-00		

Jaw Group



Note A:
Arrow indicates the direction of grease channel in the middle of the pin.

Note B:
Orient wedge surfaces of rearpin 401730 with the help of MQP-45 pin fixture (402270).

Order of endassembly;
Fill clearance between upper- and lowerjaw to zero with shims 9.5, 10 or 10.5mm.
Mount Locknut tight and lock with bolt 500258.
Zero clearance between shearblades means 2mm space nominal for shims behind blades in upperjaw, and 4,5mm in lowerjaw.

Parts marked with a letter in column "Set" can be ordered as a set with Itemnumber

Set	Wearpartset	Itemnumber
a	Cuttingedges set	403659

Multi Quick Processor	<i>Page</i>	2	<i>of</i>	2
	<i>Date</i>	April 2009		
	<i>Product type</i>	MQP-45-T		
Jaw Group	<i>Number</i>	MQP45T200AAA 403845-00		

a	29	508050	Shim - trapezium	2
a	28	508049	Shim - trapezium	4
a	27	508048	Shear - blade trapezium LH	1
a	26	508047	Shear - blade trapezium RH	1
a	25	508040	Shear - blade straight contra	1
a	24	508019	Shim - straight	2
a	23	508018	Shim - straight	2
a	22	508017	Shear - blade straight	1
a	21	508003	Shim - straight	14
a	20	508002	Shim - straight	12
a	19	508001	Shear - blade straight	5
a	18	506023	Shoulder bolt	3
	17	500573	Bushing	2
	16	500560	Grease - nipple	3
a	15	500378	Flat countersunk head cap screws	3
a	14	500281	Hex. socket head cap screw	2
a	13	500274	Hex. socket head cap screw	12
	12	500262	Hex. socket head cap screw	2
	11	500258	Hex. socket head cap screw	2
	10	500247	Hex. socket head cap screw	2
	9	403848	Jaw - upper asm. machined	1
	8	403846	Jaw - lower asm. welded	1
	7	402482	Spacer	2
	6	401764	Ring - clamp	2
	5	401730	Pin	1
	4	401729	Locknut M130x4	1
	3	401728	Pin	1
	2	401546	Pin	1
	1	401312	Locknut M100x4	1
Set	POS	PARTNUMBER	PARTNAME	QT