

Parts book

Product type
DLD-25 Serie 1



Den Hoek 10
5845 EL St. Anthonis
the Netherlands
Telephone +31 (0)485 442300
Fax +31 (0)485 442120

info@demarec.com
www.demarec.com



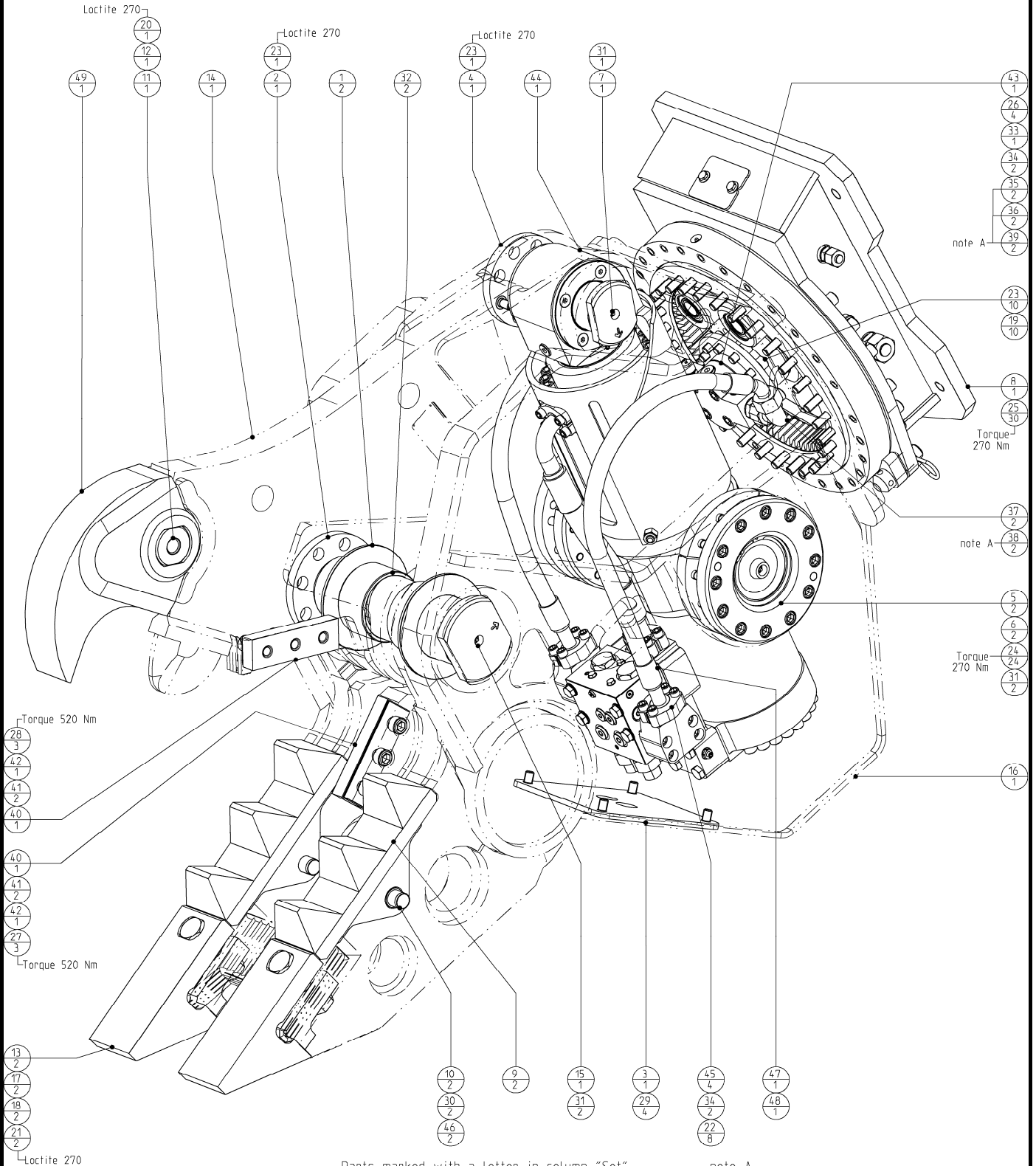
*Copyright Demolition and Recycling Equipment BV
All rights strictly reserved.
Reproductions to third parties in any form whatever is not permitted
without written authority from the proprietor*

Partsbook_404475-00.doc

Rotatable Demolition Shear

Housing GP

Page	1	of	16
Date	December 2009		
Product type	DLD-25		
Number	DLD25L065AAA5 404475-00		



Parts marked with a letter in column "Set" can be ordered as a set with Itemnumber

Set	Wearpartset	Itemnumber
a	Tripod shroud set	402843
b	Cuffingedges set	403654
c	Scraper teeth set	402847
d	Rippertooth set (excl. pin)	402846

note A
 # Degrease threads with brake cleaner.
 # Rub in- and outside threads in with Cyberbound TT62 by using a brush.
 # Clean seal from plug during screwing in.
 # A drying time from the glue of at least 1 hour needs to be respected before it has any contact with oil.

Rotatable Demolition Shear

Housing GP

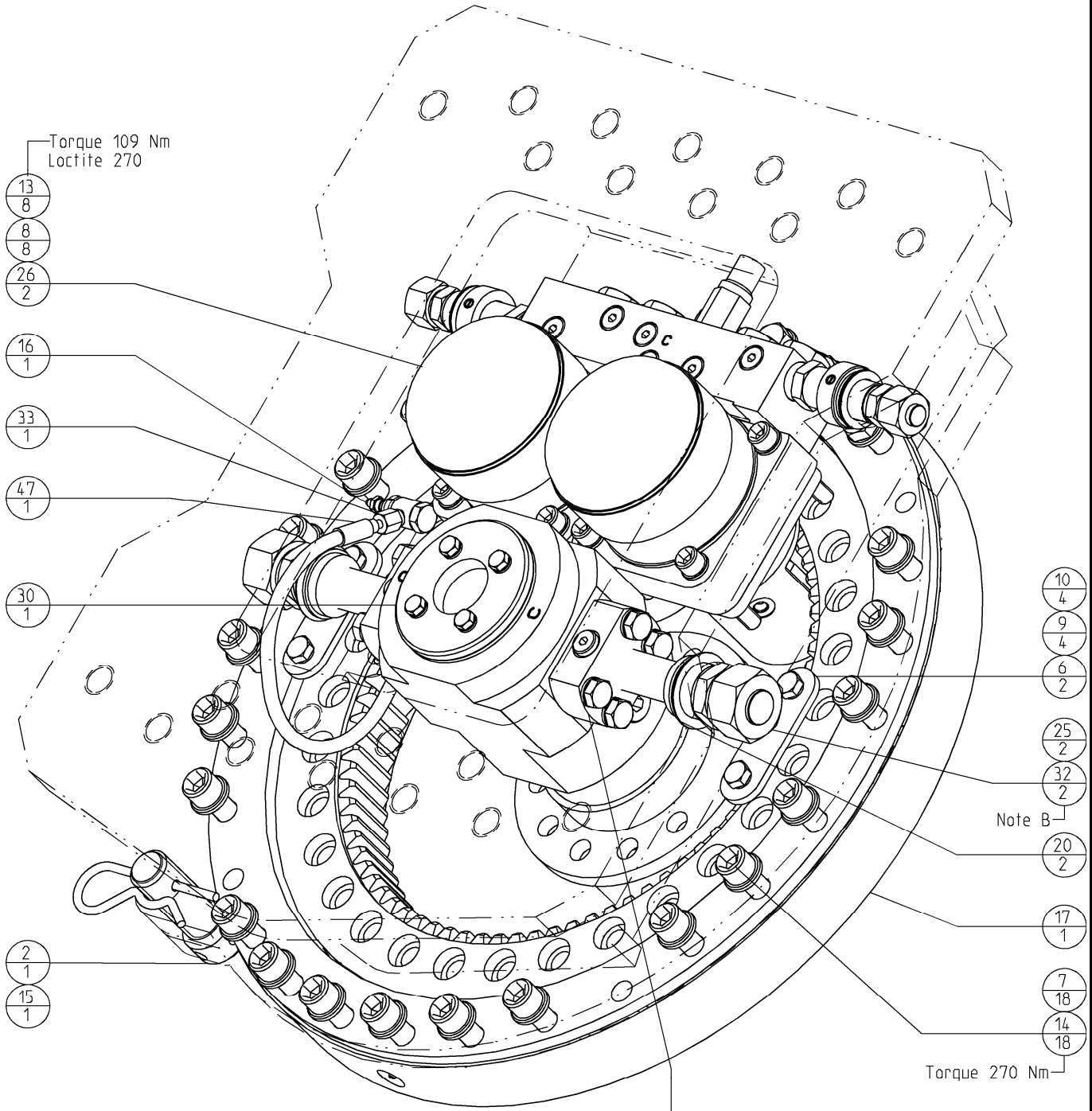
Page	2	of	16
Date	December 2009		
Product type	DLD-25		
Number	DLD25L065AAA5 404475-00		

SET	POS	PARTNUMBER	PARTNAME	QT
	26	500268	Hex. socket head cap screw	4
	25	500266	Hex. socket head cap screw	30
	24	500265	Hex. socket head cap screw	24
	23	500258	Hex. socket head cap screw	12
	22	500250	Hex. socket head cap screw	8
c	21	500194	Bolts Hexagon	2
d	20	500144	Bolts Hexagon	1
	19	500069	Washer spring	10
c	18	500057	Washer HV	2
c	17	500008	Nut Hexagon	2
	16	404462	Housing asm. machined	1
	15	404458	Pin	1
	14	404416	Jaw - upper asm. machined	1
c	13	403065	Tooth - Scraper	2
d	12	403030	Lock - cover	1
	11	403029	Lock - pin	1
a	10	403023	Lock - pin	2
a	9	403022	Shroud - Tripod	2
	8	402970	Rotatorhead GP (DRP-MQP)	1
	7	402967	Pin	1
	6	402965	Ring	2
	5	402962	Bearing - housing asm.	2
	4	401441	Locknut	1
	3	401416	Cover	1
	2	401313	Locknut	1
	1	401192	Spacer	2
d	49	740057906	Ripper - tooth	1
	48	505089_VG06	Hydr. hose asm. 3/4"SAE 100R10	1
	47	505089_VG05	Hydr. hose asm. 3/4"SAE 100R10	1
a	46	504053	O-ring	2
	45	503503	SAE split - flange	4
	44	502530	Hydraulic Cylinder & Valve GP	1
	43	501073	Swivel - flange	1
b	42	500952	Shim - straight	2
b	41	500951	Shim - straight	4
b	40	500950	Shear - blade straight	2
	39	500740	Test-point	2
	38	500695	Male stud coupling	2
	37	500675	Adjustable male stud elbow	2
	36	500653	Blanking end	2
	35	500652	Blanking end	2
	34	500601	O-ring	4
	33	500600	O-ring	1
	32	500572	Bushing	2
	31	500560	Grease - nipple	5
a	30	500559	Tension bush - outside	2
	29	500358	Flat countersunk head cap screws	4
b	28	500272	Hex. socket head cap screw	3
b	27	500270	Hex. socket head cap screw	3

Rotatable Demolition Shear

Page	3	of	16
Date	December 2009		
Product type	DLD-25		
Number	402970-07		

Rotatorhead GP



Torque 109 Nm
Loctite 270

Torque 270 Nm

Note A
Grind coupling on inside of motor flange flat.

Note B
Degrease threads with brake cleaner.
Rub in- and outside threads in with Cyberbound TT62 by using a brush.
Clean seal from plug during screwing in.
A drying time from the glue of at least 1 hour needs to be respected before it has any contact with oil.

1	19	21	8	11
2	2	2	8	8

Note B

Rotatable Demolition Shear

Page **4** of **16**

Date **December 2009**

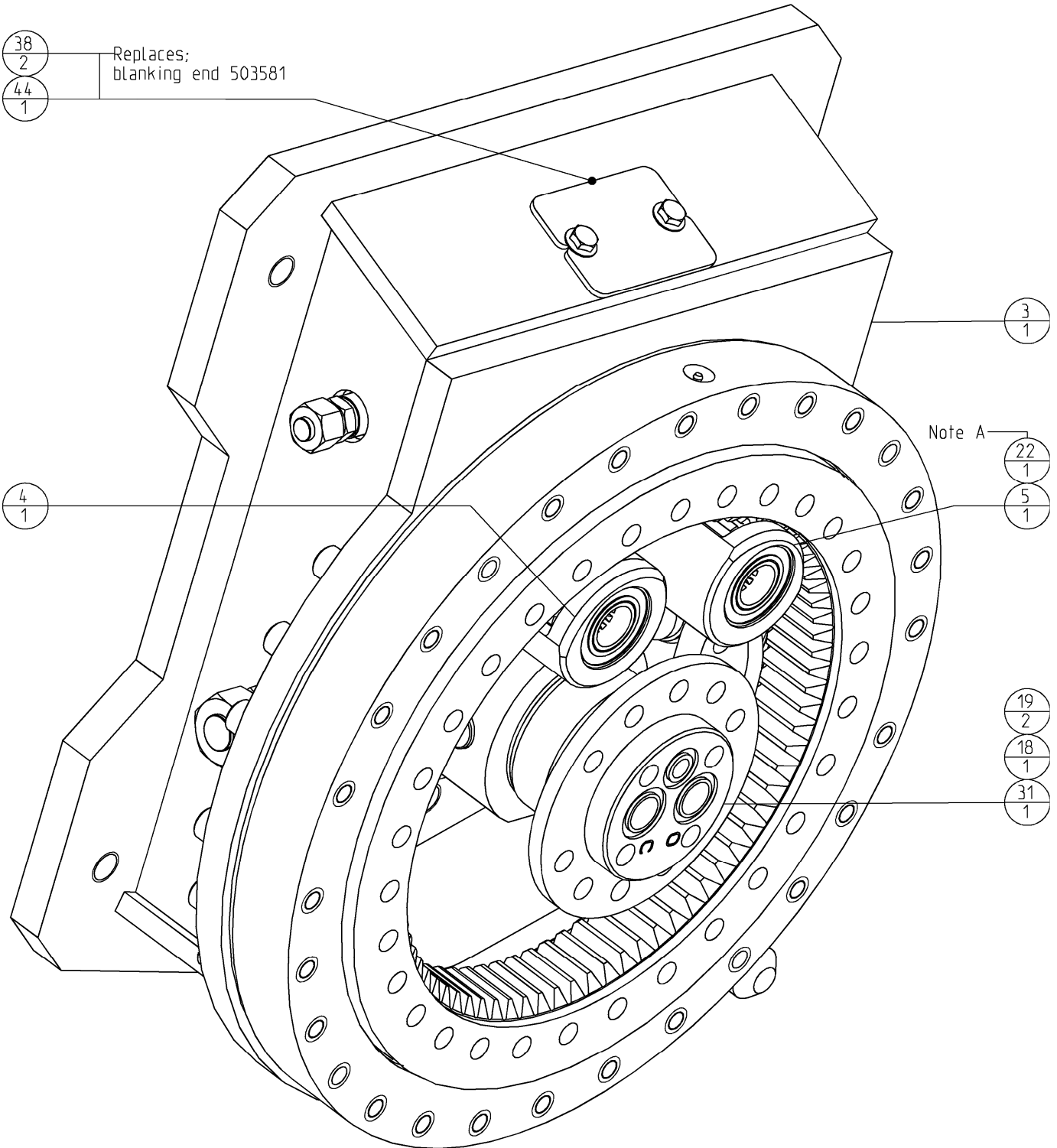
Product type **DLD-25**

Rotatorhead GP

Number **402970-07**

38
2
44
1

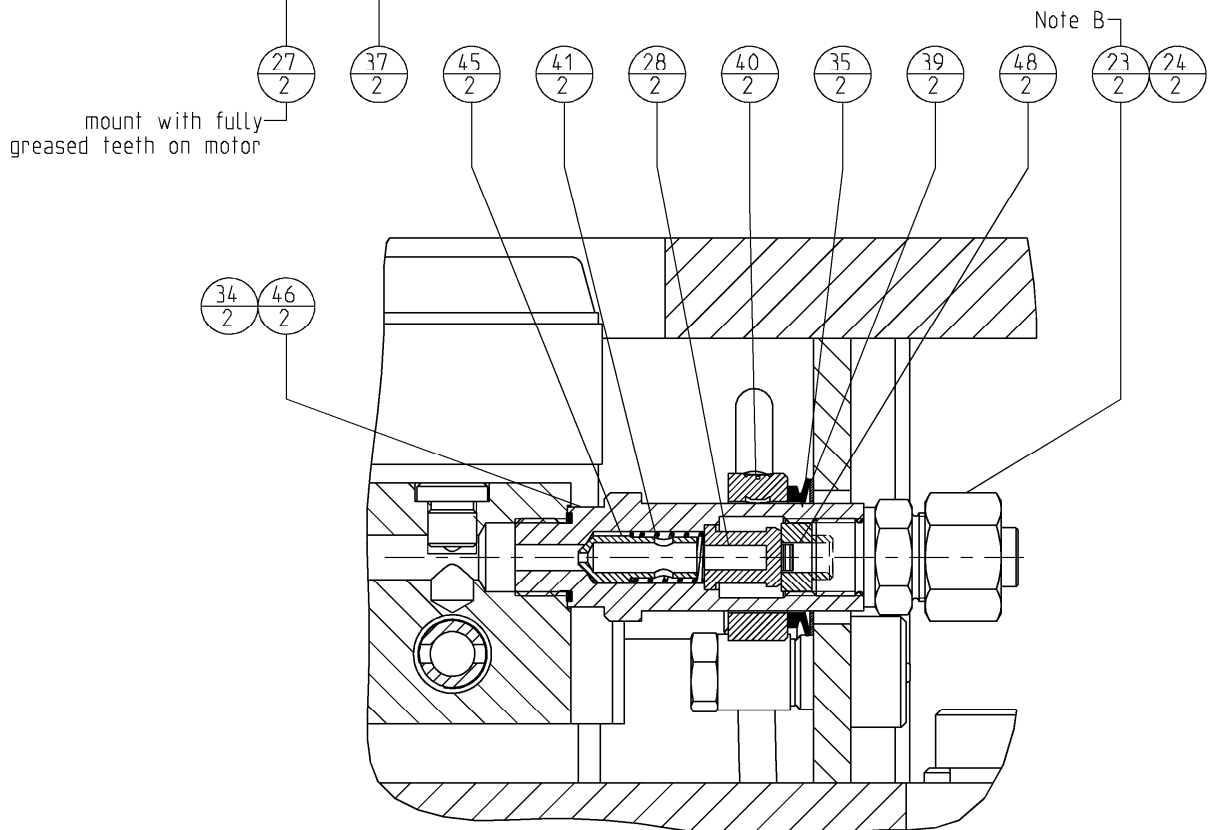
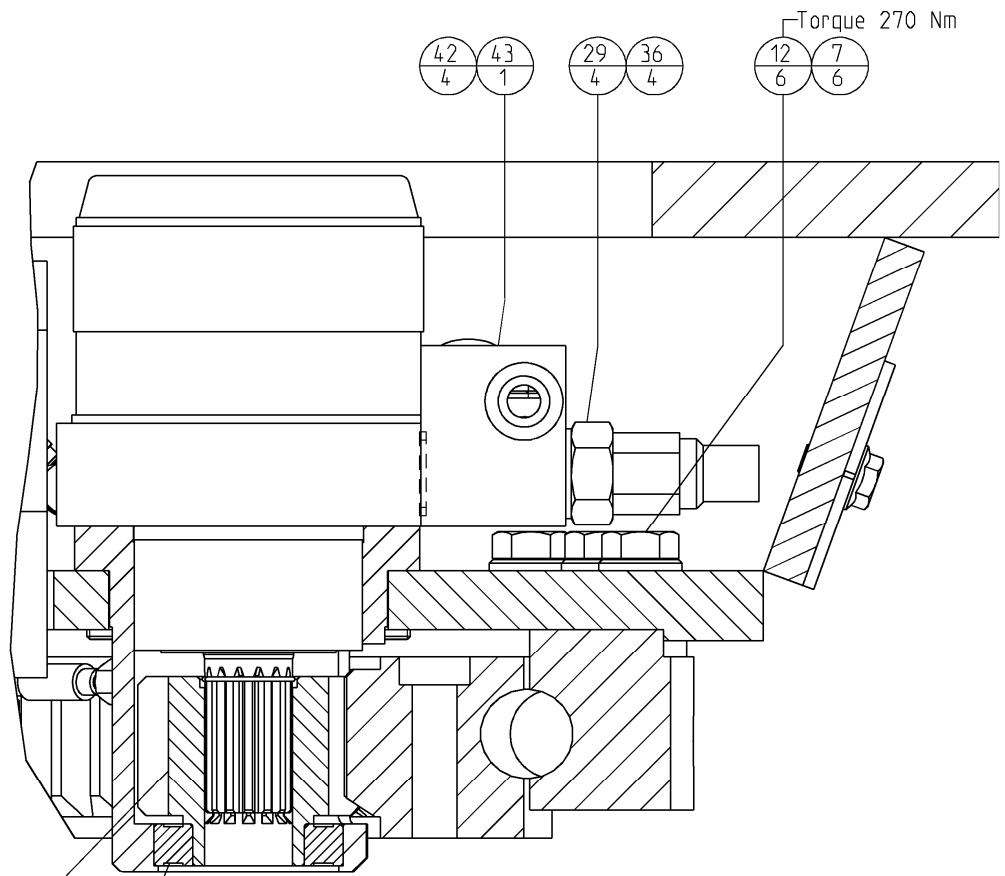
Replaces:
blanking end 503581



Rotatable Demolition Shear

Page	5	of	16
Date	December 2009		
Product type	DLD-25		
Number	402970-07		

Rotatorhead GP



Rotatable Demolition Shear	<i>Page</i>	6	<i>of</i>	16
	<i>Date</i>	December 2009		
	<i>Product type</i>	DLD-25		
Rotatorhead GP	<i>Number</i>	402970-07		

				25	500947	Blanking plug	2
				24	500945	Blanking plug	2
48	773058645	Drossel - ring	2	23	500693	Male stud coupling	2
47	296012594_VG02	Hydr. hose asm. 3/16" SAE 100R1AT	1	22	500690	Male stud coupling	1
46	291058602	Sleeve G1/2"-G1/2"	2	21	500650	Blanking end	2
45	273058601	Cone - valve + restriction	2	20	500620	Seal	2
44	273013056	Cover	1	19	500601	O-ring	4
43	270057528	Valve GP	1	18	500600	O-ring	1
42	257057530	Quadseal	4	17	500590	Slewing Ring; Internal Gear	1
41	165050749	Spring	2	16	500560	Grease - nipple	1
40	140000031	Ring - adjusting	2	15	500504-2	Locking pin (hair-pin)	1
39	122011550	Ring - shim	2	14	500266	Hex. socket head cap screw	18
38	120013834	Bolts Hexagon - self locking	2	13	500254	Hex. socket head cap screw	8
37	507002	Bearing - Ball	2	12	500150	Bolts Hexagon	6
36	504081	Bonded seal	4	11	500135	Bolts Hexagon	8
35	504068	Seal	2	10	500116	Bolts Hexagon	4
34	504038	Seal G1/2'	2	9	500076	Washer spring	4
33	503612	Banjo Coupling	1	8	500068	Washer spring	16
32	503536	Male stud coupling	2	7	500054	Washer HV	24
31	502330	Flange	1	6	402980	Cover	2
30	502286	Swivel GP	1	5	402979	Motor flange & housing RH	1
29	502285	Banjo - bolt	4	4	402978	Motor flange & housing LH	1
28	502000	Filter	2	3	402971	Rotatorhead asm. machined	1
27	501058	Pinion	2	2	400217	Lock-pin	1
26	501057	Hydro - motor	2	1	400214	Hydraulic flange - pipe	2
				POS	PARTNUMBER	PARTNAME	QT

Rotatable Demolition Shear

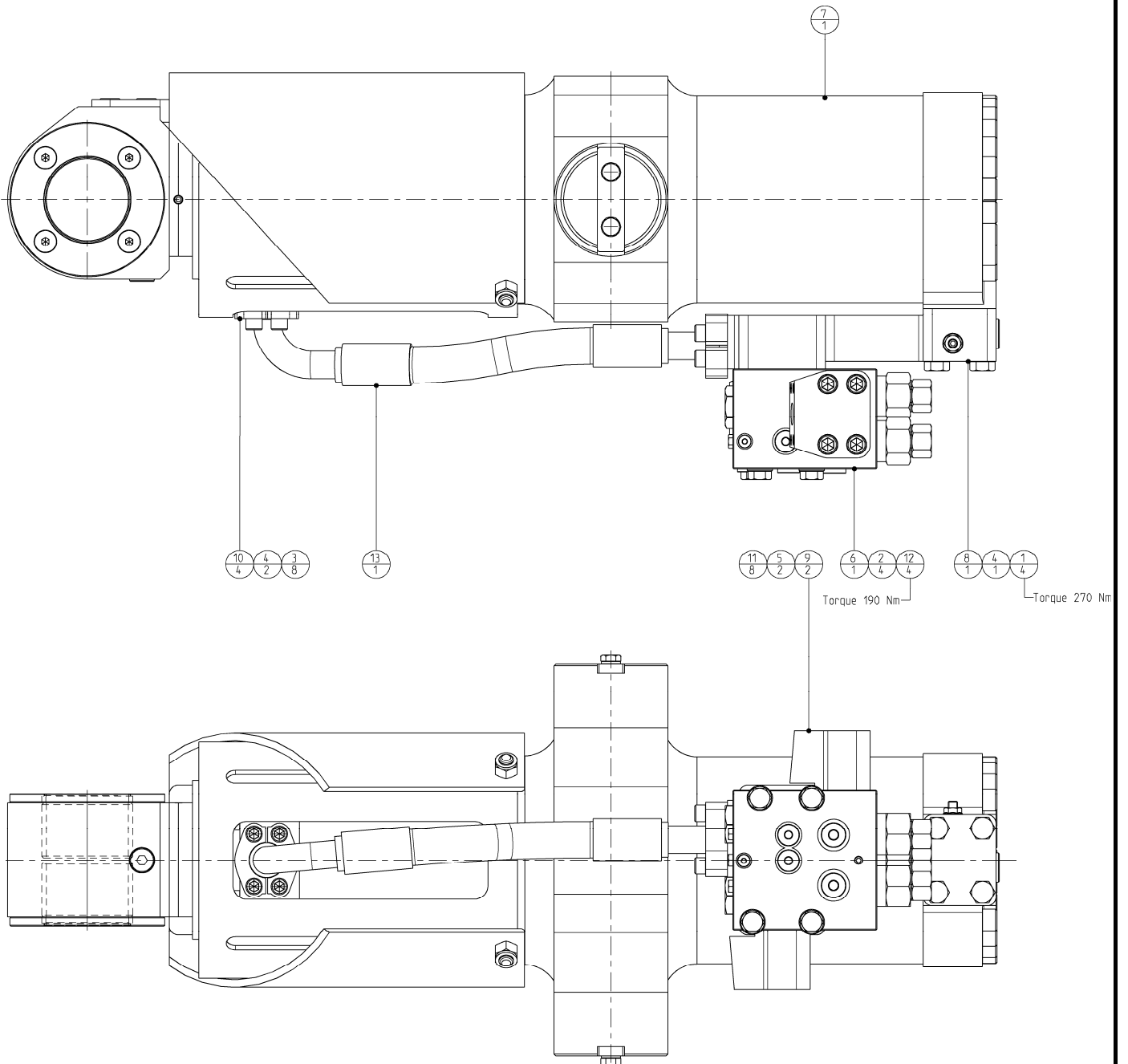
Page **7** of **16**

Date **December 2009**

Product type **DLD-25**

Cylinder & Valve GP

Number **502530-00**



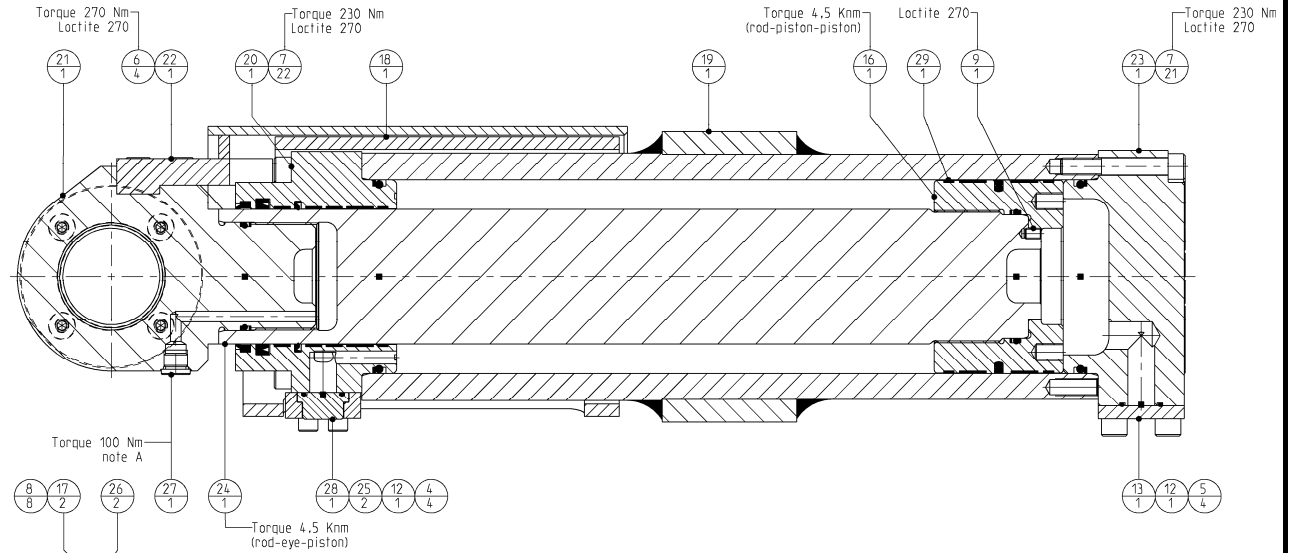
Rotatable Demolition Shear	<i>Page</i>	8	<i>of</i>	16
	<i>Date</i>	December 2009		
	<i>Product type</i>	DLD-25		
Cylinder & Valve GP	<i>Number</i>	502530-00		

13	505088_VG502530	Hydr. hose asm. 1" SAE 100R13	1
12	122000163	Washer normal	4
11	120060526	Hex. socket head cap screw	8
10	503503	SAE split - flange	4
9	502561	Flange 95°	2
8	502559	Flange - bottom GP	1
7	502531	Hydraulic Cylinder GP	1
6	500755	Overcentre valve	1
5	500603	O-ring	2
4	500601	O-ring	3
3	500250	Hex. socket head cap screw	8
2	500200	Bolts Hexagon	4
1	500149	Bolts Hexagon	4
POS	PARTNUMBER	PARTNAME	QT

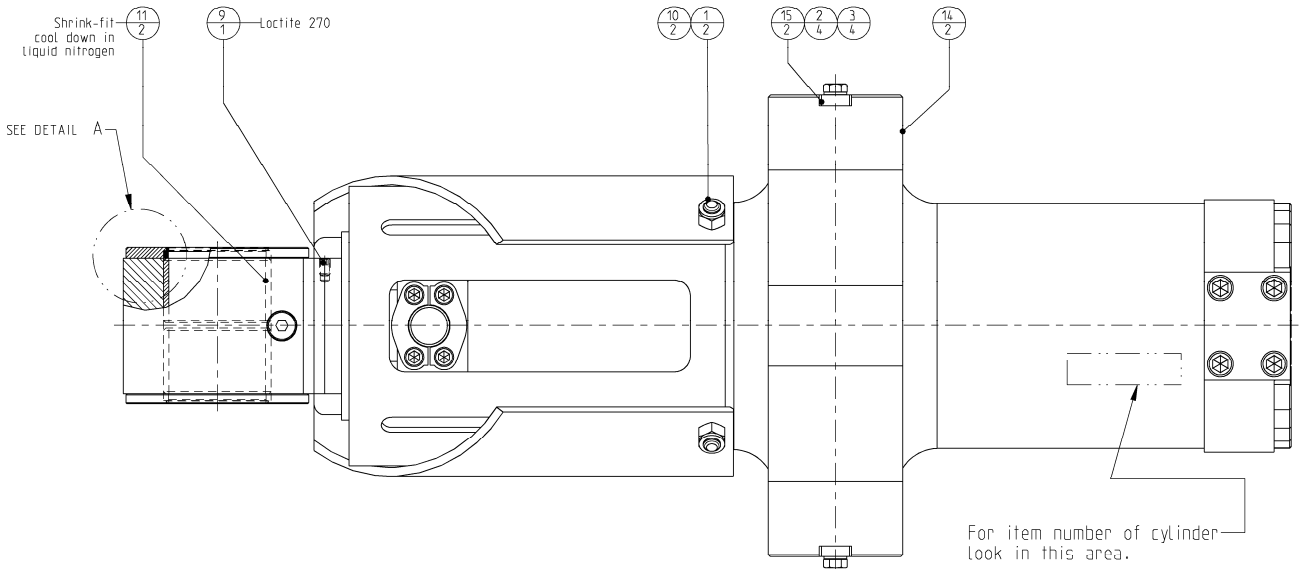
Rotatable Demolition Shear

Cylinder GP

Page	9	of	16
Date	December 2009		
Product type	DLD-25		
Number	502531-00		



DETAIL A
SCALE 4:5



note A

- # Degrease threads with brake cleaner.
- # Rub in- and outside threads in with Cyberbound TT62 by using a brush.
- # Clean seal from plug during screwing in.
- # A drying time from the glue of at least 1 hour needs to be respected before it has any contact with oil.

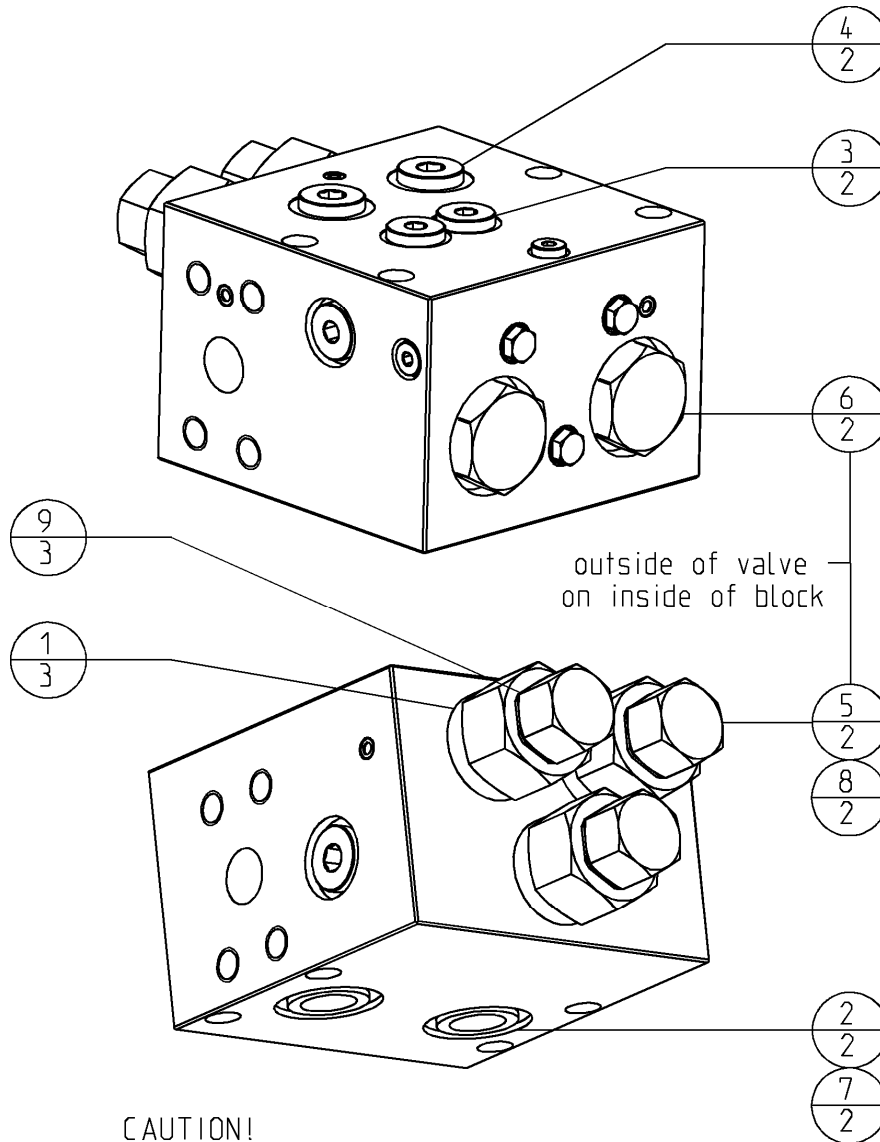
Rotatable Demolition Shear	<i>Page</i>	10	<i>of</i>	16
	<i>Date</i>	December 2009		
	<i>Product type</i>	DLD-25		
Cylinder GP	<i>Number</i>	502531-00		

29	502540_RM502530	Seal - set	1
28	291057570	SAE stop	1
27	290058184	Blanking end ISO 6149	1
26	504069	Scraper	2
25	503503	SAE split - flange	2
24	502533	Rod-tube	1
23	502532	Cylinder - bottom	1
22	502475	Protecion cap asm.	1
21	502474	Rod - eye	1
20	502430	Cylinder - head	1
19	502426	Cylinder - house asm.	1
18	502309	Tube - protection	1
17	502308	Spacer	2
16	502303	Piston	1
15	502295	Lockplate	2
14	502294	Bearing Heminex 3	2
13	502259	Blanking cover	1
12	500601	O-ring	2
11	500570	Bushing	2
10	500432	Hex. socket set screw	2
9	500417	Hex. socket set screw	2
8	500347	Flat countersunk head cap screws	8
7	500267	Hex. socket head cap screw	43
6	500261	Hex. socket head cap screw	4
5	500258	Hex. socket head cap screw	4
4	500250	Hex. socket head cap screw	4
3	500133	Bolts Hexagon	4
2	500068	Washer spring	4
1	500031	Nut Hexagon self-locking	2
POS	PARTNUMBER	PARTNAME	QT

Rotatable Demolition Shear

Page	11	of	16
Date	December 2009		
Product type	DLD-25		
Number	500755-03		

Overcentre valve



CAUTION!

Valve is equipped with high quality seals.
All valves and blanking ends are mounted according special instructions.

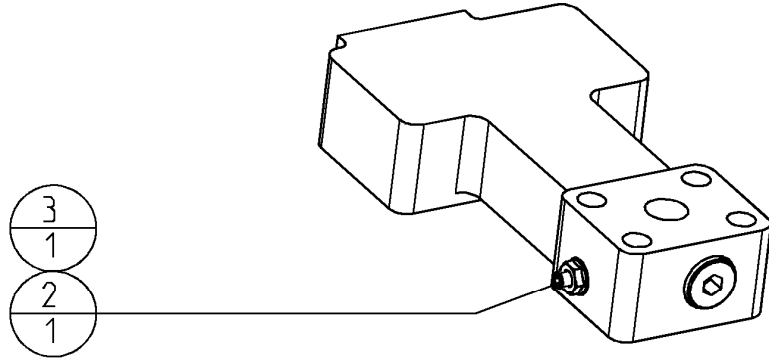
For further information contact your dealer.

9	504034	Bonded seal	3
8	n.a.	Back-up ring	2
7	504026	Back-up ring	2
6	n.a.	O-ring	2
5	n.a.	O-ring	2
4	504083	O-ring	2
3	504082	O-ring	2
2	504017	O-ring	2
1	500601	O-ring	3
POS	PARTNUMBER	PARTNAME	QT
sealset 504080-01			

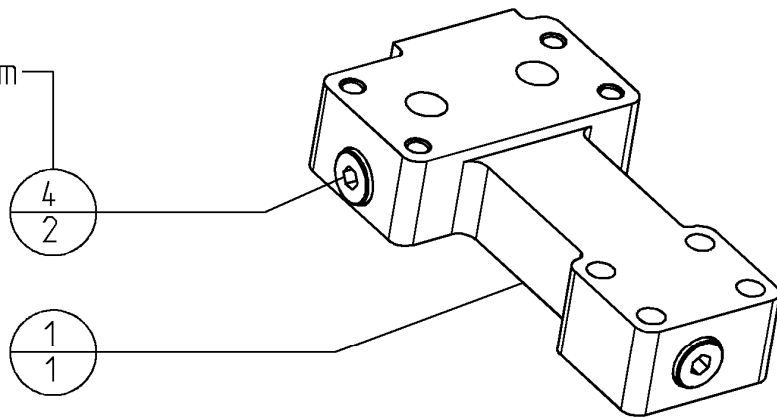
Rotatable Demolition Shear

Page	12	of	16
Date	December 2009		
Product type	DLD-25		
Number	502559-00		

Flange GP bottom



- Torque 150 Nm
- note A

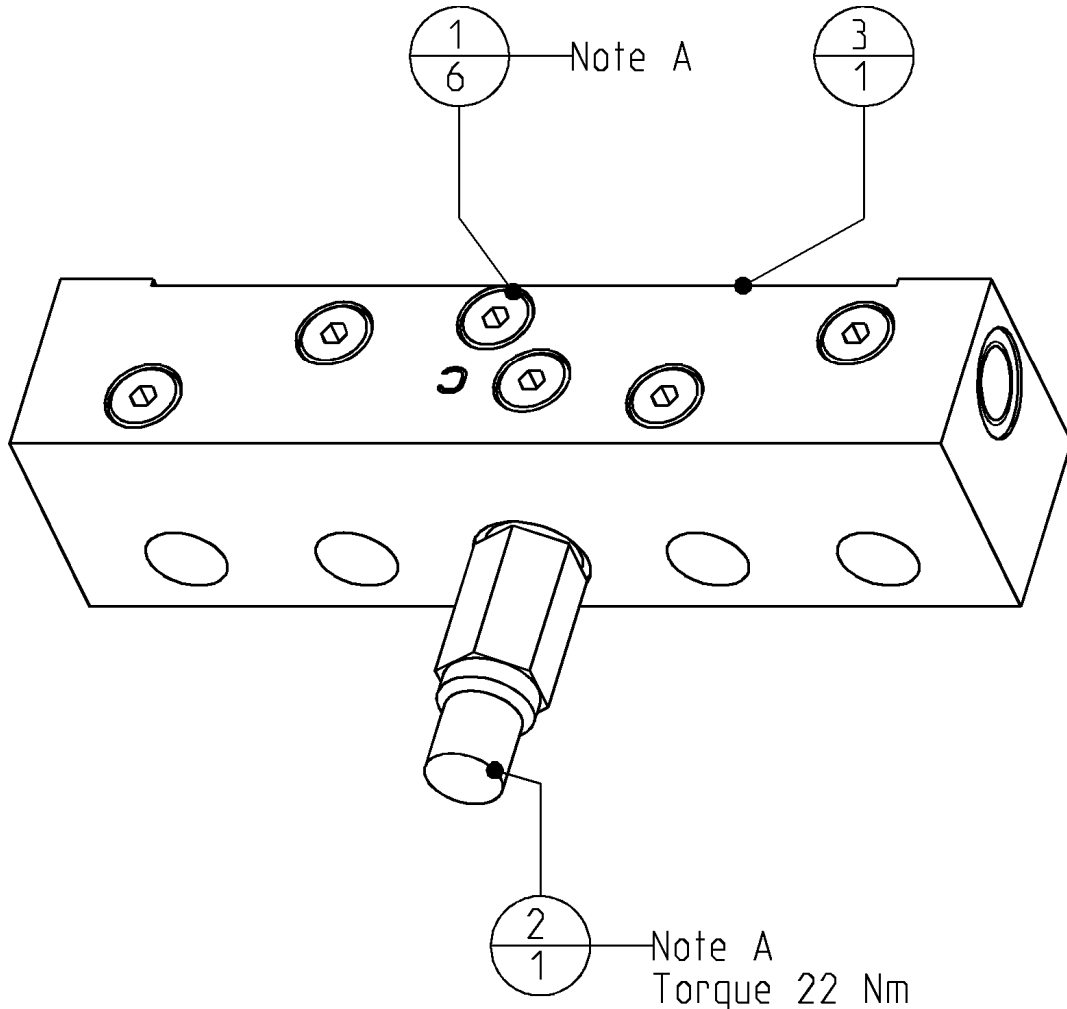


note A

- # Degrease threads with brake cleaner.
- # Rub in- and outside threads in with Cyberbound TT62 by using a brush.
- # Clean seal from plug during screwing in.
- # A drying time from the glue of at least 1 hour needs to be respected before it has any contact with oil.

4	290058185	Blanking end ISO 6149	2
3	121060762	Nut Hexagon sealing	1
2	502562	Bleeding screw	1
1	502560	Flange - bottom	1
POS	PARTNUMBER	PARTNAME	QT

Rotatable Demolition Shear	Page	13	of	16
	Date	December 2009		
	Product type	DLD-25		
Valve GP	Number	270057528-B		



Note A

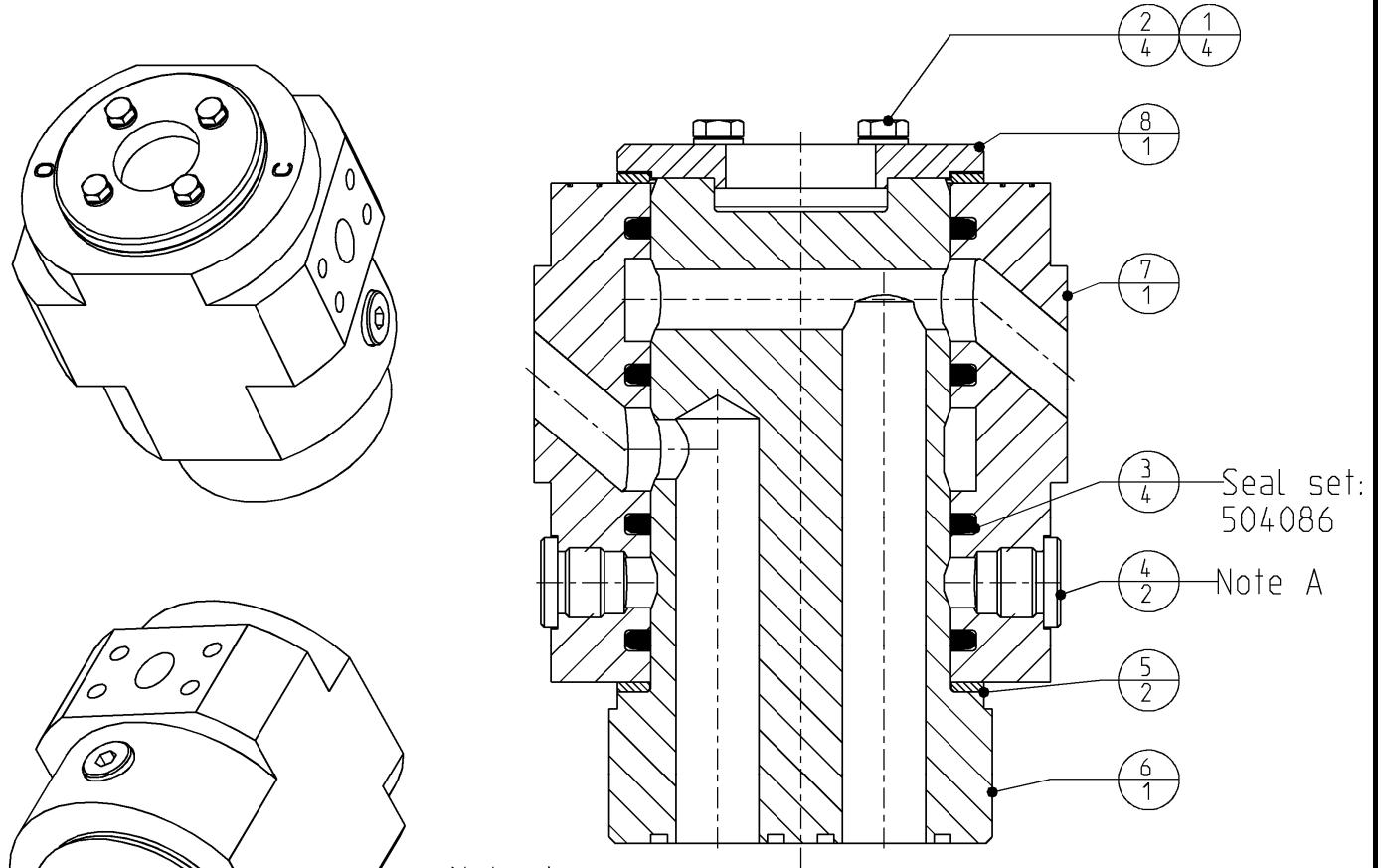
- # Degrease threads with brake cleaner.
- # Rub in- and outside threads in with Cyberbound TT62 by using a brush.
- # Clean seal from plug during screwing in.
- # A drying time from the glue of at least 1 hour needs to be respected before it has any contact with oil.

3	272057526	Baseplate	1
2	271059401	Cross-over relieve valve	1
1	500650	Blanking end	6
POS	PARTNUMBER	PARTNAME	QT

Rotatable Demolition Shear

Page	14	of	16
Date	December 2009		
Product type	DLD-25		
Number	502286-01		

Swivel GP



Note A

- # Degrease threads with brake cleaner.
- # Rub in- and outside threads in with Cyberbound TT62 by using a brush.
- # Clean seal from plug during screwing in.
- # A drying time from the glue of at least 1 hour needs to be respected before it has any contact with oil.

8	502289	Cover	1
7	502288	Housing	1
6	502287	Stator	1
5	500832	Axial ring	2
4	500652	Blanking end	2
3	500630	Seal - Roto Glyd Ring with Rotolock	4
2	500105	Bolts Hexagon	4
1	500066	Washer spring	4
POS	PARTNUMBER	PARTNAME	QT

Rotatable Demolition Shear

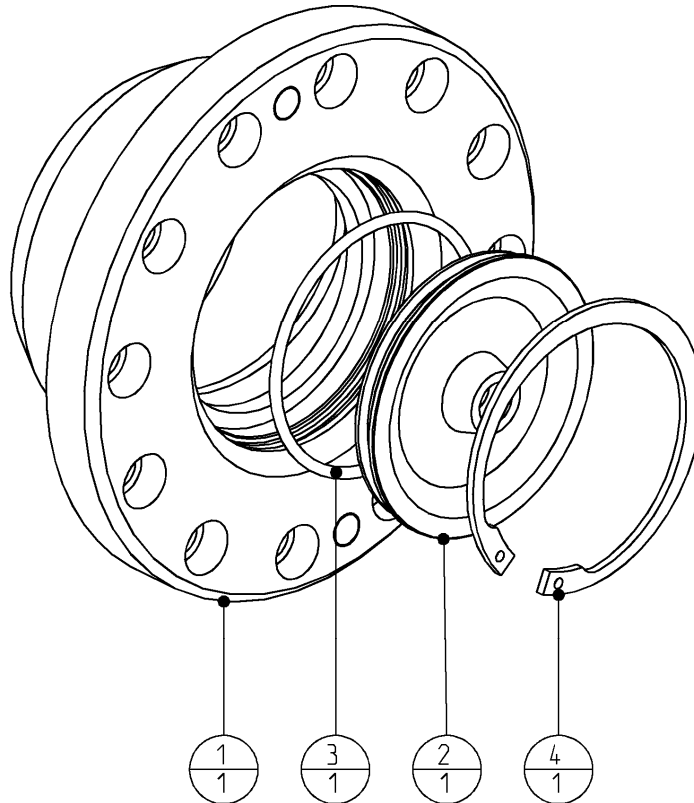
Page **15** of **16**

Date **December 2009**

Product type **DLD-25**

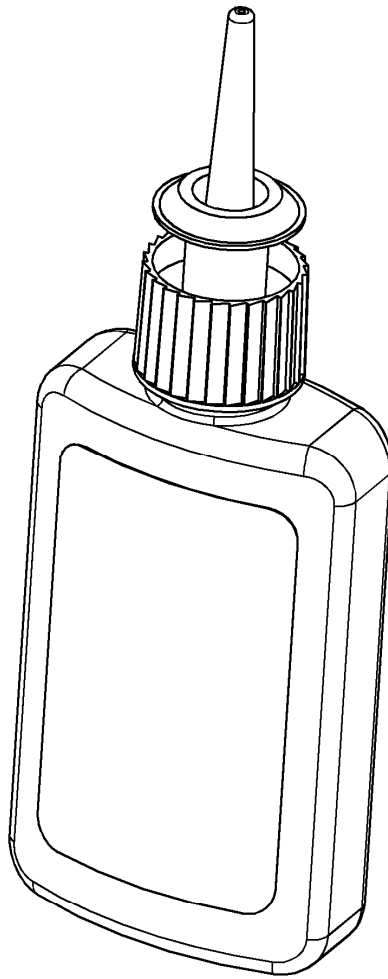
Bearing Housing

Number **402962-00**



4	506024	Retainring	1
3	504065	O-ring	1
2	402964	Cover	1
1	402963	Bearing housing	1
POS	PARTNUMBER	PARTNAME	QT

Rotatable Demolition Shear	<i>Page</i>	16	<i>of</i>	16
	<i>Date</i>	December 2009		
	<i>Product type</i>	DLD-25		
Chemical lock	<i>Number</i>	n.a.		



195050158	Cyberbond TT62 Pumpgel	1
506017	Loctite 638 Flacon 50 ml	1
506016	Loctite 270 Flacon 50 ml	1
PARTNUMBER	PARTNAME	QT