

# Parts book

<b>Product type</b>
DRG-65-DN-x-x-x Serie 4



Den Hoek 10  
5845 EL St. Anthonis  
the Netherlands  
Telephone +31 (0)485 442300  
Fax +31 (0)485 442120

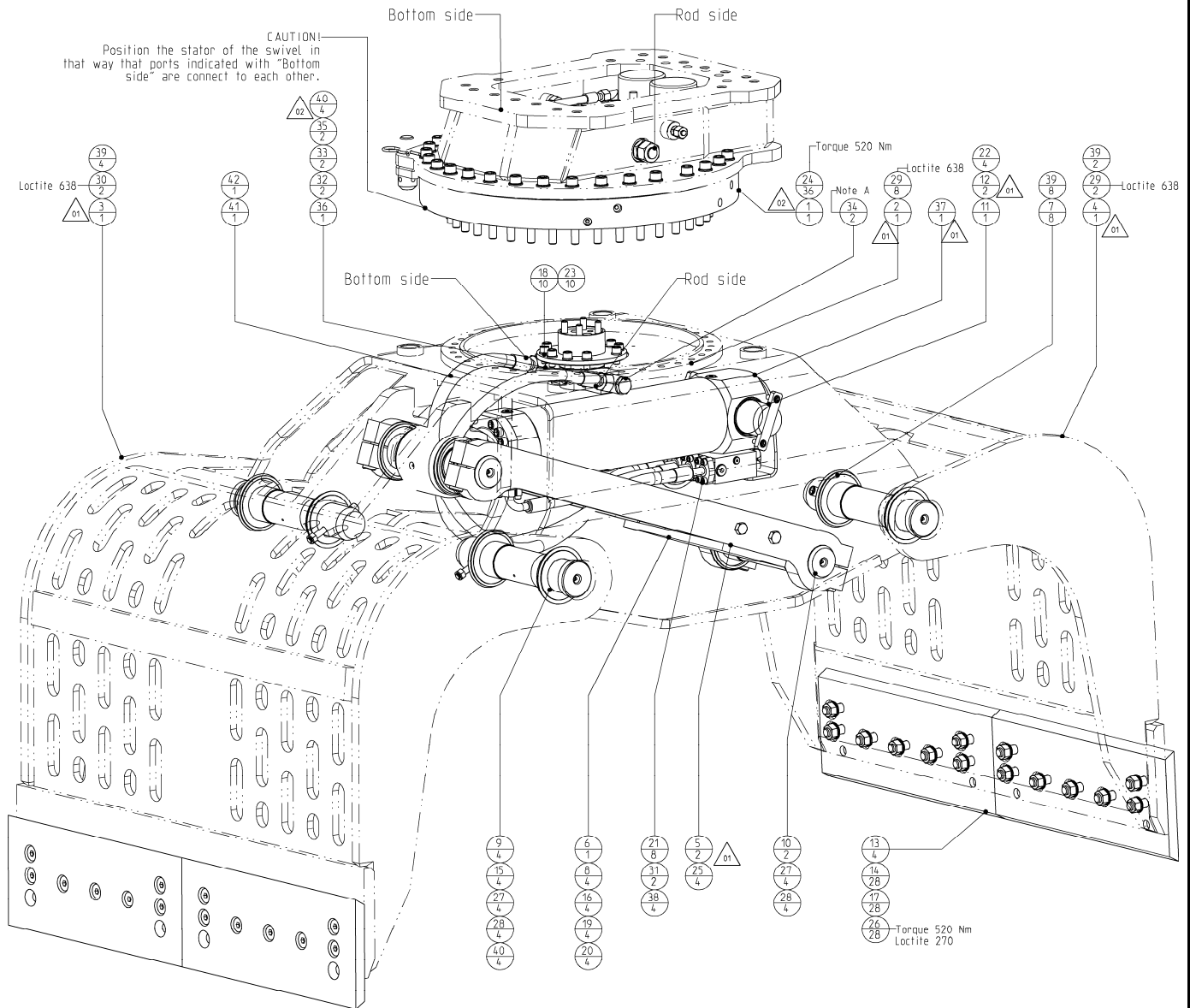
[info@demarec.com](mailto:info@demarec.com)  
[www.demarec.com](http://www.demarec.com)



*Copyright Demolition and Recycling Equipment BV  
All rights strictly reserved.  
Reproductions to third parties in any form whatever is not permitted  
without written authority from the proprietor*

*Partsbook\_402636\_03.doc*

<b>Sorting Grab</b>	Page	<b>1</b>	of	<b>12</b>
	Date	<b>October 2009</b>		
	Product type	<b>DRG-65-DN-D-D-C</b>		
<b>Grapple GP</b>	Number	<b>D70HD150ABA5 402636-03</b>		



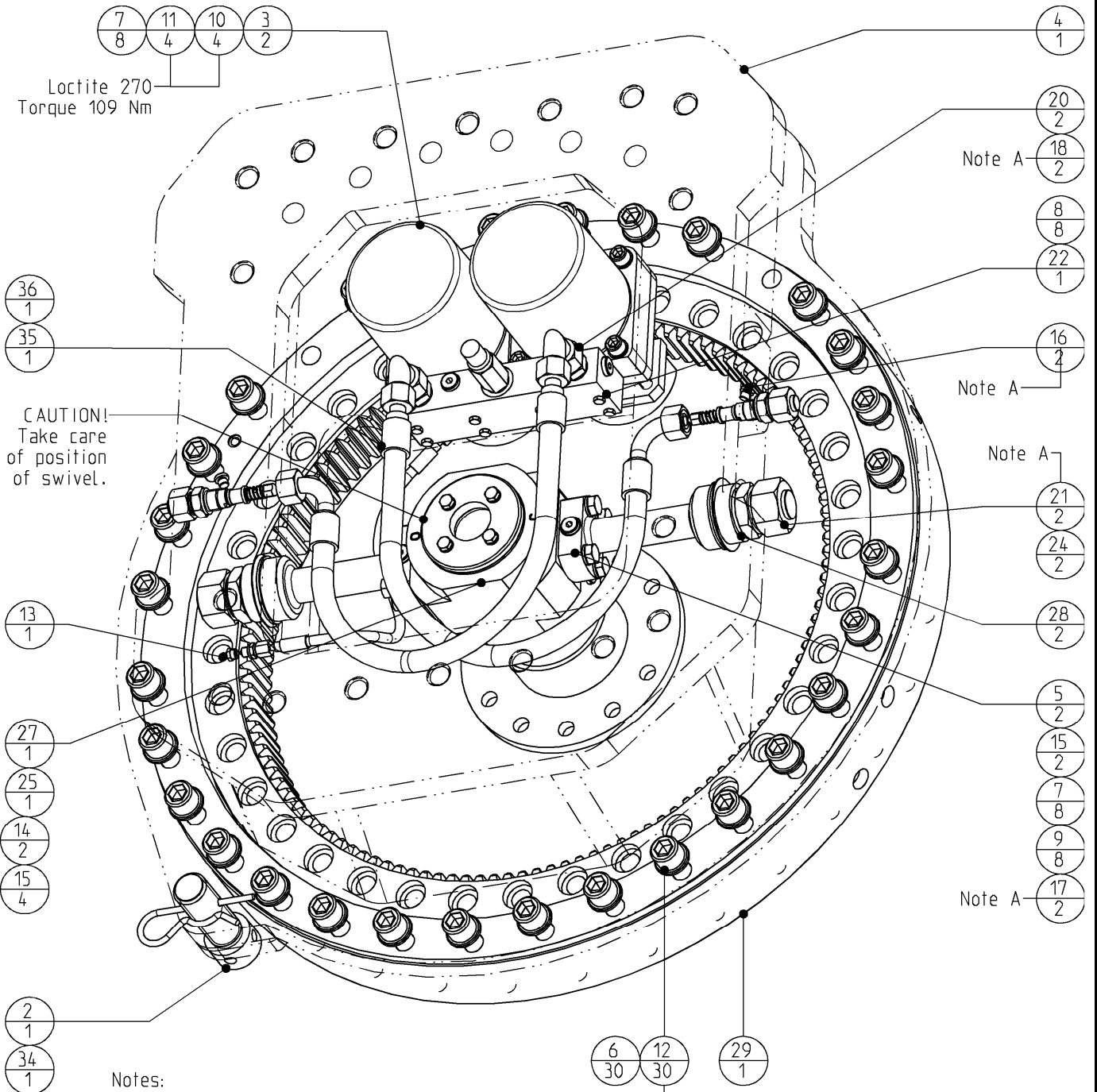
Note A

- # Degrease threads with brake cleaner.
- # Rub in- and outside threads in with Cyberbound TT62 by using a brush.
- # Clean seal from plug during screwing in.
- # A drying time from the glue of at least 1 hour needs to be respected before it has any contact with oil.

<b>Sorting Grab</b>	Page	<b>2</b>	of	<b>12</b>
	Date	<b>October 2009</b>		
	Product type	<b>DRG-65-DN-D-D-C</b>		
<b>Grapple GP</b>	Number	<b>D70HD150ABA5 402636-03</b>		

				22	500247	Hex. socket head cap screw	4
				21	500236	Hex. socket head cap screw	8
42	505046-02	Hydr. hose asm. 3/4" SAE 100R10	1	20	500164	Bolts Hexagon	4
41	505046-01	Hydr. hose asm. 3/4" SAE 100R10	1	19	500070	Washer spring	4
40	506021	Hex. socket head cap screw	8	18	500069	Washer spring	10
39	504054	Seal	14	17	500056	Washer HV	28
38	503502	SAE split-flange	4	16	500033	Nut Hexagon self-locking	4
37	502262	Cylinder group	1	15	500031	Nut Hexagon self-locking	4
36	501035	Swivel - flange	1	14	500007	Nut Hexagon	28
35	500740	Test-point	2	13	402683	Bolt on cutting edge	4
34	500665	Banjo Coupling	2	12	402682	Lockplate	2
33	500653	Blanking end	2	11	402681	Pin	1
32	500652	Blanking end	2	10	402680	Pin	2
31	500600	O-ring	2	9	402679	Pin	4
30	500589	Bushing	2	8	402678	Bushing	4
29	500586	Bushing	10	7	402677	Spacer	8
28	500561	Adapter-extension	8	6	402673	Linkage protection asm.	1
27	500560	Grease - nipple	8	5	402672	Parallel - rod DRG-65	2
26	500384	Flat countersunk head cap screws	28	4	402652	Shell asm. LH machined	1
25	500286	Hex. socket head cap screw	4	3	402650	Shell asm. RH machined	1
24	500278	Hex. socket head cap screw	36	2	402637	Housing asm. machined	1
23	500258	Hex. socket head cap screw	10	1	401783	Rotatorhead GP	1
				<b>POS</b>	<b>PARTNUMBER</b>	<b>PARTNAME</b>	<b>QT</b>

<b>Sorting Grab</b>	Page	<b>3</b>	of	<b>12</b>
	Date	<b>October 2009</b>		
	Product type	<b>DRG-65</b>		
<b>Rotatorhead GP</b>	Number	<b>401783-07</b>		



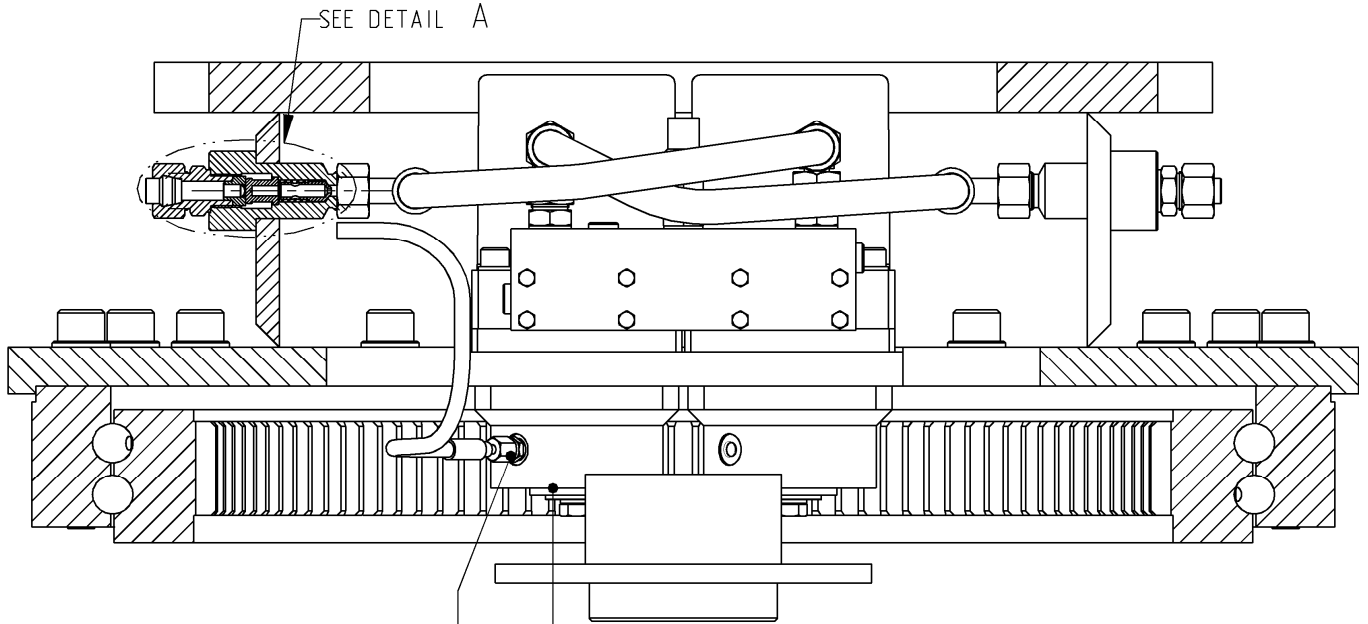
Notes:  
 # Take care of position of swivel.  
 # Use Loctite 270 for motor bolts.  
 # Mount slewing ring bolts with torque 520 Nm.

Note A  
 # Degrease threads with brake cleaner.  
 # Rub in- and outside threads in with Cyberbound TT62 by using a brush.  
 # Clean seal from plug during screwing in.  
 # A drying time from the glue of at least 1 hour needs to be respected before it has any contact with oil.

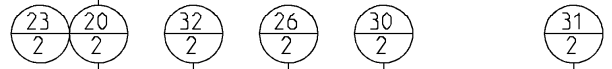
# Sorting Grab

Page	4	of	12
Date	October 2009		
Product type	DRG-65		
Number	401783-07		

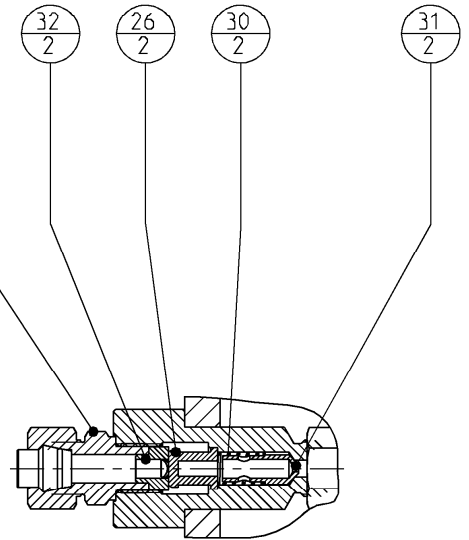
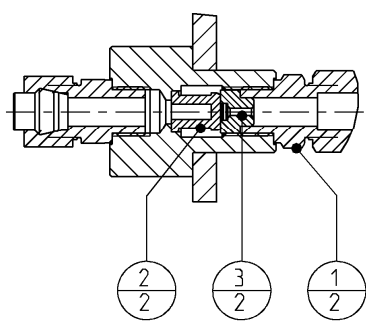
## Rotatorhead GP



Note A



REPLACED FILTER CONSTRUCTION			
POS	PARTNUMBER	PARTNAME	QT
3	502001	Drossel - ring	2
2	502000	Filter	2
1	500693	Male stud coupling	2



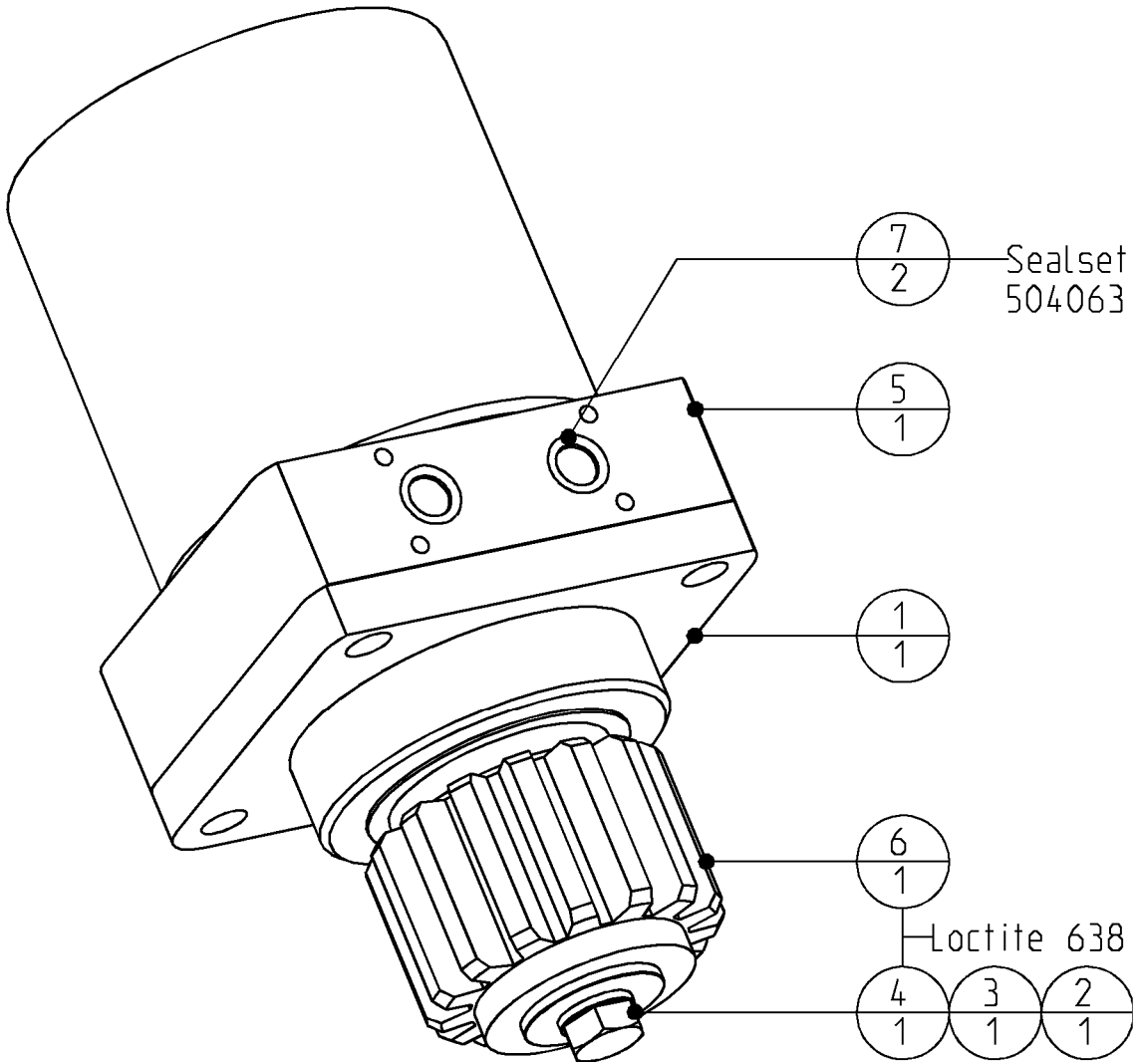
DETAIL A  
SCALE 1:2

- Note A
- # Degrease threads with brake cleaner.
  - # Rub in- and outside threads in with Cyberbound TT62 by using a brush.
  - # Clean seal from plug during screwing in.
  - # A drying time from the glue of at least 1 hour needs to be respected before it has any contact with oil.

<b>Sorting Grab</b>	Page	<b>5</b>	of	<b>12</b>
	Date	<b>October 2009</b>		
	Product type	<b>DRG-65</b>		
<b>Rotatorhead GP</b>	Number	<b>401783-07</b>		

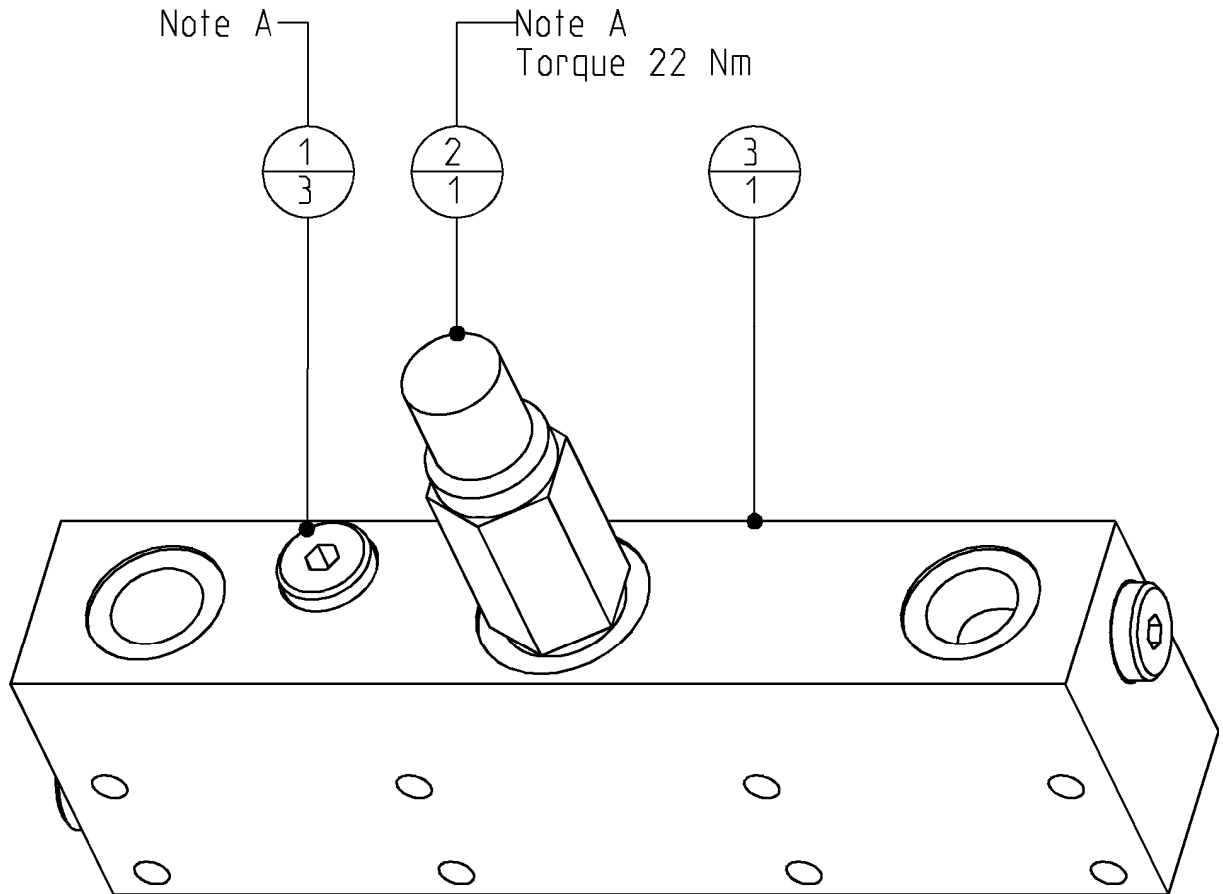
27	502286 (1x)	501030 (1x)					
<b>POS</b>	<b>CURRENT PART</b>	<b>EXPIRED PART</b>					
* = EXPIRED PARTS							
36	500840-10	Hydr. hose asm. 1/2" SAE 100 R2AT	1	18	500673	Adjustable male stud elbow	2
35	500840-09	Hydr. hose asm. 1/2" SAE 100 R2AT	1	17	500650	Blanking end	2
34	500504-3	Locking pin (hair-pin)	1	16	500649	Blanking end	2
33	296012594_VG01	Hydr. hose asm. 3/16" SAE 100R1AT	1	15	500601	O-ring	6
32	773058645	Drossel - ring	2	14	500600	O-ring	2
31	273058601	Cone - valve + restriction	2	13	500560	Grease - nipple	1
30	165050749	Spring	2	12	500278	Hex. socket head cap screw	30
29	507000	Stewing Ring; Internal Gear	1	11	500255	Hex. socket head cap screw	4
28	504016	Seal	2	10	500253	Hex. socket head cap screw	4
27	502286	Swivel GP	1	9	500135	Bolts Hexagon	8
26	502000	Filter	2	8	500099	Bolts Hexagon	8
25	501074	Swivel - Flange Intermed.	1	7	500068	Washer spring	16
24	500948	Blanking plug	2	6	500055	Washer HV	30
23	500945	Blanking plug	2	5	401793	Hydraulic flange - pipe	2
22	500758	Valve GP	1	4	401784	Rotatorhead asm. machined	1
21	500696	Male stud coupling	2	3	401201	Motor GP	2
20	500693	Male stud coupling	4	2	400066	Lock - pin	1
19	500690	Male stud coupling	2	1	400063	Cap - Pinion	2
				<b>POS</b>	<b>PARTNUMBER</b>	<b>PARTNAME</b>	<b>QT</b>

<b>Sorting Grab</b>	Page	<b>6</b>	of	<b>12</b>
	Date	<b>October 2009</b>		
	Product type	<b>DRG-65</b>		
<b>Hydraulic motor GP</b>	Number	<b>401201-01</b>		



7	504070	O-ring	2
6	500851	Pinion	1
5	500763	Hydro-motor	1
4	500131	Bolts Hexagon	1
3	500068	Washer spring	1
2	500062	Washer car	1
1	400593	Motor-flange	1
<b>POS</b>	<b>PARTNUMBER</b>	<b>PARTNAME</b>	<b>QT</b>

<b>Sorting Grab</b>	Page	<b>7</b>	of	<b>12</b>
	Date	<b>October 2009</b>		
	Product type	<b>DRG-65</b>		
<b>Valve GP</b>	Number	<b>500758-03</b>		



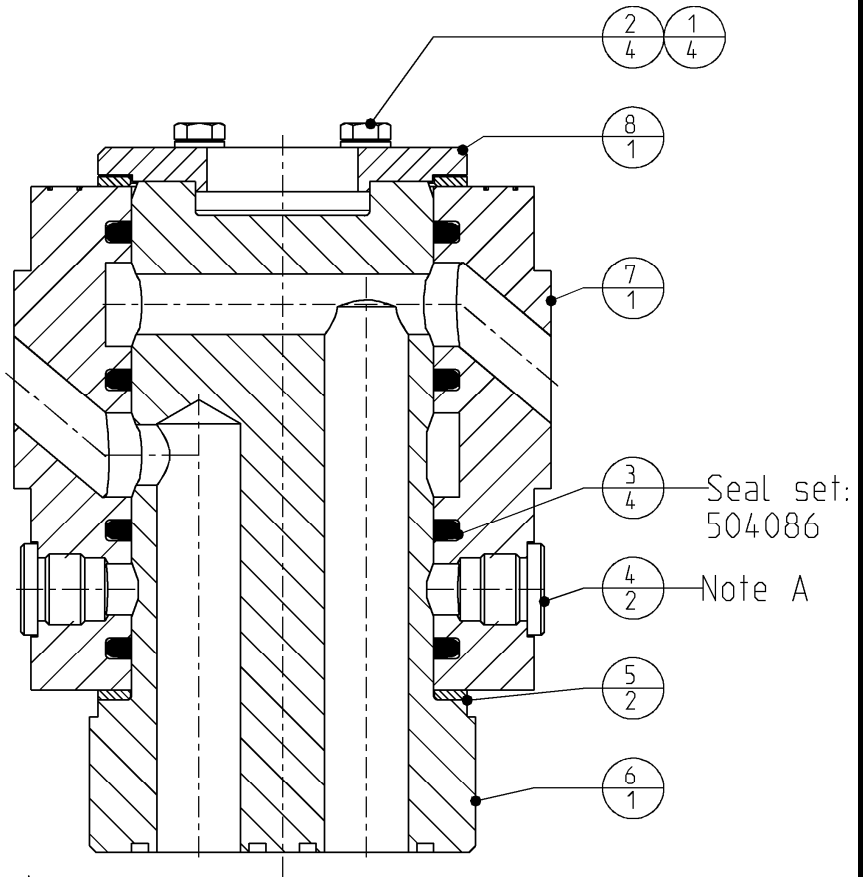
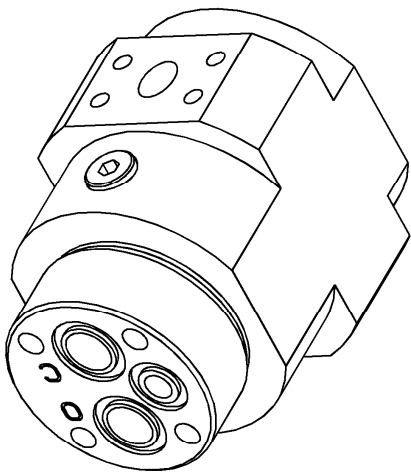
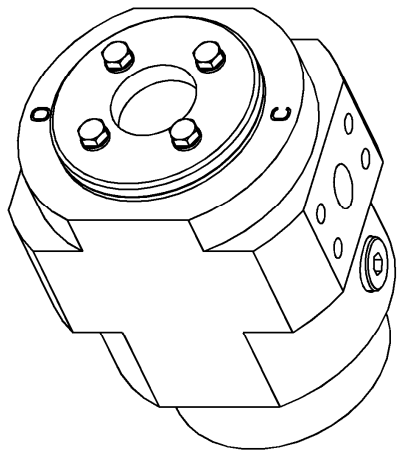
Note A

- # Degrease threads with brake cleaner.
- # Rub in- and outside threads in with Cyberbound TT62 by using a brush.
- # Clean seal from plug during screwing in.
- # A drying time from the glue of at least 1 hour needs to be respected before it has any contact with oil.

3	500759	Baseplate	1
2	500757	cross-over relieve valve	1
1	500650	Blanking end	3
<b>POS</b>	<b>PARTNUMBER</b>	<b>PARTNAME</b>	<b>QT</b>



<b>Sorting Grab</b>	Page	<b>8</b>	of	<b>12</b>
	Date	<b>October 2009</b>		
	Product type	<b>DRG-65</b>		
<b>Swivel GP</b>	Number	<b>502286-01</b>		

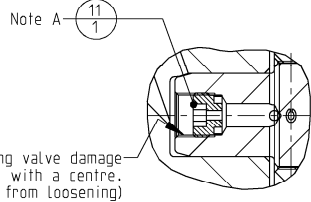
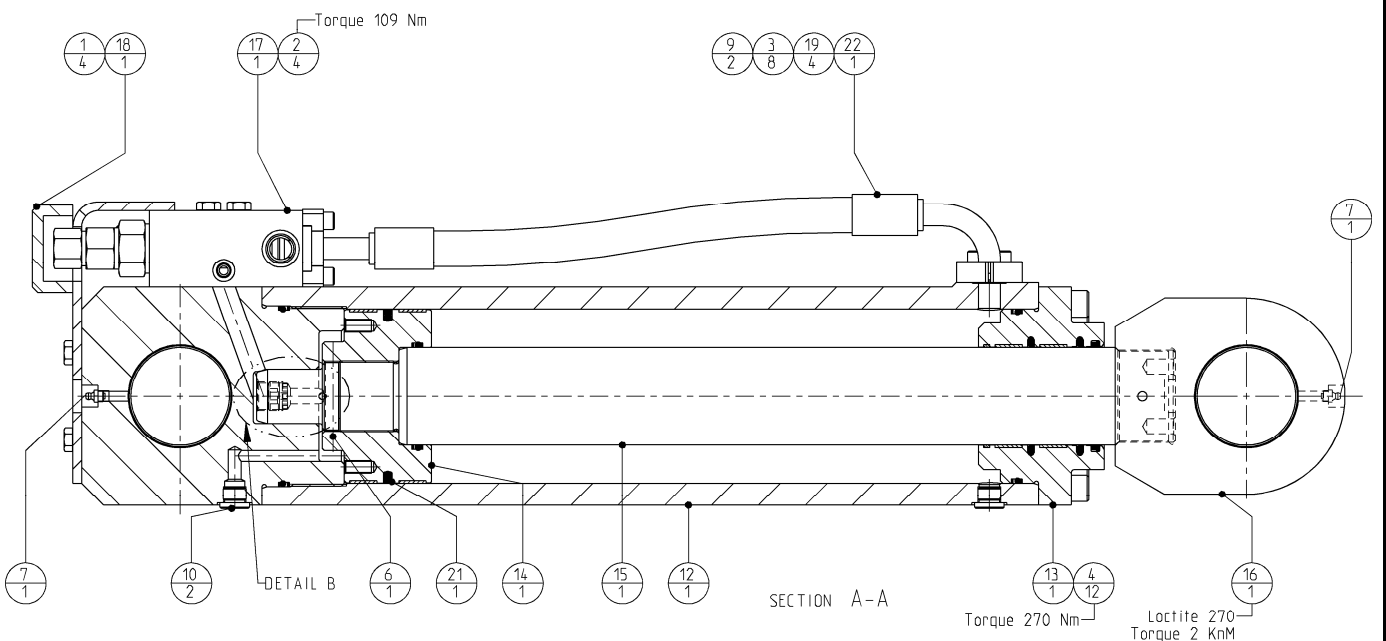
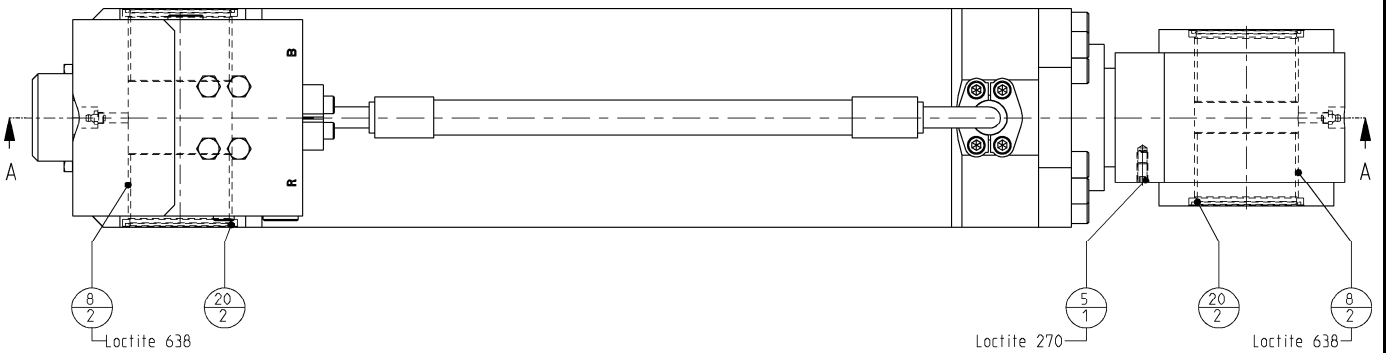


**Note A**

- # Degrease threads with brake cleaner.
- # Rub in- and outside threads in with Cyberbound TT62 by using a brush.
- # Clean seal from plug during screwing in.
- # A drying time from the glue of at least 1 hour needs to be respected before it has any contact with oil.

8	502289	Cover	1
7	502288	Housing	1
6	502287	Stator	1
5	500832	Axial ring	2
4	500652	Blanking end	2
3	500630	Seal - Roto Glyd Ring with Rotolock	4
2	500105	Bolts Hexagon	4
1	500066	Washer spring	4
<b>POS</b>	<b>PARTNUMBER</b>	<b>PARTNAME</b>	<b>QT</b>

<b>Sorting Grab</b>	Page	<b>9</b>	of	<b>12</b>
	Date	<b>October 2009</b>		
	Product type	<b>DRG-65</b>		
<b>Cylinder GP</b>	Number	<b>502262-03</b>		

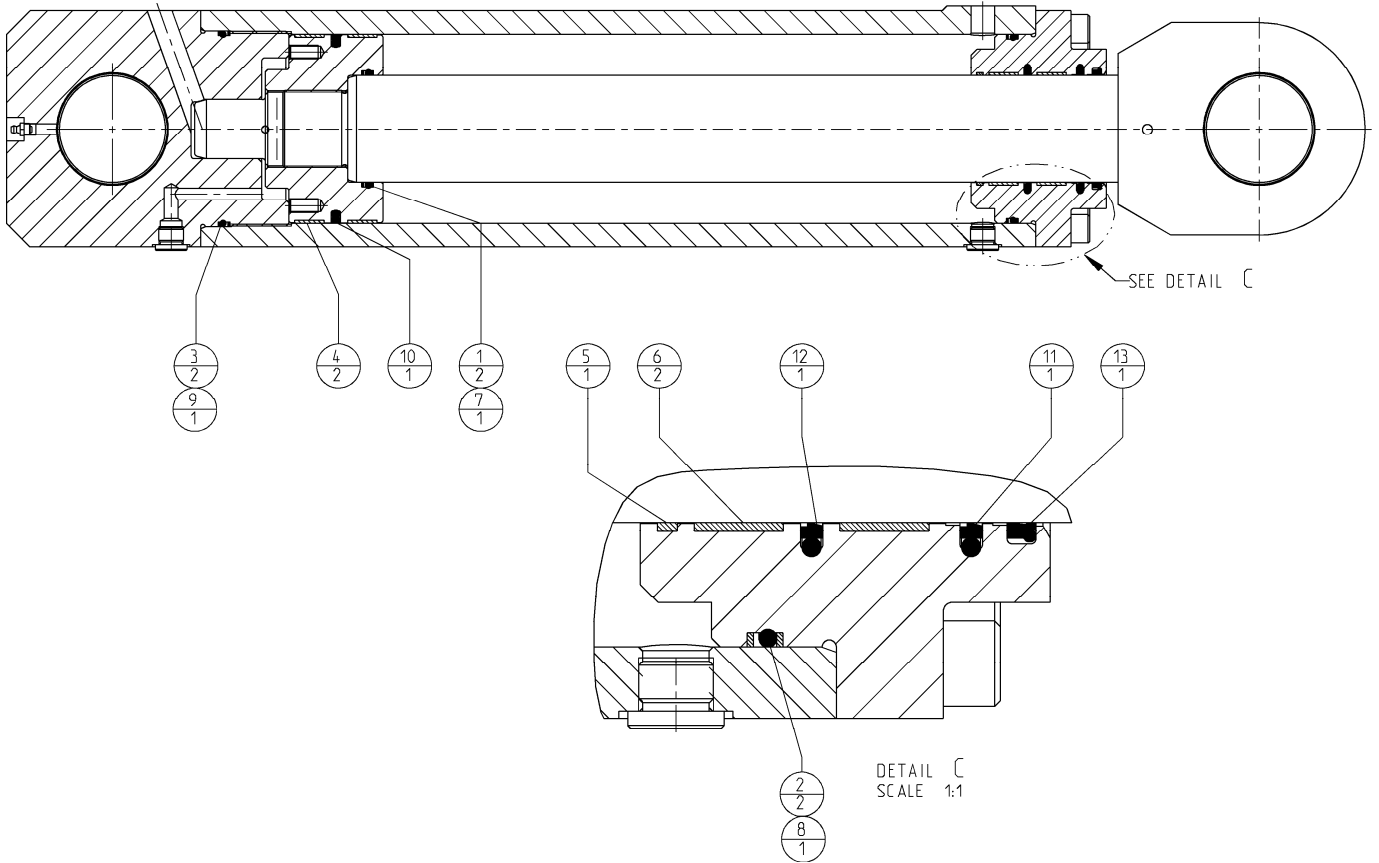


- Note A
- # Degrease threads with brake cleaner.
  - # Rub in- and outside threads in with Cyberbound TT62 by using a brush.
  - # Clean seal from plug during screwing in.
  - # A drying time from the glue of at least 1 hour needs to be respected before it has any contact with oil.

<b>Sorting Grab</b>	<i>Page</i>	<b>10</b>	<i>of</i>	<b>12</b>
	<i>Date</i>	<b>October 2009</b>		
	<i>Product type</i>	<b>DRG-65</b>		
<b>Cylinder GP</b>	<i>Number</i>	<b>502262-03</b>		

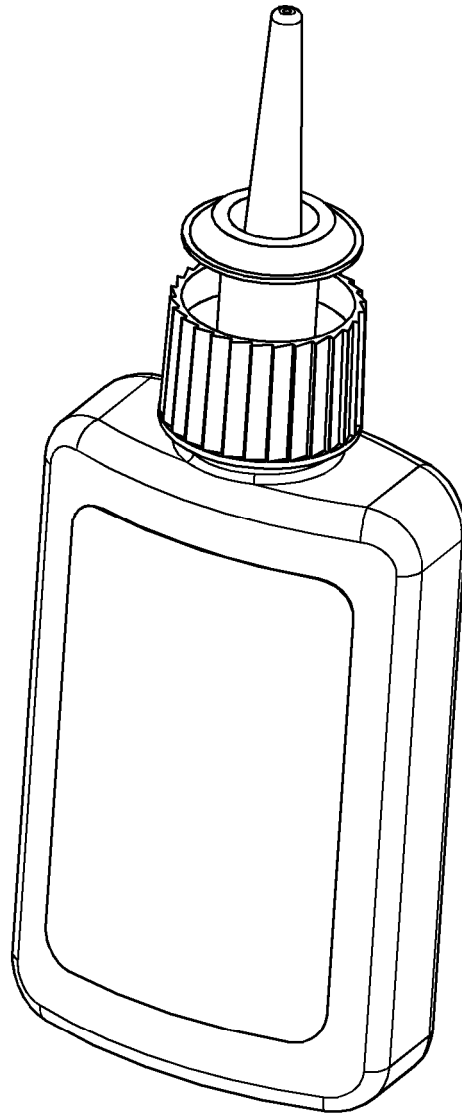
22	505045_VG01	Hydr. hose asm. 3/4" SAE 100R10	1
21	502279_RMS02262	Sealset	1
20	504055	Scraper SWP	4
19	503502	SAE split-flange	4
18	502276	Protection cap asm.	1
17	502272	Valve group	1
16	502269	Rod - eye asm.	1
15	502268	Rod	1
14	502267	Piston	1
13	502266	Cylinder - head	1
12	502263	Cylinder - house asm.	1
11	502118	Non-return valve	1
10	500652	Blanking end	2
9	500600	O-ring	2
8	500586	Bushing	4
7	500560	Grease - nipple	2
6	500525	Springtype straight pin	1
5	500420	Hex. socket set screw	1
4	500263	Hex. socket head cap screw	12
3	500236	Hex. socket head cap screw	8
2	500139	Bolts Hexagon	4
1	500131	Bolts Hexagon	4
<b>POS</b>	<b>PARTNUMBER</b>	<b>PARTNAME</b>	<b>QT</b>

<b>Sorting Grab</b>	Page	<b>11</b>	of	<b>12</b>
	Date	<b>October 2009</b>		
	Product type	<b>DRG-65</b>		
<b>Sealset</b>	Number	<b>502279-00</b>		



13	WE5200900	Turcon Excluder 5	1
12	RSK300900	Turcon Stepseal 2K	1
11	RR1300900	Zurcon Rimseal	1
10	PT0401600	Turcon Glydring T	1
9	OR5015500	O-ring	1
8	OR5015000	O-ring	1
7	OR5009000	O-ring	1
6	GR7500900	Bearing Luytex	2
5	GR6500900	Bearing Turcite	1
4	GP7501600	Bearing Luytex	2
3	BU4001580	Back-up ring	2
2	BU4001520	Back-up ring	2
1	BU4000900	Back-up ring	2
<b>POS</b>	<b>PARTNUMBER</b>	<b>PARTNAME</b>	<b>QT</b>

<b>Multi Quick Processor</b>	<i>Page</i>	<b>12</b>	<i>of</i>	<b>12</b>
	<i>Date</i>	<b>October 2009</b>		
	<i>Product type</i>	<b>DRG-65</b>		
<b>Chemical lock</b>	<i>Number</i>	<b>n.a.</b>		



195050158	Cyberbond TT62 Pumpgel	1
506017	Loctite 638 Flacon 50 ml	1
506016	Loctite 270 Flacon 50 ml	1
<b>PARTNUMBER</b>	<b>PARTNAME</b>	<b>QT</b>