

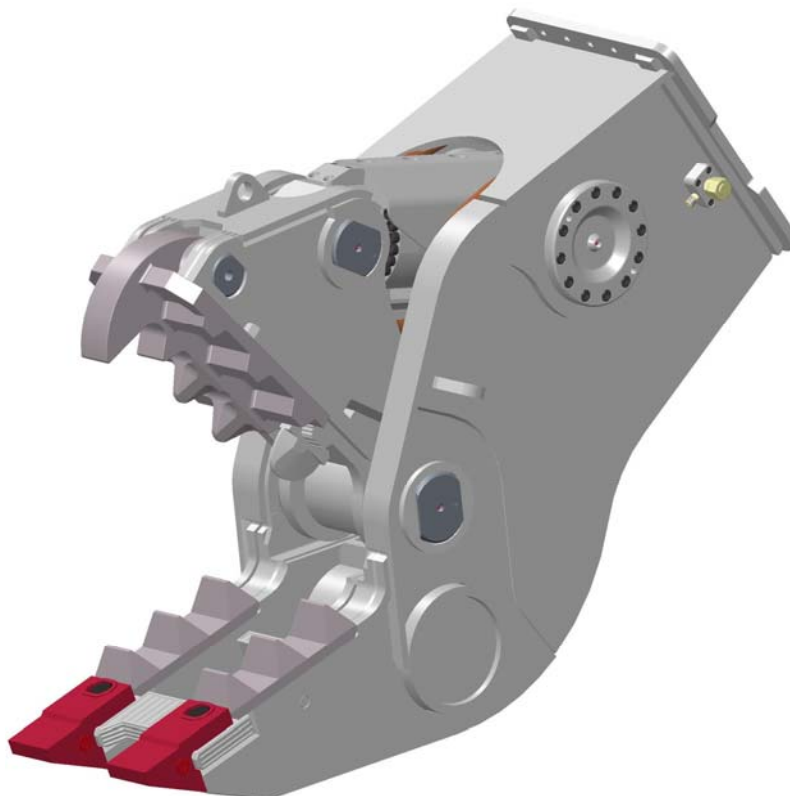


## Partsbook

for

## Static Pulverizer DSP-45 Extreme

Product	Part Number	Ref.
DSP-45 Extreme Serie 2	DSP45H120BAA5	



Partsbook\_dsp45h120baa5-a.docx

August 2014

**Demarec** Demolition and Recycling Equipment BV

Den Hoek 10, 5845 EL St. Anthonis, Netherlands

TEL.  
FAX

+31 (0) 485 442300  
+31 (0) 485 442120

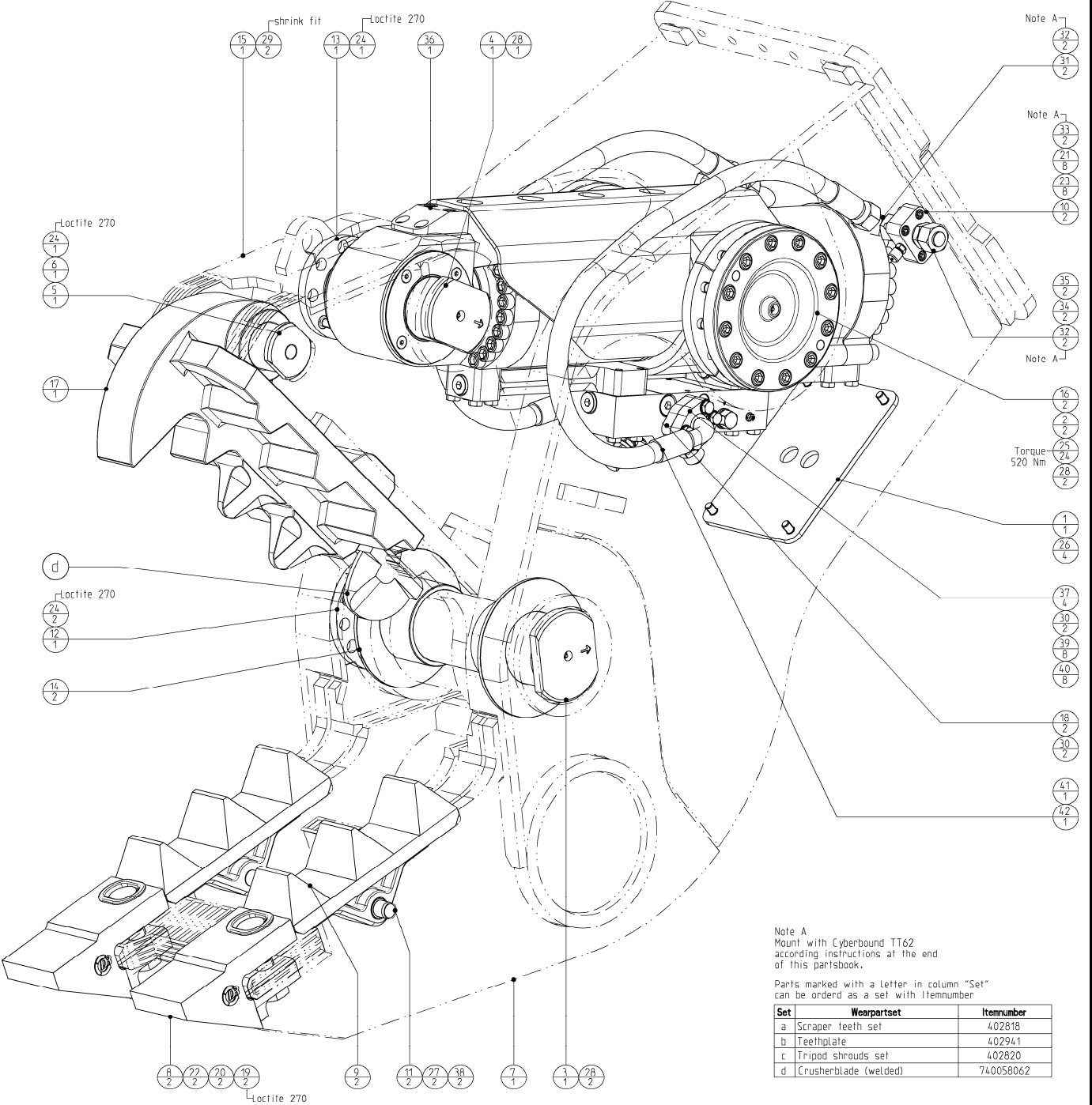
INTERNET  
E-MAIL

[www.demarec.com](http://www.demarec.com)  
[info@demarec.com](mailto:info@demarec.com)

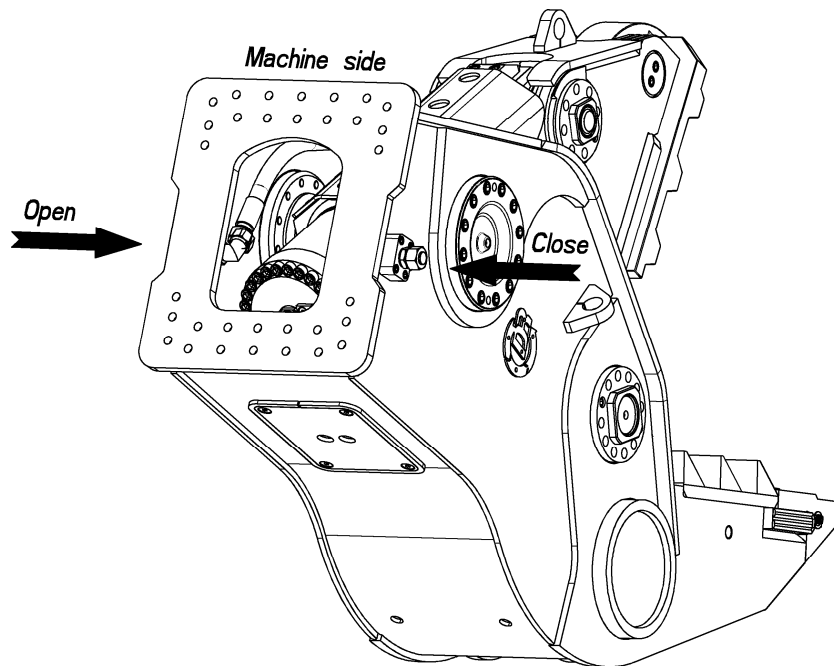
# Static Pulverizer

Page	1	of	16
Date	August 2014		
Product type	DSP-45 Extreme		
Number	DSP45H120BAA5-A		

## Housing GP



Static Pulverizer	Page	2	of	16
	Date	August 2014		
	Product type	DSP-45 Extreme		
Housing GP	Number	DSP45H120BAA5-A		

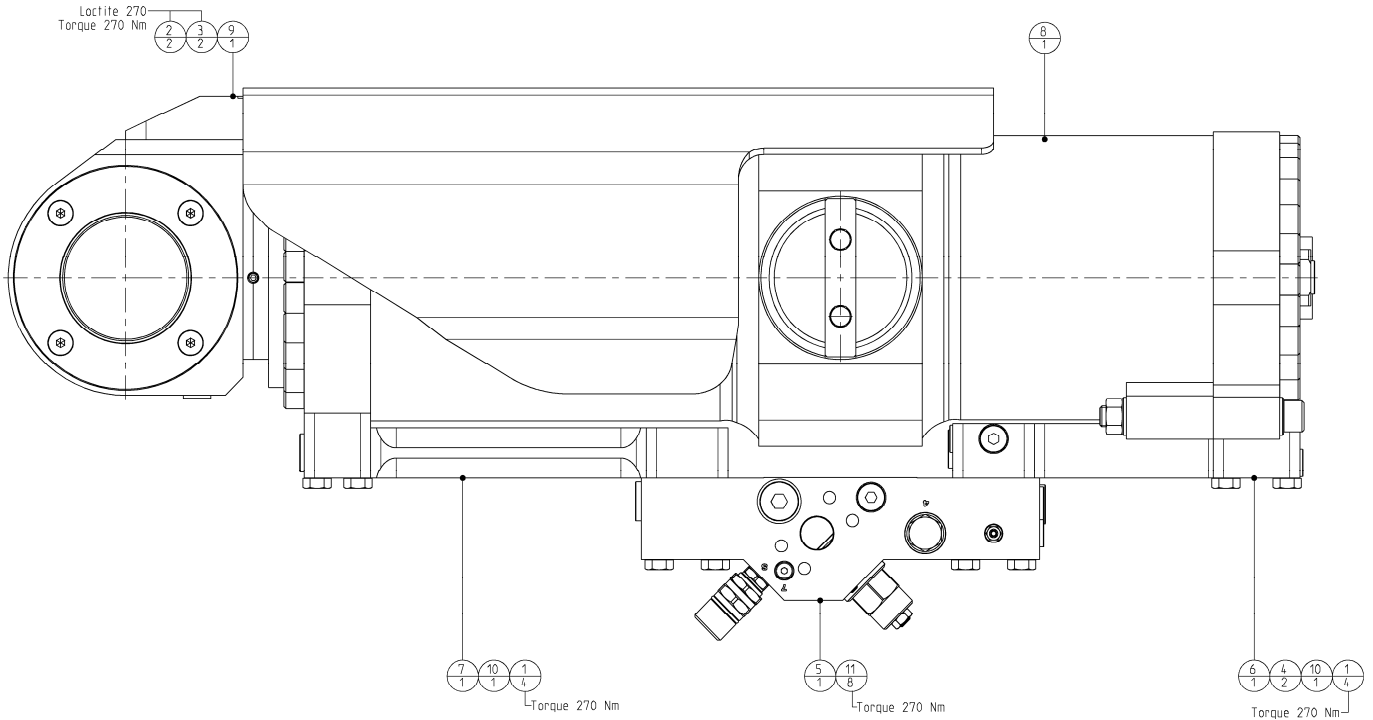


					d	25	500276	Hex. socket head cap screw	24
						24	500258	Hex. socket head cap screw	4
						23	500250	Hex. socket head cap screw	8
					a	22	500201	Bolts Hexagon	2
						21	500077	Washer spring	8
					a	20	500058	Washer HV	2
					a	19	500009	Nut Hexagon	2
						18	406073	Flange - intermed. SAE 1 1/4"	2
	42	505001_RH_RM_DSP-30	Hydr. hose asm. 1" SAE 100R13	1	b	17	402941	Teethplate 45 serie	1
	41	505001_LH_RM_DSP-30	Hydr. hose asm. 1" SAE 100R13	1		16	402918	Bearing housing	2
	40	122000163	Washer normal	8		15	402521	Jaw asm. machined	1
	39	506050	Bolts Hexagon	8		14	402482	Spacer	2
c	38	504053	O-ring	2		13	401313	Locknut	1
	37	503504	SAE split-flange	4		12	401312	Locknut	1
	36	501300	Hydraulic Cylinder & Valve GP	1	c	11	401311	Lock - pin	2
	35	500948	Blanking plug	2		10	401200	Flange	2
	34	500943	Nut coupling	2	c	9	401194	Shroud - tripod	2
	33	500740	Test-point	2	a	8	401193	Tooth - scraper	2
	32	500698	Male stud coupling	4		7	401190	Housing asm. machined	1
	31	500676	Adjustable male stud elbow	2		6	400730	Lock - cover	1
	30	500603	O-ring	4		5	400727	Pin	1
	29	500573	Bushing	2		4	400726	Pin	1
	28	500560	Grease - nipple	5		3	400725	Pin	1
c	27	500559	Tension bush - outside	2		2	400722	Ring	2
	26	500358	Flat countersunk head cap screws	4		1	400673	Cover	1
					<b>Set</b>	<b>POS</b>	<b>PARTNUMBER</b>	<b>PARTNAME</b>	<b>QT</b>

# Static Pulverizer

Page	3	of	16
Date	August 2014		
Product type	DSP-45 Extreme		
Number	501300-00		

## Cylinder & Valve GP

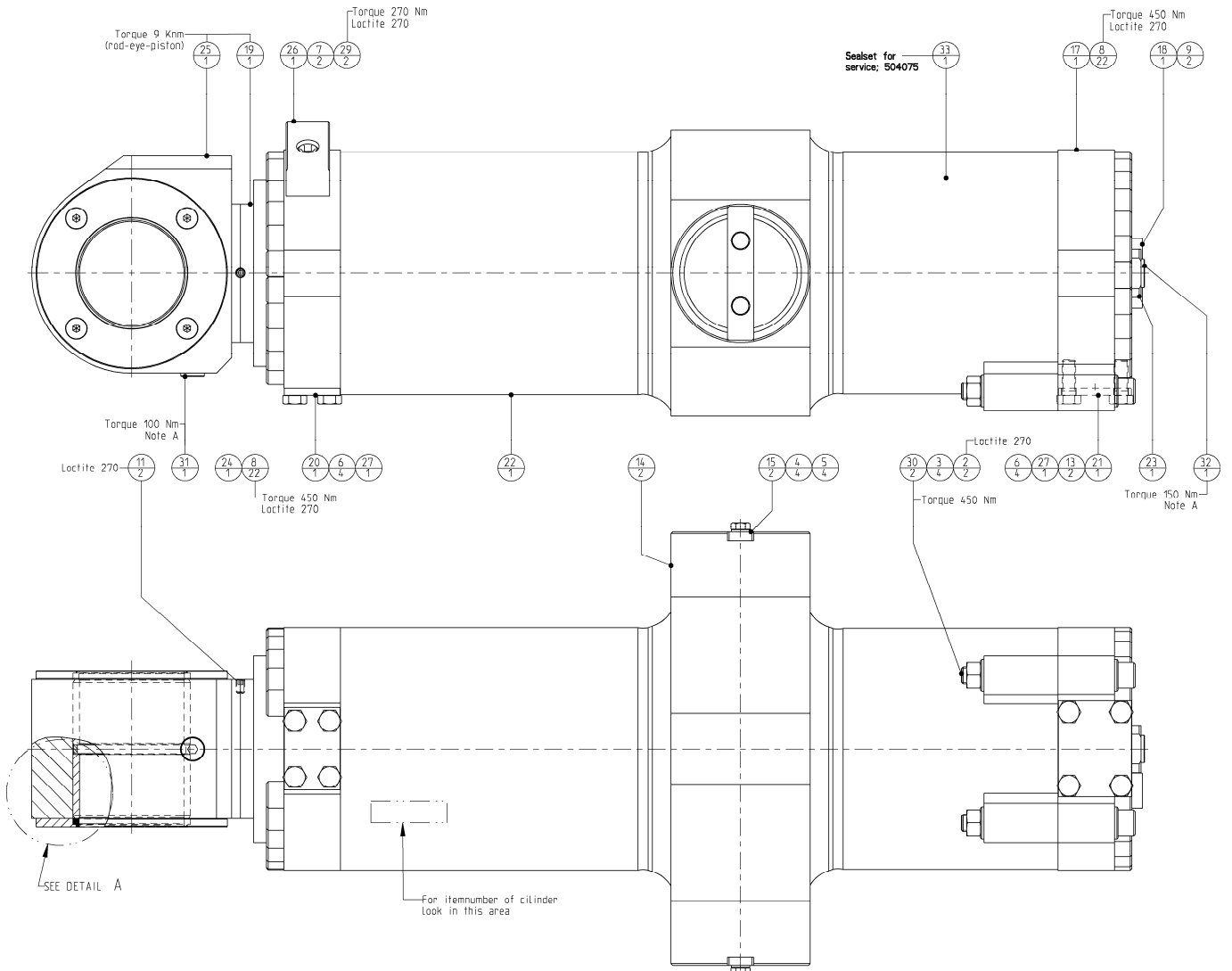


11	120013886	Bolts Hexagon	8
10	504009	O-ring	2
9	502723	Protection cap asm.	1
8	502696	Hydraulic cylinder GP	1
7	502413	Flange - rod GP	1
6	502412	Flange - bottom GP	1
5	501240	Valve GP DemaPower 2.0	1
4	500600	O-ring	2
3	500265	Hex. socket head cap screw	2
2	500262	Hex. socket head cap screw	2
1	500150	Bolts Hexagon	8
<b>POS</b>	<b>PARTNUMBER</b>	<b>PARTNAME</b>	<b>QT</b>

# Static Pulverizer

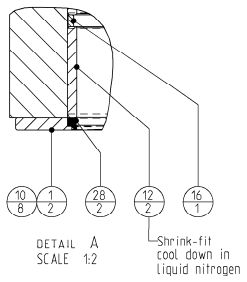
Page	4	of	16
Date	August 2014		
Product type	DSP-45 Extreme		
Number	502696-02		

## Cylinder GP



SEE DETAIL A

For item number of cilinder look in this area

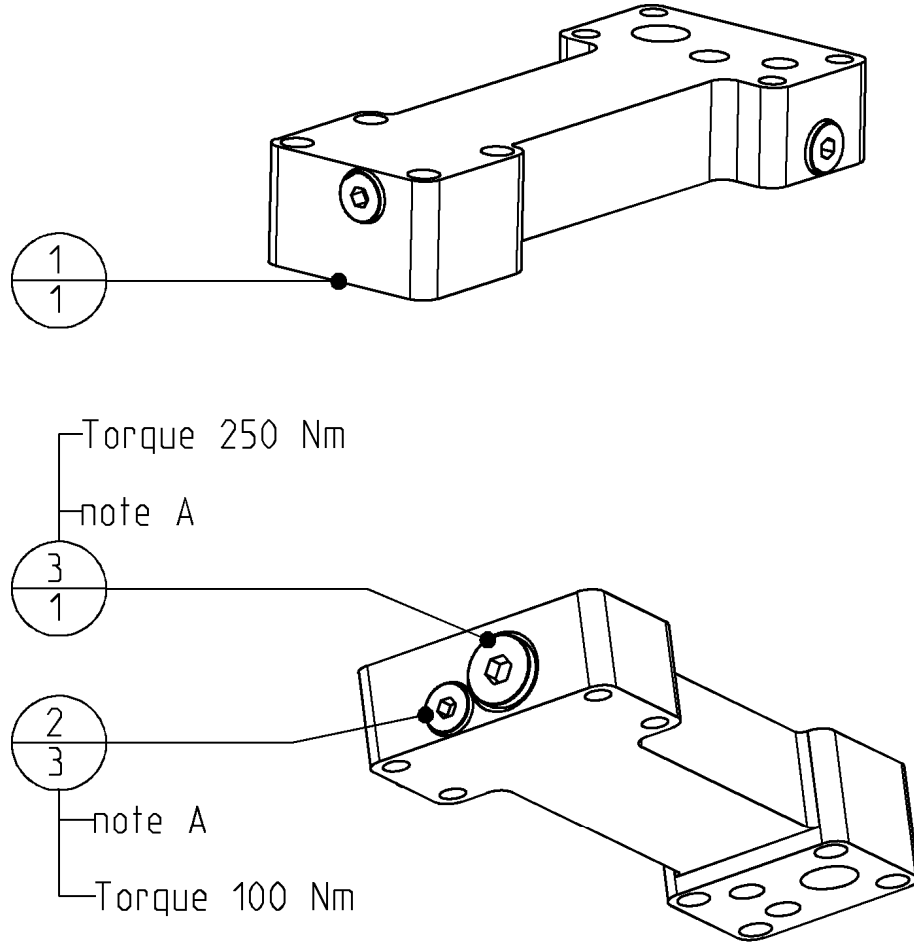


note A  
Mount with Lyberbound 1162 according instructions at the end of this partbook.

Static Pulverizer	<i>Page</i>	5	<i>of</i>	16
	<i>Date</i>	August 2014		
	<i>Product type</i>	DSP-45 Extreme		
Cylinder GP	<i>Number</i>	502696-02		

33	502363_RM502511	Seal - set	1
32	290058185	Blanking end ISO 6149	1
31	290058184	Blanking end ISO 6149	1
30	506048	Hex. socket head cap screw	2
29	506033	Lockwasher - Schnorr	2
28	504020	Scraper	2
27	504009	O-ring	2
26	502728	Support - protection cap	1
25	502722	Rod - eye	1
24	502399	Cylinder - head	1
23	502398	Bolt - banjo asm.	1
22	502392	Cylinder - house asm.	1
21	502254	Blanking cover	1
20	502253	Blanking cover	1
19	502195	Rod - tube	1
18	502112	Lockplate	1
17	501301	Bottom asm.	1
16	501021	Spacer	1
15	501016	Lockplate	2
14	501015	Bearing	2
13	500600	O-ring	2
12	500572	Bushing	2
11	500417	Hex. socket set screw	2
10	500347	Flat countersunk head cap screws	8
9	500333	Flat countersunk head cap screws	2
8	500277	Hex. socket head cap screw	44
7	500260	Hex. socket head cap screw	2
6	500144	Bolts Hexagon	8
5	500133	Bolts Hexagon	4
4	500068	Washer spring	4
3	500055	Washer HV	4
2	500006	Nut Hexagon	2
1	401725	Spacer	2
<b>POS</b>	<b>PARTNUMBER</b>	<b>PARTNAME</b>	<b>QT</b>

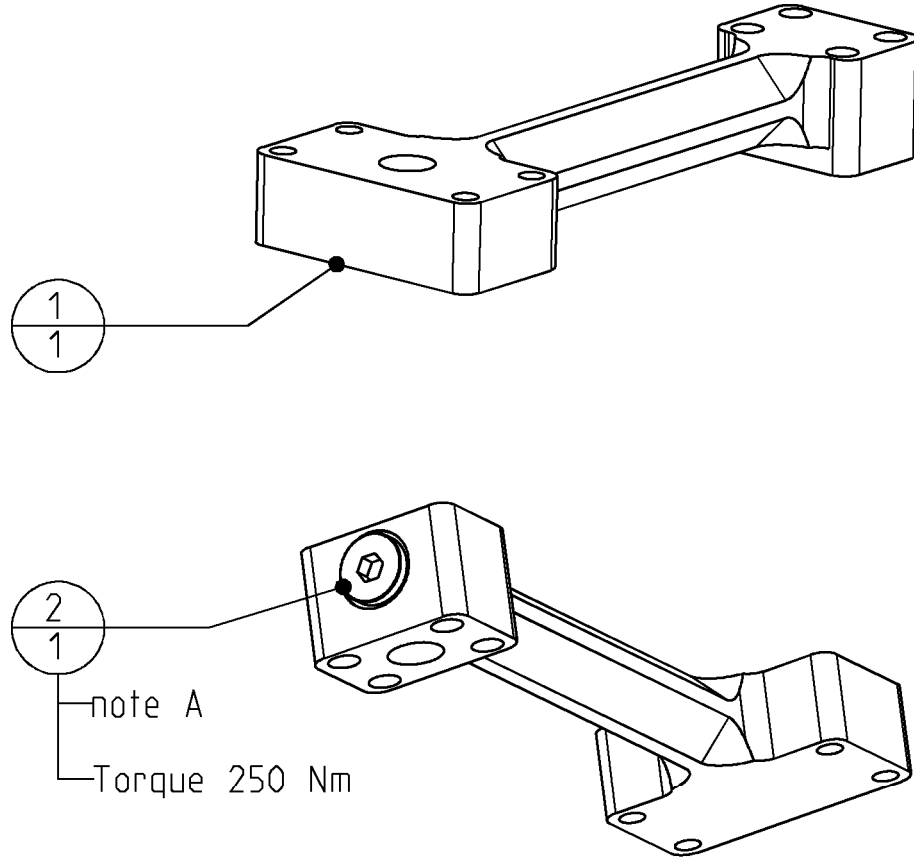
Static Pulverizer	Page	6	of	16
	Date	August 2014		
	Product type	DSP-45 Extreme		
Flange GP bottom	Number	502412-02		



note A  
Mount with Cyberbound TT62  
according instructions at the end  
of this partsbook.

3	290058186	Blanking end ISO 6149	1
2	290058184	Blanking end ISO 6149	3
1	502093	Flang - bottom	1
<b>POS</b>	<b>PARTNUMBER</b>	<b>PARTNAME</b>	<b>QT</b>

Static Pulverizer	Page	7	of	16
	Date	August 2014		
	Product type	DSP-45 Extreme		
Flange GP rod	Number	502413-02		

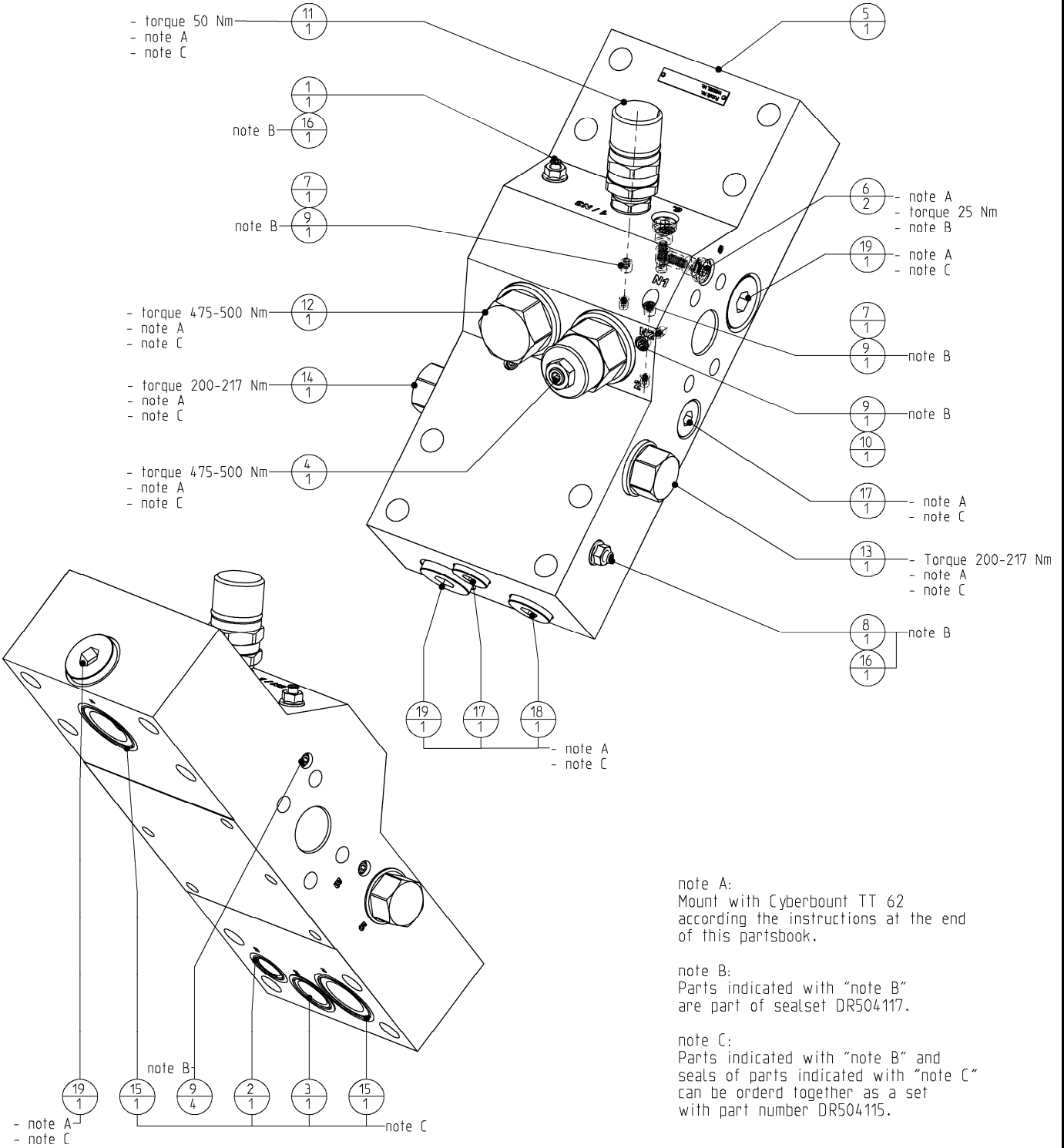


note A  
Mount with Cyberbound TT62  
according instructions at the end  
of this partsbook.

2	290058186	Blanking end ISO 6149	1
1	502094	Flange - rod	1
<b>POS</b>	<b>PARTNUMBER</b>	<b>PARTNAME</b>	<b>QT</b>



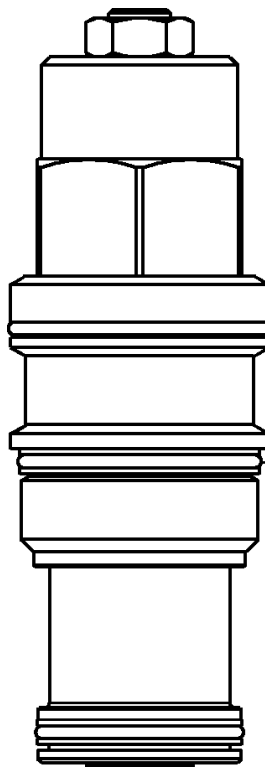
Static Pulverizer	Page	8	of	16
	Date	August 2014		
	Product type	DSP-45 Extreme		
Valve GP	Number	501240-00		



Static Pulverizer	<i>Page</i>	9	of	16
	<i>Date</i>	August 2014		
	<i>Product type</i>	DSP-45 Extreme		
Valve GP	<i>Number</i>	501240-00		

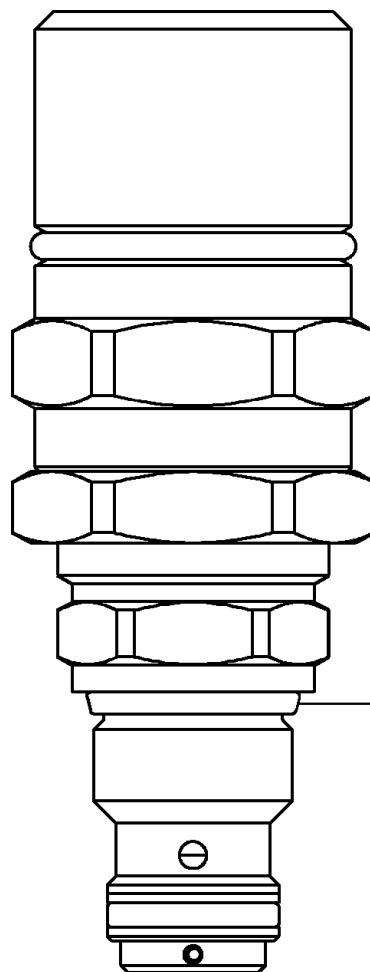
19	290058186	Blanking end ISO 6149	3
18	290058185	Blanking end ISO 6149	1
17	290058184	Blanking end ISO 6149	2
16	121067231	Nut Hexagon sealing	2
15	504009	Quad-ring	2
14	502117	Valve - check	1
13	501378	Valve - check	1
12	501377	Valve - check	1
11	501376	Valve - overload protection	1
10	501246	Blanking end	1
9	501245	Blanking plug	7
8	501244	Bleeding screw	1
7	501243	Orifice $\varnothing$ 0,5	2
6	501242	Valve - check	2
5	501241	Housing	1
4	501235	Valve - counter balance	1
3	500601	Seal - flange	1
2	500600	Seal - flange	1
1	500412	Hex. socket set screw	1
<b>POS</b>	<b>PARTNUMBER</b>	<b>PARTNAME</b>	<b>QT</b>

Static Pulverizer	<i>Page</i>	10	<i>of</i>	16
	<i>Date</i>	August 2014		
	<i>Product type</i>	DSP-45 Extreme		
Counter balance valve	<i>Number</i>	501235-00		



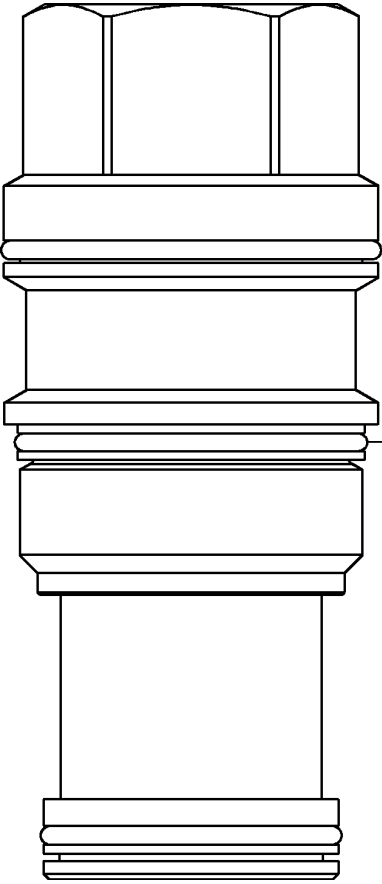
Sealset 504114

Static Pulverizer	<i>Page</i>	11	<i>of</i>	16
	<i>Date</i>	August 2014		
	<i>Product type</i>	DSP-45 Extreme		
Overload protection valve	<i>Number</i>	501376-00		



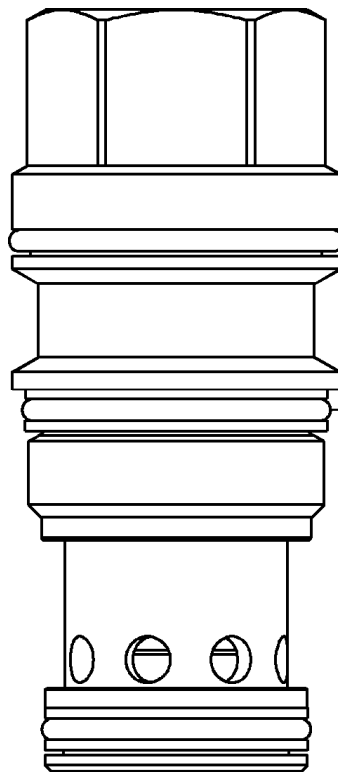
Sealset 504119

Static Pulverizer	Page	12	of	16
	Date	August 2014		
	Product type	DSP-45 Extreme		
Check valve	Number	501377-00		



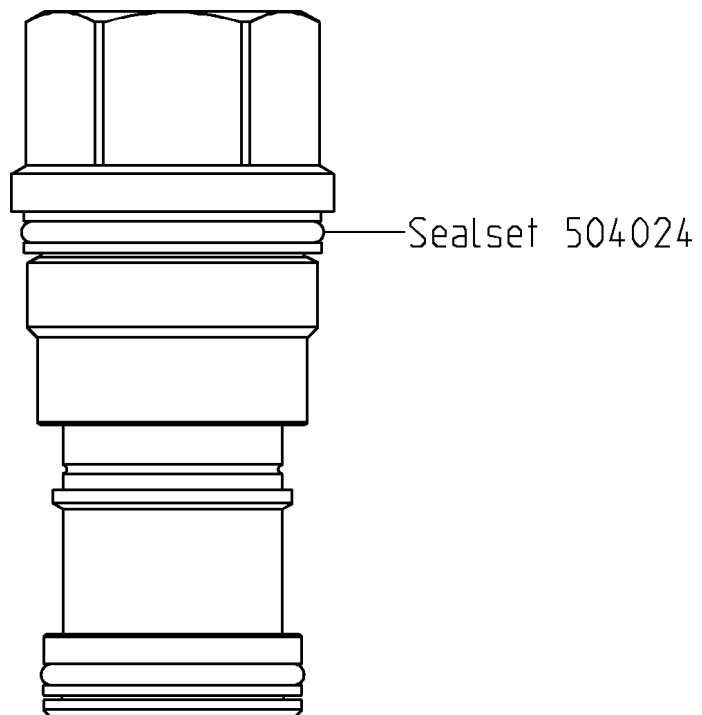
Sealset 504114

Static Pulverizer	Page	13	of	16
	Date	August 2014		
	Product type	DSP-45 Extreme		
Check valve	Number	501378-00		



Sealset 504057

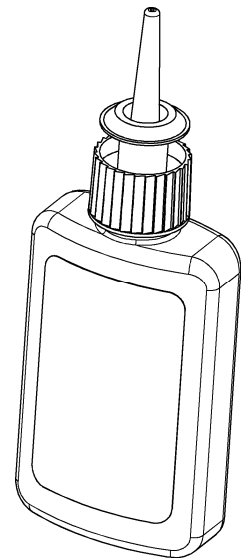
Static Pulverizer	Page	14	of	16
	Date	August 2014		
	Product type	DSP-45 Extreme		
Check valve	Number	502117-01		



Static Pulverizer	Page	15	of	16
	Date	August 2014		
	Product type	DSP-45 Extreme		
Additional parts	Number	n.a.		

## Chemical lock

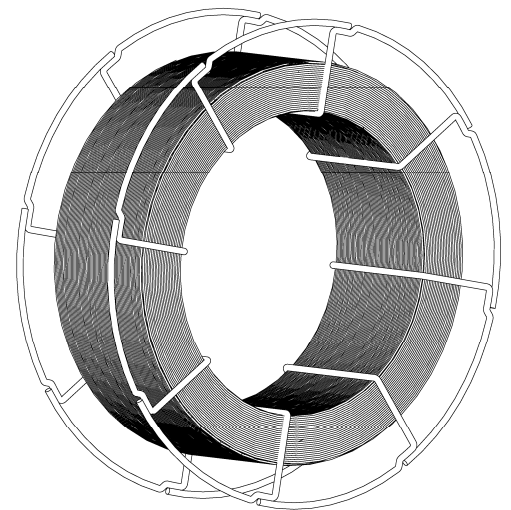
195050158	Cyberbond TT62 Pumpgel	1
506018	Loctite 480 Flacon 20 gr	1
506017	Loctite 638 Flacon 50 ml	1
506016	Loctite 270 Flacon 50 ml	1
<b>PARTNUMBER</b>	<b>PARTNAME</b>	<b>QT</b>



## MAG welding wire

- for hard facing cutting blades
- 48-52 HRc

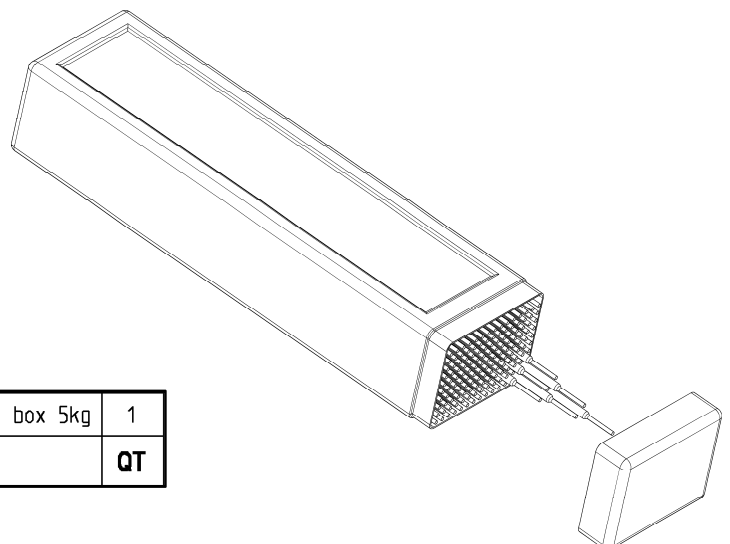
501237	Welding wire MAG; 1.8425, coil 15kg	1
<b>PARTNUMBER</b>	<b>PARTNAME</b>	<b>QT</b>



## Welding electrodes

- for hard facing cutting blades
- 48-52 HRc

501238	Weld. electr.:1.8425, Ø 2.5mm, box 5kg	1
<b>PARTNUMBER</b>	<b>PARTNAME</b>	<b>QT</b>





Static Pulverizer	Page	16	of	16
	Date	August 2014		
	Product type	DSP-45 Extreme		
Instructions	Number	n.a.		

## Mounting instructions for Cyberbound TT 62

This instruction shall guarantee that all hydraulic fittings and cartridges will be mounted and glued in correctly.

### Procedure:

Clean and degrease thoroughly all components with a special cleaner for anaerobic adhesives (e.g. Loctite cleaner 7063) or acetone.

Apply on the outside thread only a bead of Cyberbond TT62 pump gel to approx. 2/3 of the girth of the second thread for fittings up to a diameter of 20mm or to the entire girth for fittings with a diameter larger than 20mm.



Cyberbound  
TT 62



Clean from adhesive residues pressed out from the bore hole after fitting.

**ATTENTION. The sealings shall be free of adhesive residues!**

Tighten fittings with given fastening torques.

## Standard torque values for bolts (when not indicated)

Thread size	Torque (Nm) for quality		
	8.8	10.9	12.9
<b>M8</b>	22,5	32,4	38,7
<b>M10</b>	45,0	63,0	75,6
<b>M12</b>	77,4	109,0	131,0
<b>M16</b>	194,0	270,0	324,0
<b>M20</b>	369,0	522,0	630,0
<b>M24</b>	639,0	900,0	1080,0
<b>M27</b>	945,0	1305,0	1575,0
<b>M30</b>	1260,0	1800,0	2160,0



## DEMAREC AND KINSHOFER WORLDWIDE

---

### Netherlands:

#### **Demarec**

Demolition and Recycling Equipment BV

Den Hoek 10

5845 EL St. Anthonis

Netherlands

TEL. +31 (0) 485 442300

FAX +31 (0) 485 442120

Email:

info@demarec.com

### United Kingdom:

#### **Kinshofer UK Ltd.**

4 Milton Industrial Court,

Horsfield Way, Bredbury

Stockport, Cheshire, SK6 2TA

United Kingdom

TEL. +44 (0) 161 - 406 7046

FAX +44 (0) 161 - 406 7014

Email:

sales@kinshofer.co.uk

### France:

#### **Kinshofer France S.A.R.L.**

B.P. 20100

67213 Obernai Cedex

France

TEL. +33 (0) 388 39 55 00

FAX +33 (0) 388 79 06 75

Email:

info@kinshofer.fr

### Czech Republic:

#### **Kinshofer CZ s.r.o.**

Cs. Legji 568

37810 Ceske Velenice

Czech Republic

TEL. +420 384 – 795 110

FAX +420 384 – 795 120

### Headquarters:

### Germany:

#### **Kinshofer GmbH**

Hauptstrasse 76

83666 Waakirchen

Germany

TEL. +49 (0) 8021 – 88 99 0

FAX +49 (0) 8021 – 88 99 37

Email:

info@kinshofer.com

### North America:

#### **Kinshofer North America**

5040 Mainway Drive, Unit 11

Burlington, ON L7L 7G5

Canada

TEL. +1 (905) 335 2856

FAX +1 (905) 335 4529

Toll Free in Canada and USA:

TEL. 1-800-268-9525

Email:

sales-northamerica@kinshofer.com

### Finland:

#### **Kinshofer Aponox Oy**

Terminaalitie 10

13430 Hämeenlinna

Finland

TEL. +358 (0)75 7540 200

FAX +358 (0)75 7540 210

### Beijing:

#### **Darda Kinshofer**

#### **Construction Machinery Co. Ltd.**

Unit #306, Landmark Tower 2

8 Dongsanhuan Road

Beijing 100004

China

TEL. +86 (10) 6590 6422

FAX +86 (10) 6590 6423

Email:

info@darda.com.cn