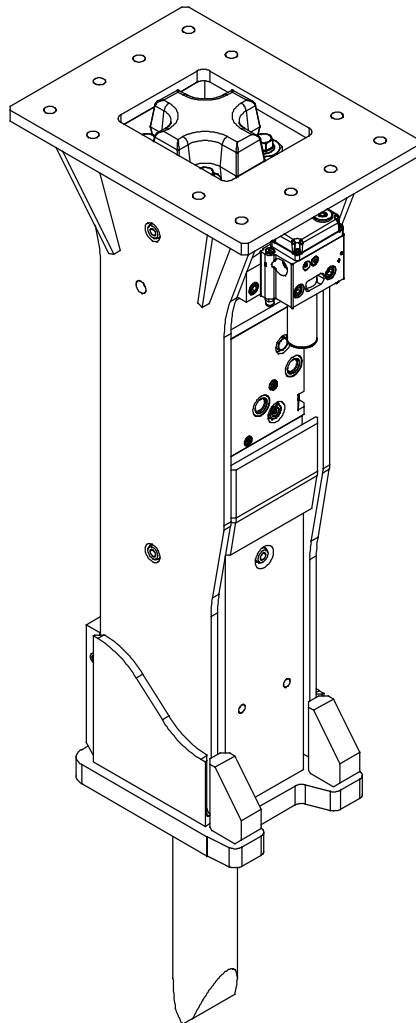


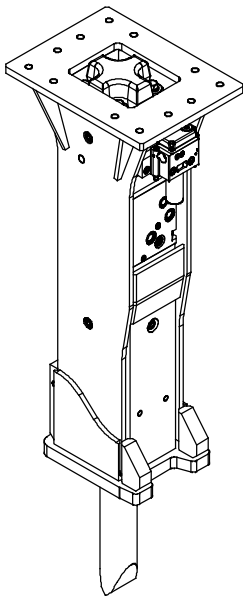
EN Spare parts manual



XL 1700

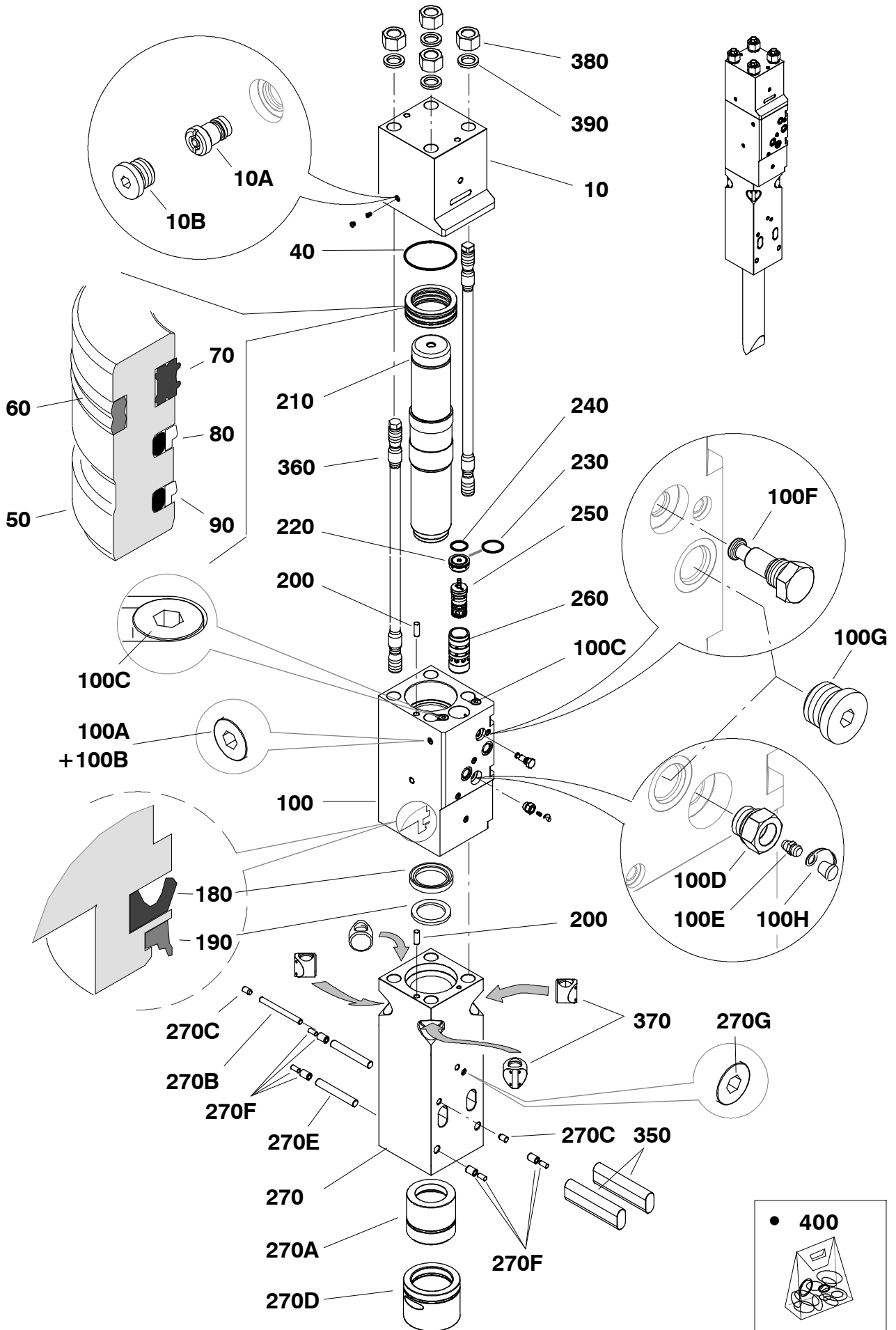


BREAKER



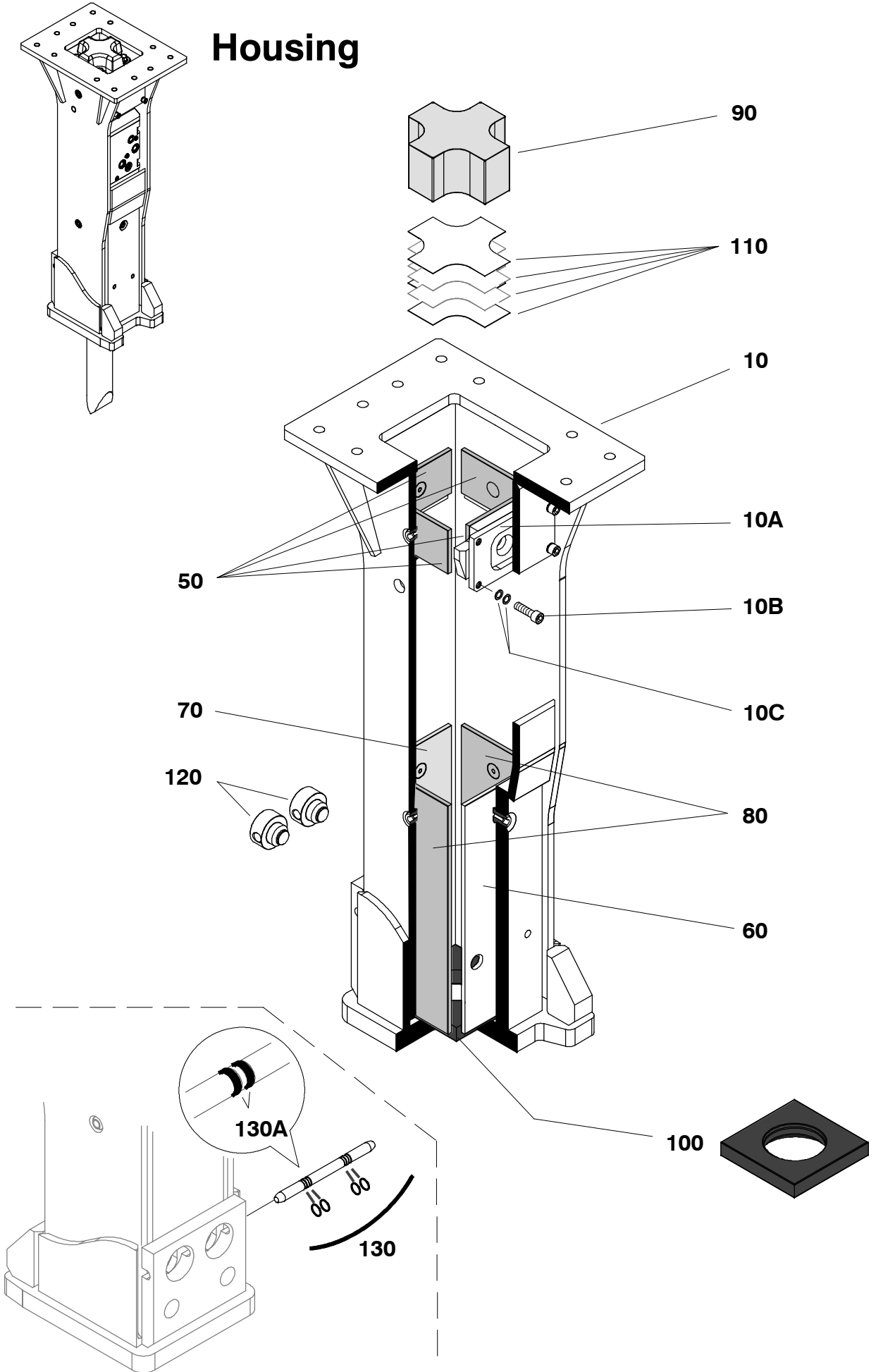
Housing

Power cell for Housing



Item	Qty	CPN	Description
10	1	86701869	Back head includ. :
10A	1	86600632	(Valve
10B	1	86693538	(Threaded plug
• 40	1	86694171	O'ring
50	1	86690294	Seals casing
• 60	1	86690963	Seal
• 70	1	86690971	Seal
• 80	1	86657582	Seal
• 90	1	86696408	Seal
100	1	86701877	Cylinder includ. :
100A	10	86678612	(Glued threaded plug 1/4
100B	10	86240389	(Seal ring
100C	2	86693488	(Glued threaded plug 3/4
100D	1	86691425	(Threaded plug
100E	1	86655354	(Oiler
100F	1	86693587	(Threaded plug
100G	2	86694734	(Threaded plug
100H	1	86466919	(Oiler protection
• 180	1	86690989	Lip seal
• 190	1	86690997	Scraper seal
200	2	86350014	Pin
210	1	86690302	Strike piston
220	1	86690641	Distribution cover
• 230	1	86694155	O'ring
• 240	1	86694163	O'ring
250	1	86690625	Distributor
260	1	86690633	Distribution box
270	1	86694684	Front guide includ. :
270A	1	86691052	(Upper chuck bushing
270B	1	86691086	(Pin
270C	2	86504198	(Plastic plug
270D	1	86694031	(Lower chuck bushing
270E	2	86691078	(Pin
270F	4	86706322	(Plastic plug
270G	1	86678612	(Glued threaded plug 1/4
350	2	86690310	Retainer pin
360	4	86690377	Tie rod
370	4	86603917	Nut
380	4	86690385	Nut
390	4	86708583	Washer
400	1	86693660	Seal kit

Housing



Item	Qty	CPN	Description
10	1	86701414	Housing including :
10A	1	86690773	(Spacer
10B	4	86608643	(M16, socket head screw
10C	4	86468402	(Washer
50	4	86690716	Plastic guiding slipper
60	1	86690724	Plastic guiding slipper
70	1	86690732	Plastic guiding slipper
80	2	86690740	Plastic guiding slipper
90	1	86690666	Upper dampener
100	1	86690658	Lower dampener
110	x	86703774	Shim–upper dampener – 3 mm
	x	86698743	Shim–upper dampener – 2 mm
	x	86698750	Shim–upper dampener – 4 mm
120	2	86690682	Plug
130	1	86690757	Stop pin including :
130A	4	86638467	(O’ring

10



20



30



40

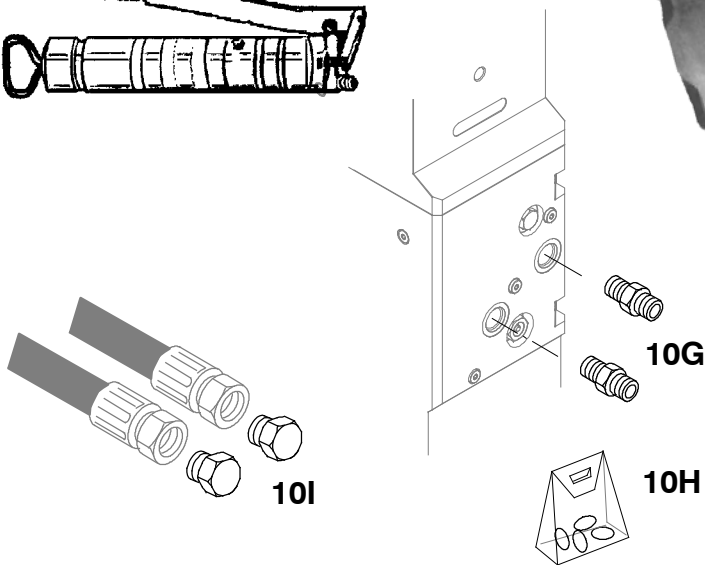
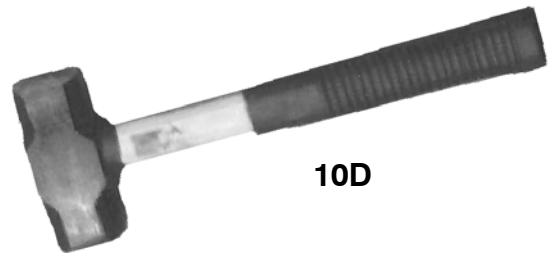
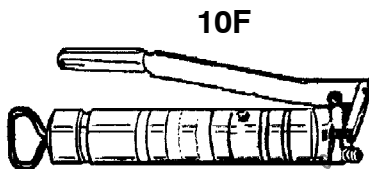
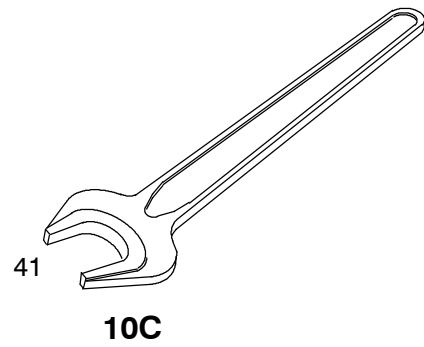
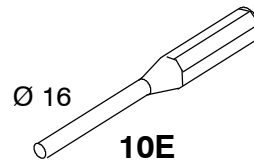
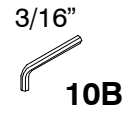
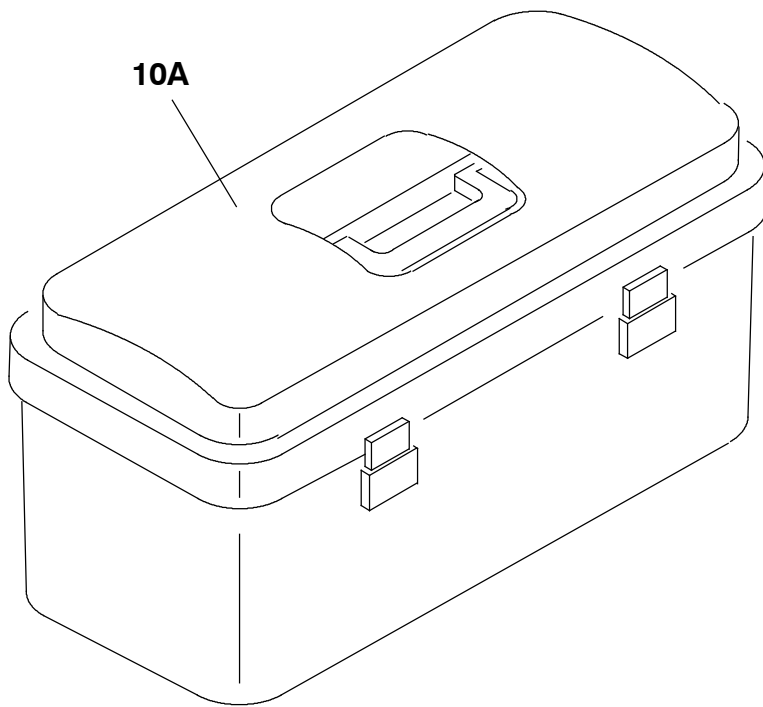


Item	Qty	CPN	Description
10	1	86691110	Moil point
20	1	86691466	Chisel
30	1	86693710	Blunt
40	1	86700986	Pyramidal point



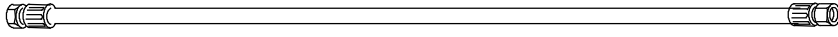
ACCESSORIES

86706165 : HAND TOOL BOX

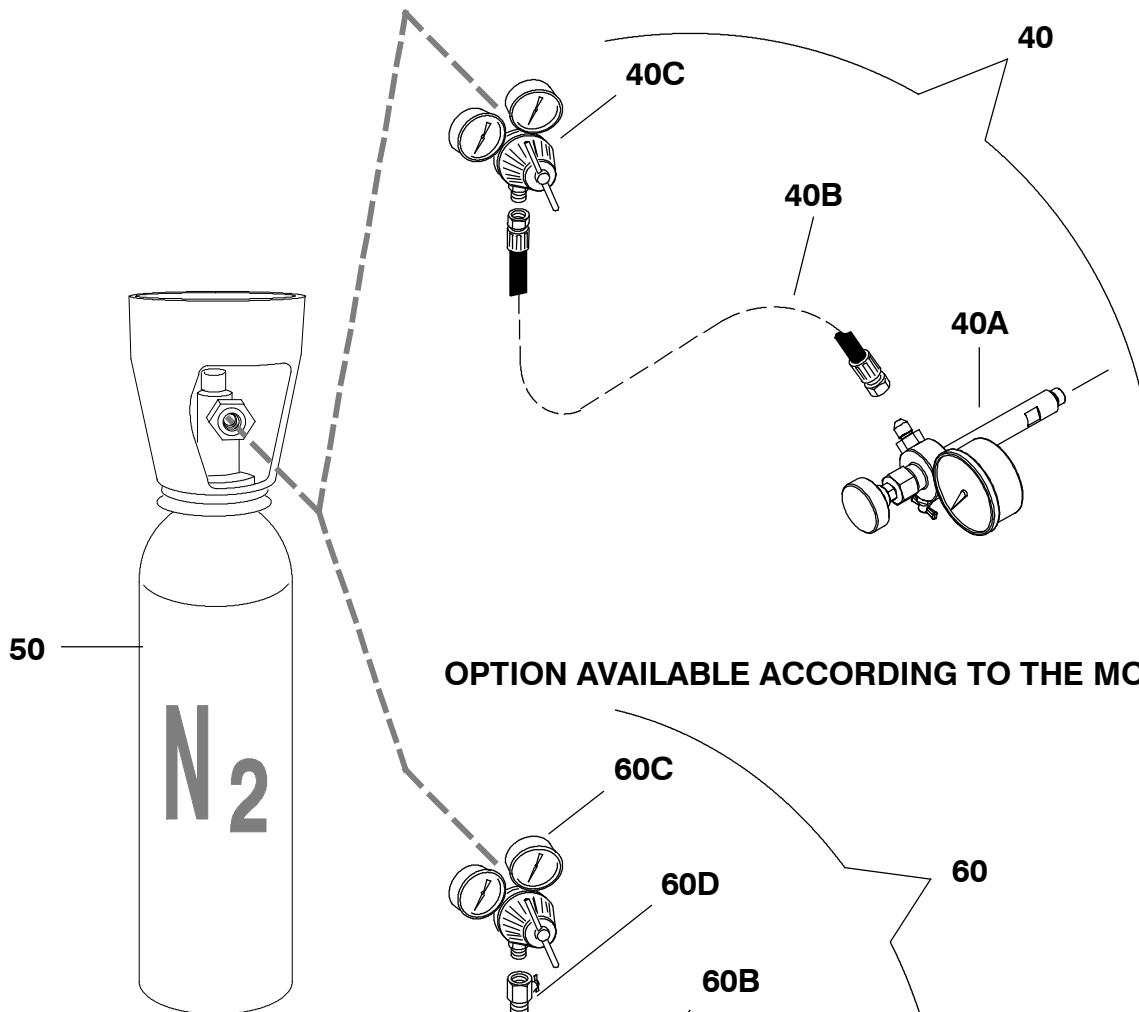


Item	Qty		Description
10	1	–	Hand tool box including :
10A	1	–	– Plastic tool box
10B	1	–	– Hexagonal key (3/16")
10C	1	–	– Open end wrench (41 mm)
10D	1	–	– Sledge hammer
10E	1	–	– Pin punch (Ø16)
10F	1	–	– Hand gun grease
10G	2	86692951	– Adaptor ORFS m1"7/16 / m1"JIS (on breaker)
10H	4	86222858	– O'ring – ORFS 1"7/16)
10I	2	86507381	– Plug ORFS m1"7/16 (for hoses)
10J	1	86697026	– Checking tool

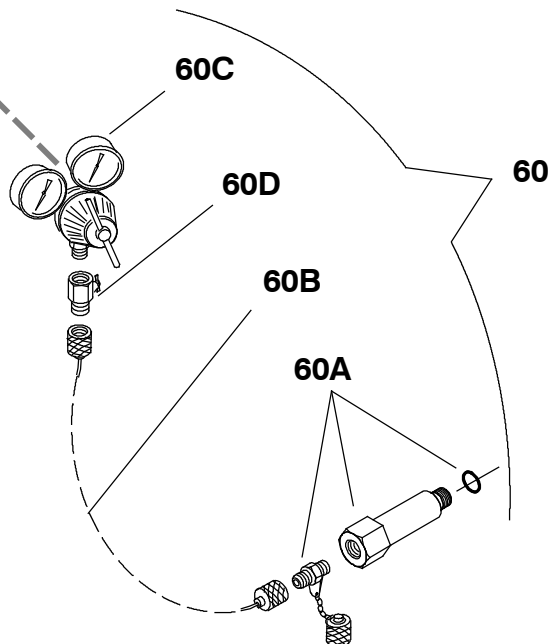
30



OPTION AVAILABLE ACCORDING TO THE MODEL



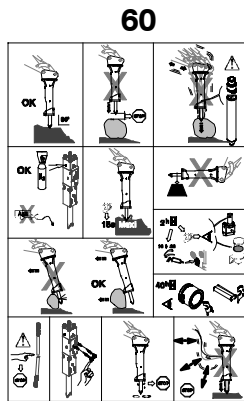
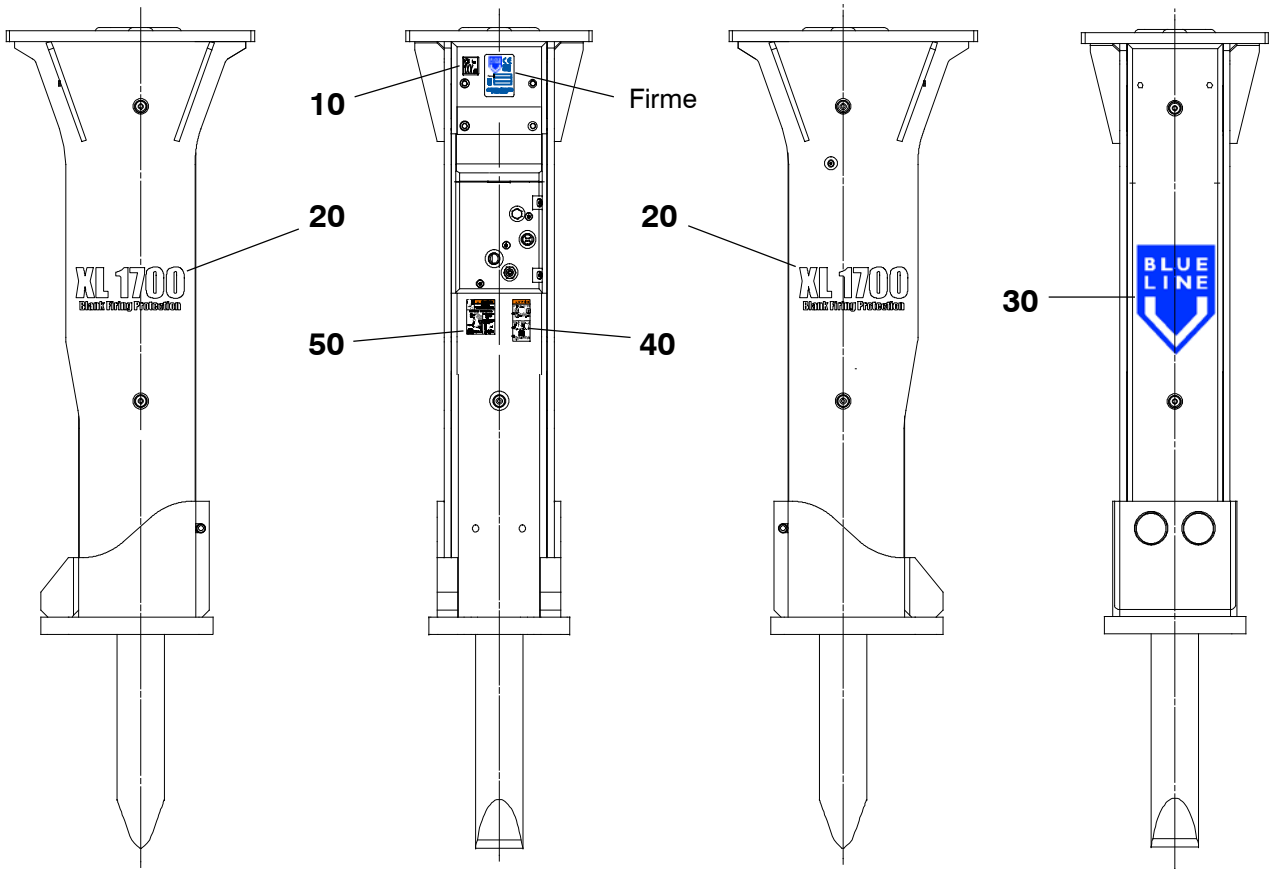
OPTION AVAILABLE ACCORDING TO THE MODEL



Item	Qty	CPN	Description
30	2	86693637	Hose : 2800mm
40	1	86696499	Inflating kit including :
40A	1	86626017	(Inflating tool
40B	1	86704640	(Hose : 2000mm
40C	1	86704624	(Pressure reducing; Nitrogen

or

Item	Qty	CPN	Description
60	1	86705464	Inflating kit including :
60A	1	86705332	(Inflating tool kit
60B	1	86705506	(Hose : 2000mm
60C	1	86704624	(Pressure reducing; Nitrogen
60D	1	-----	(Adaptor
50	1	86696481	Bottle; Nitrogen

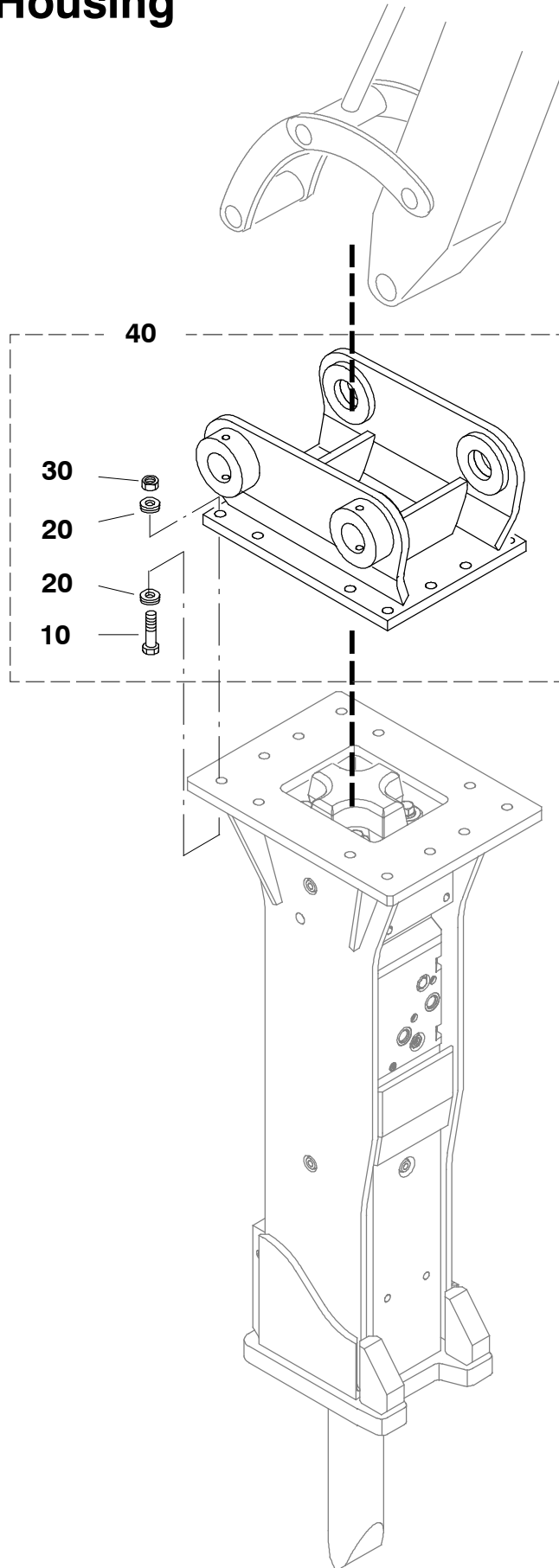


Item	Qty	CPN	Description
10	1	86602232	Adhesive label – Noise
20	2	86697935	Adhesive XL1700
30	1	86698586	Adhesive BLUE LINE
40	1	86648110	Maintenance sticker
50	1	86648730	Safety sticker
60	1	86702511	Sticker (on excavator)



FIT UP

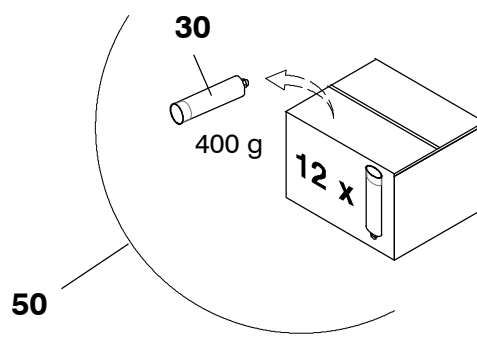
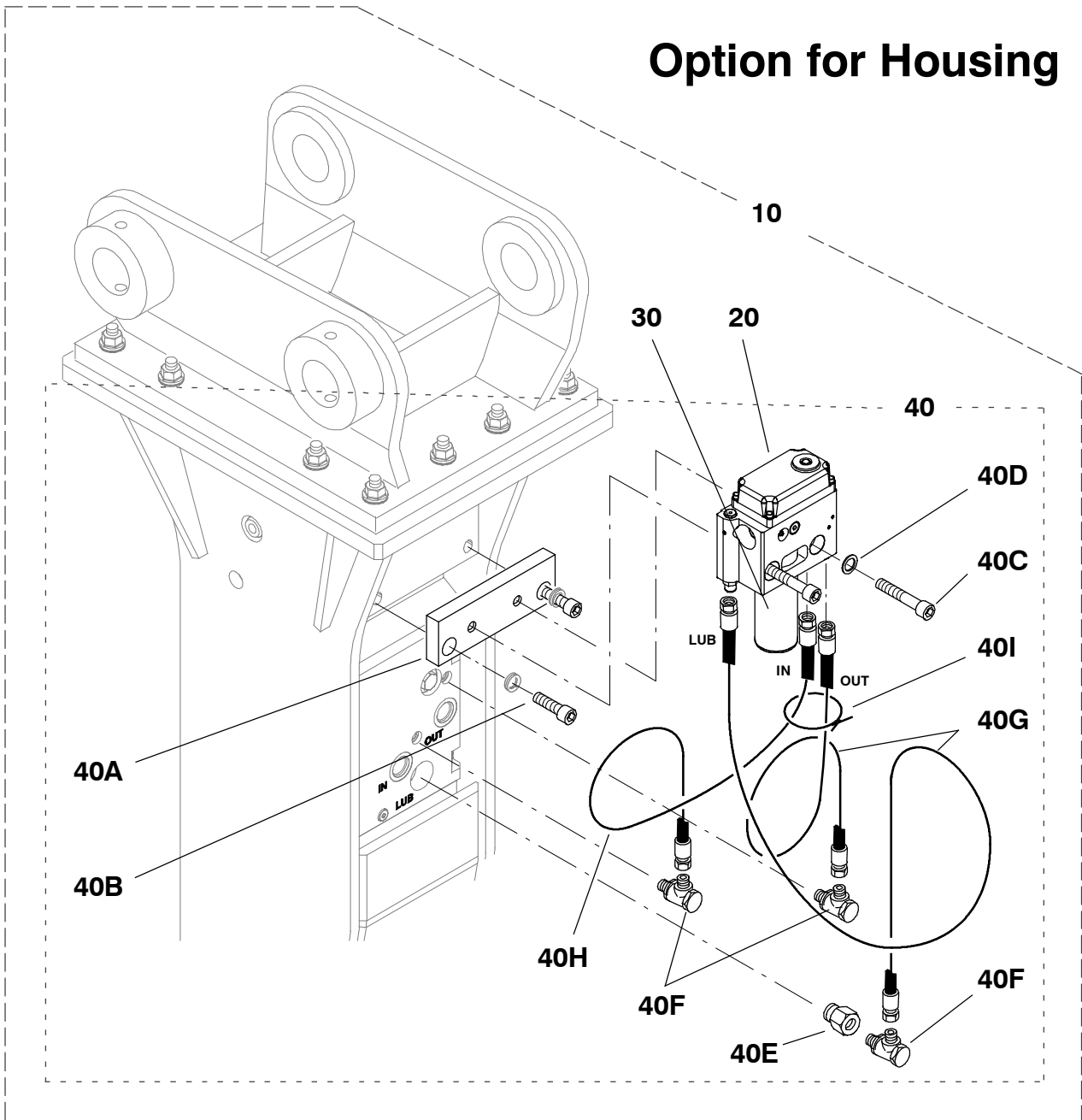
Housing





Item	Qty	CPN	Description
40	1	86698982	Fixing Cap + Bolting Kit
10	12	86704665	(Bolt
30	12	86510005	(Nut
20	24	86634086	(Washer

Option for Housing



Item	Qty	CPN	Description
10	1	86702537	Grease pump kit including :
20	1	86603313	– Lubricating pump
30	1	xxxxxxx	– Grease cartridge
40	1	86702545	– Adaptation including
40A	1	86701653	(Plate
40B	2	86486628	(M16, socket head screw
40C	2	86703287	(M16, socket head screw
40D	2	86384898	(Washer
40E	1	86702586	(Adapter
40F	3	86608528	(Adapter
40G	2	86614096	(Hose
40H	1	86608932	(Hose
40I	2	86260619	(Collar
50	1	86617222	Grease cartridge (12/ Box

BLUE LINE®

203 , route de Grenoble
BP 671
69805 Saint-Priest Cedex
France

www.blue-line.bz

