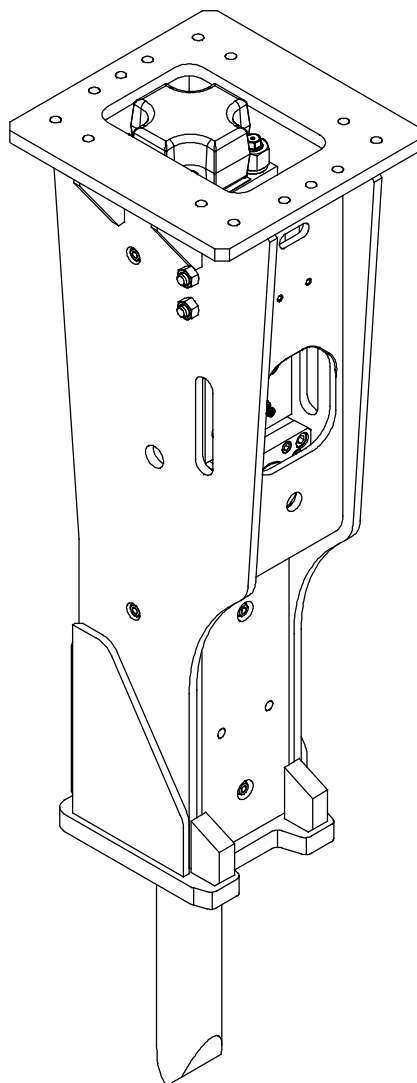


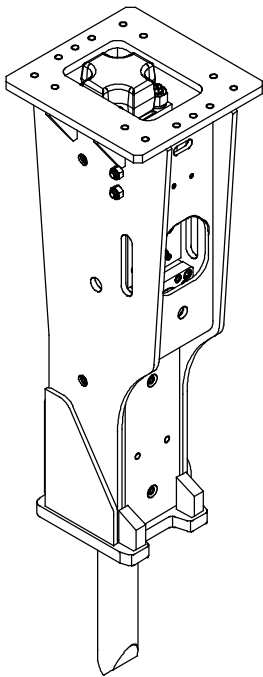
EN Spare parts manual



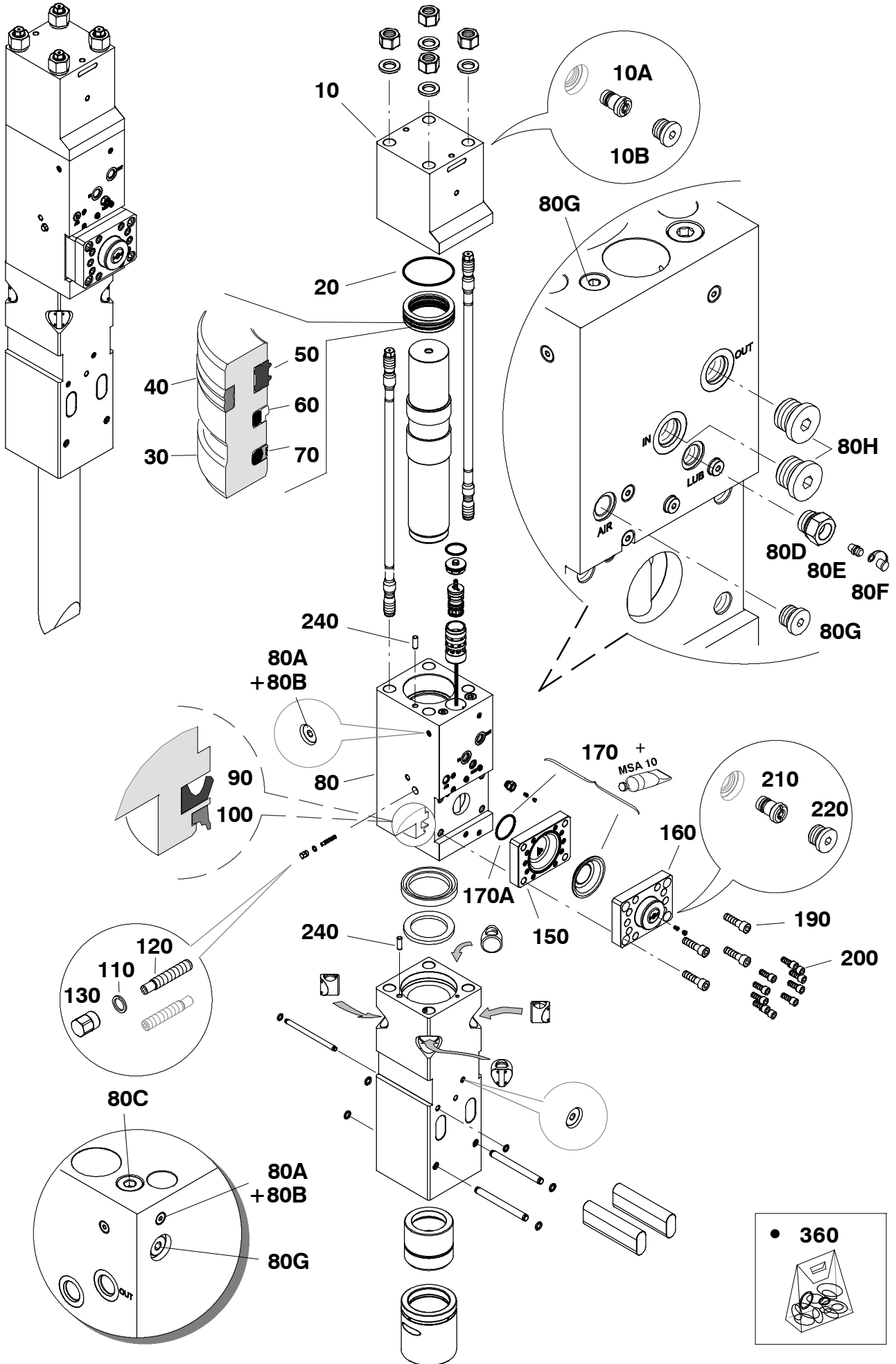
XL 2600



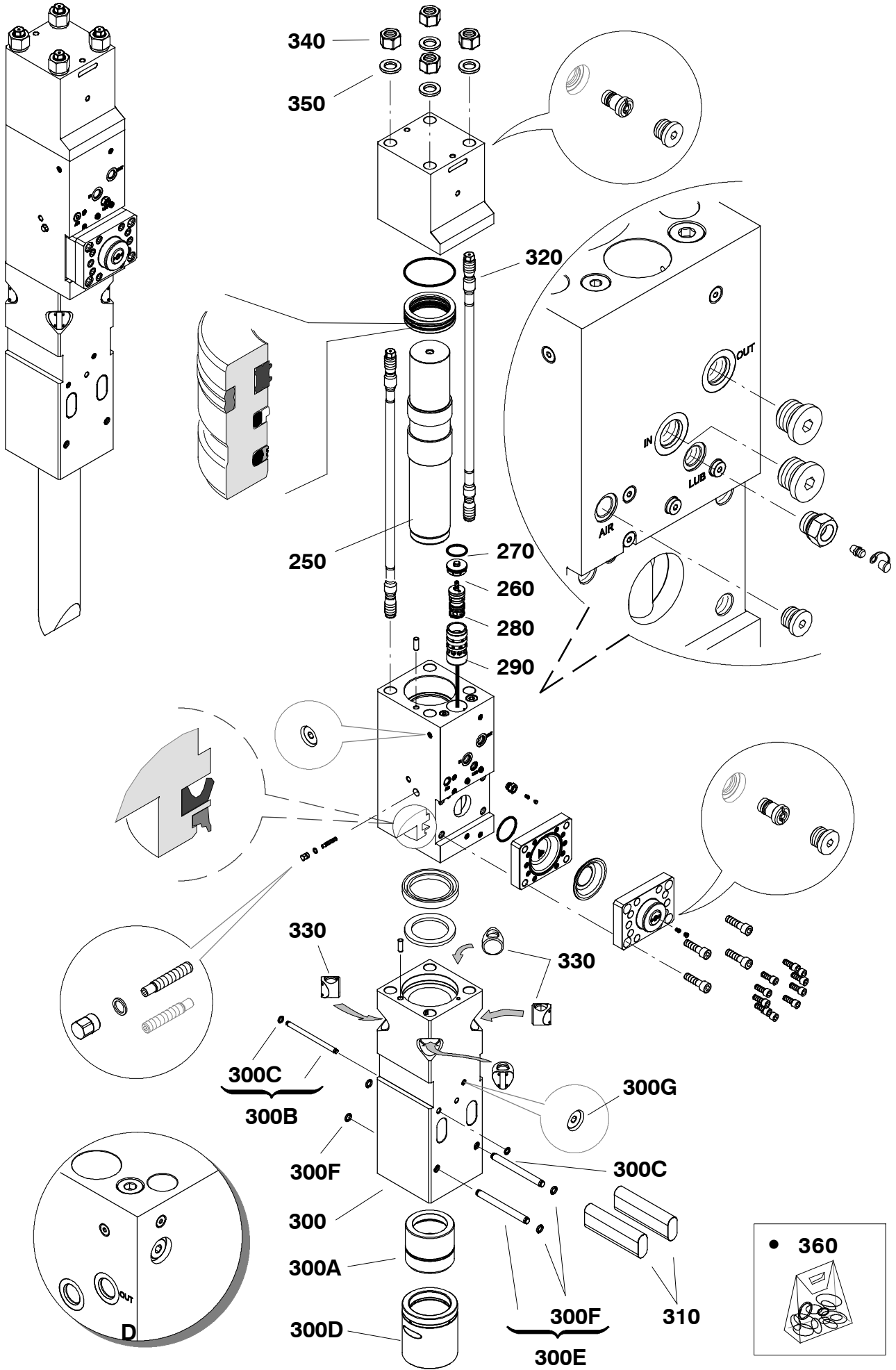
BREAKER



Housing

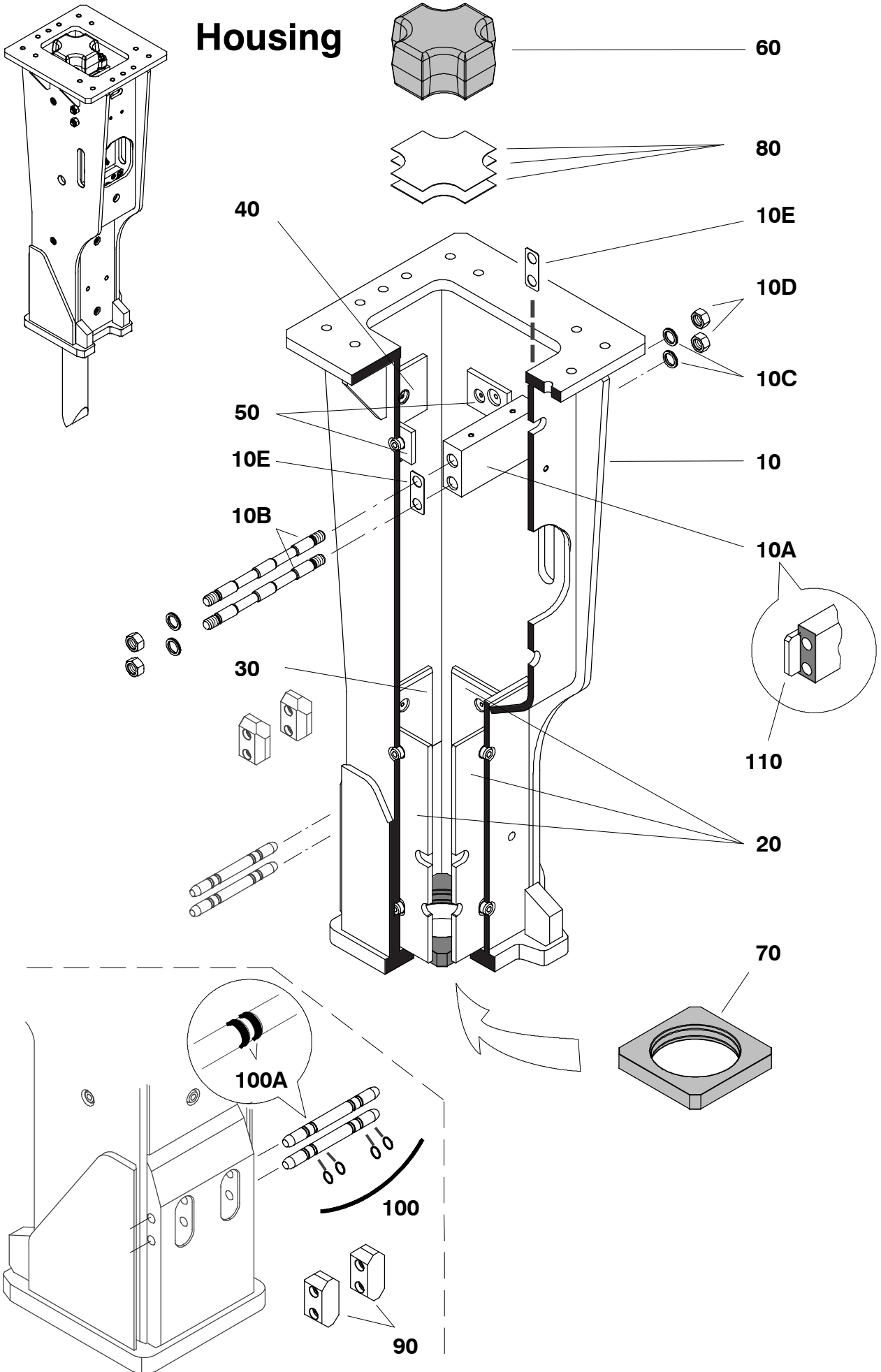


Item	Qty	CPN	Description
10	1	86717360	Back head includ. :
10A	1	86600632	(Valve
10B	1	86693538	(Threaded plug
• 20	1	86693207	O'ring
30	1	86696697	Seals casing
• 40	1	86697323	Seal
• 50	1	86697331	Seal
• 60	1	86697349	Seal
• 70	1	86698271	Seal
80	1	86717352	Cylinder includ. :
80A	10	86678612	(Glued threaded plug 1/4
80B	10	86240389	(Seal ring
80C	1	86703410	(Glued threaded plug 1"
80D	1	86691425	(Threaded plug
80E	1	86655354	(Oiler
80F	1	86466919	(Oiler protection
80G	3	86693488	(Threaded plug
80H	2	86694734	(Threaded plug
• 90	1	86697356	Lip seal
• 100	1	86697364	Scraper seal
• 110	1	86240389	Seal ring
120	1	86696952	Special screw
130	1	86696960	Nut
150	1	86703717	Lower flange
160	1	86703725	Upper flange
170	1	86709516	Diaphragm
170A	1	86705241	(O'ring
190	4	86699345	Screw, UNF 1"
200	10	86336724	Screw, UNF 3/4"
210	1	86600632	Valve
220	1	86693538	Threaded plug
240	2	86692977	Pin



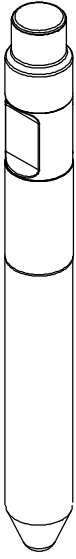
Item	Qty	CPN	Description
250	1	86696689	Strike piston
260	1	86703659	Distribution cover
• 270	1	86694056	O'ring
280	1	86703675	Distributor
290	1	86696747	Distribution box
300	1	86717378	Front guide includ. :
300A	1	86696762	(Upper chuck bushing
300B	1	86709375	(Pin including :
• 300C	2	86709383	– O'ring
300D	1	86696770	(Lower chuck bushing
300E	2	86703840	(Pin including :
• 300F	4	86703758	– O'ring
300G	1	86678612	(Glued threaded plug 1/4
310	2	86696853	Retainer pin
320	4	86700309	Tie rod
330	4	86603917	Nut
340	4	86690385	Nut
350	4	86708583	Washer
360	1	86715166	Seal kit

Housing



Item	Qty	CPN	Description
10	1	86708864	Housing including :
10A	1	86716859	(Support
10B	2	86714920	(Tie rod
10C	4	86634094	(Washer "pair"
10D	4	86715075	(Nut
10E	2	86716065	(Shim
20	3	86697455	Plastic guiding slipper
30	1	86697463	Plastic guiding slipper
40	1	86714938	Plastic guiding slipper
50	2	86709193	Plastic guiding slipper
60	1	86697505	Upper dampener
70	1	86708690	Lower dampener
80	x	86697513	Shim–upper dampener – 2 mm
	x	86703782	Shim–upper dampener – 3 mm
	x	86705720	Shim–upper dampener – 4 mm
90	2	86710498	Plug
100	2	86710746	Stop pin including :
100A	8	86638467	(O'ring
110	1	86714953	Plastic guiding slipper

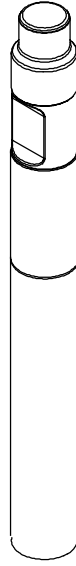
10



20



30



40



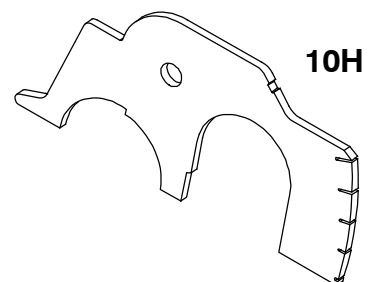
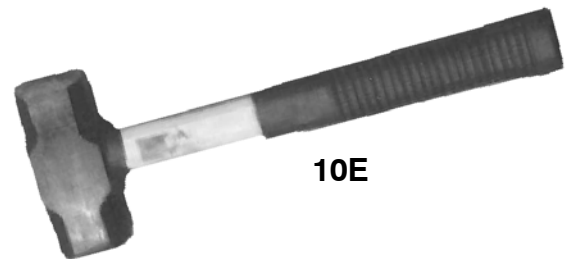
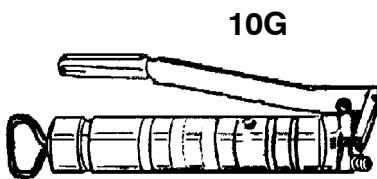
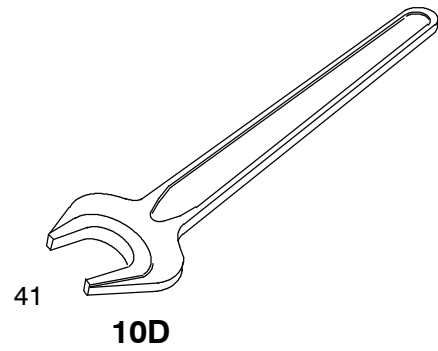
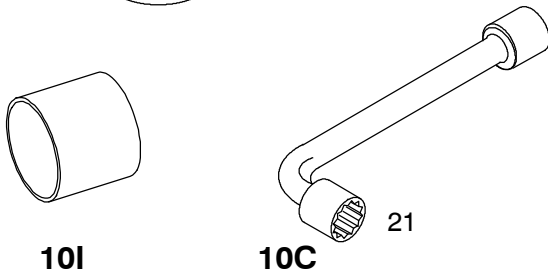
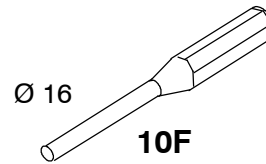
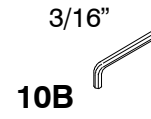
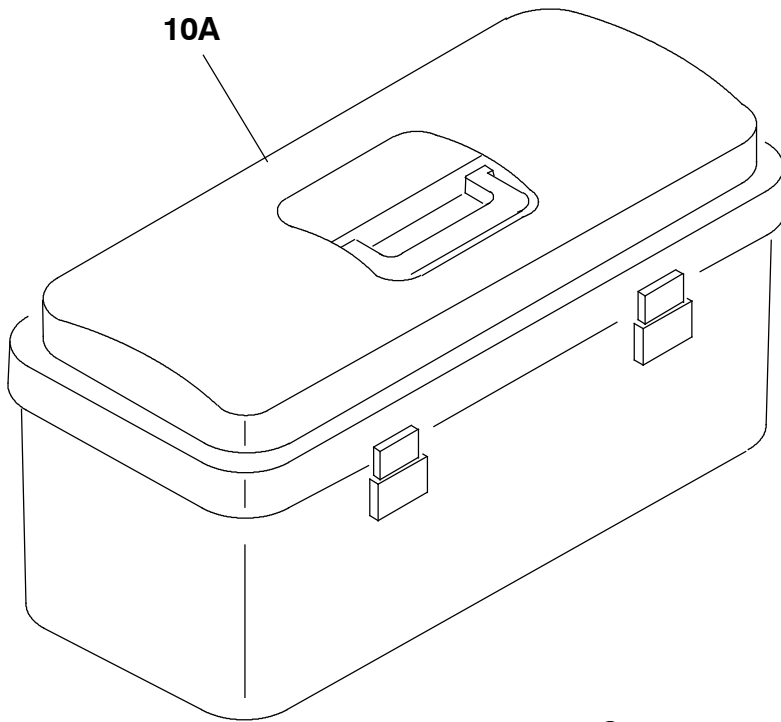
Item	Qty	CPN	Description
10	1	86697133	Moil point
20	1	86697125	Chisel
30	1	86708450	Blunt
40	1	86708468	Pyramidal point



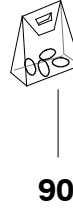
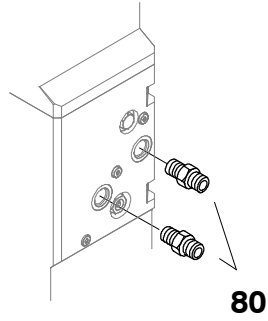
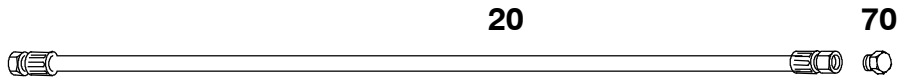
ACCESSORIES



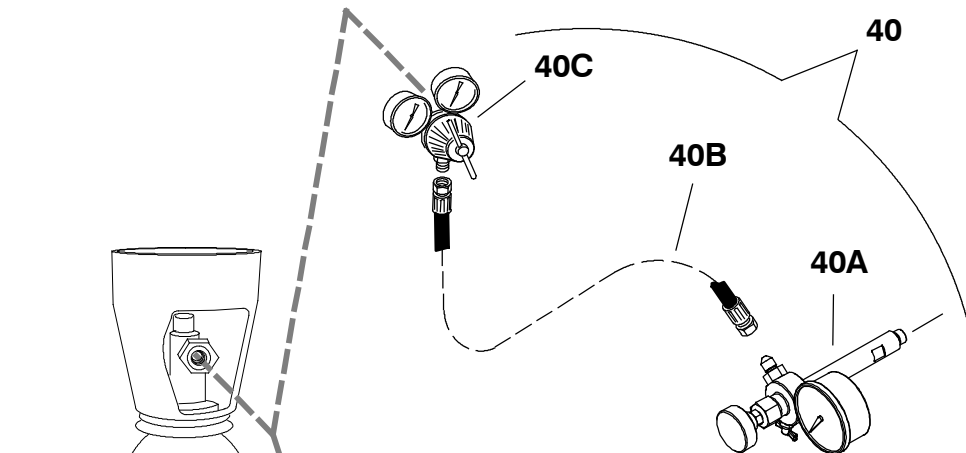
86707239 : HAND TOOL BOX



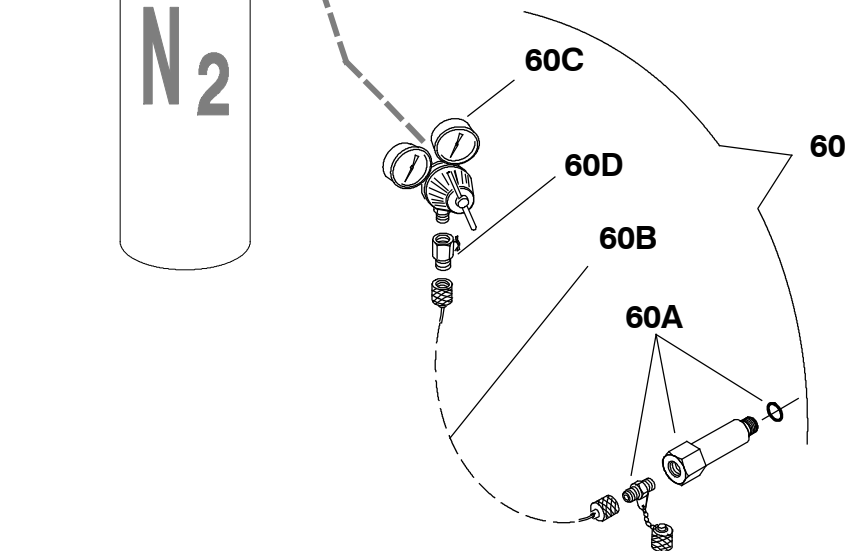
Item	Qty		Description
10	1	86707239	Hand tool box including :
10A	1	–	– Plastic tool box
10B	1	–	– Hexagonal key (3/16")
10C	1	–	– Pipe wrench (21 mm)
10D	1	–	– Open end wrench (41 mm)
10E	1	–	– Sledge hammer
10F	1	–	– Pin punch (Ø16)
10G	1	–	– Hand gun grease
10H	1	86698768	– Checking tool
10I	1	86709391	– Tube



OPTION AVAILABLE ACCORDING TO THE MODEL



OPTION AVAILABLE ACCORDING TO THE MODEL



Item	Qty	CPN	Description
20	2	86711231	Hose : 3100mm

70	2	86250644	Plug JIC m1"5/16 (for hoses
80	2	86692951	Adaptor ORFS m1"7/16 / m1"JIS (on breaker)
90	4	86222858	O'ring – ORFS 1"7/16

40	1	86696499	Inflating kit including:
40A	1	86626017	(Inflating tool kit
40B	1	86704640	(Hose : 2000mm
40C	1	86704624	(Pressure reducing; Nitrogen

or

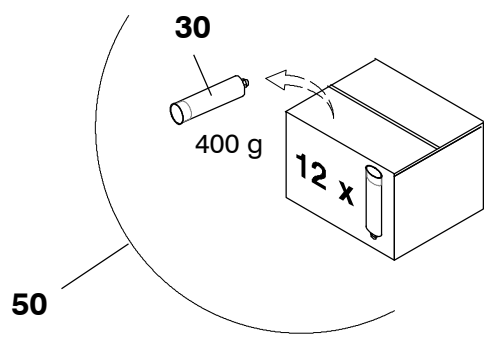
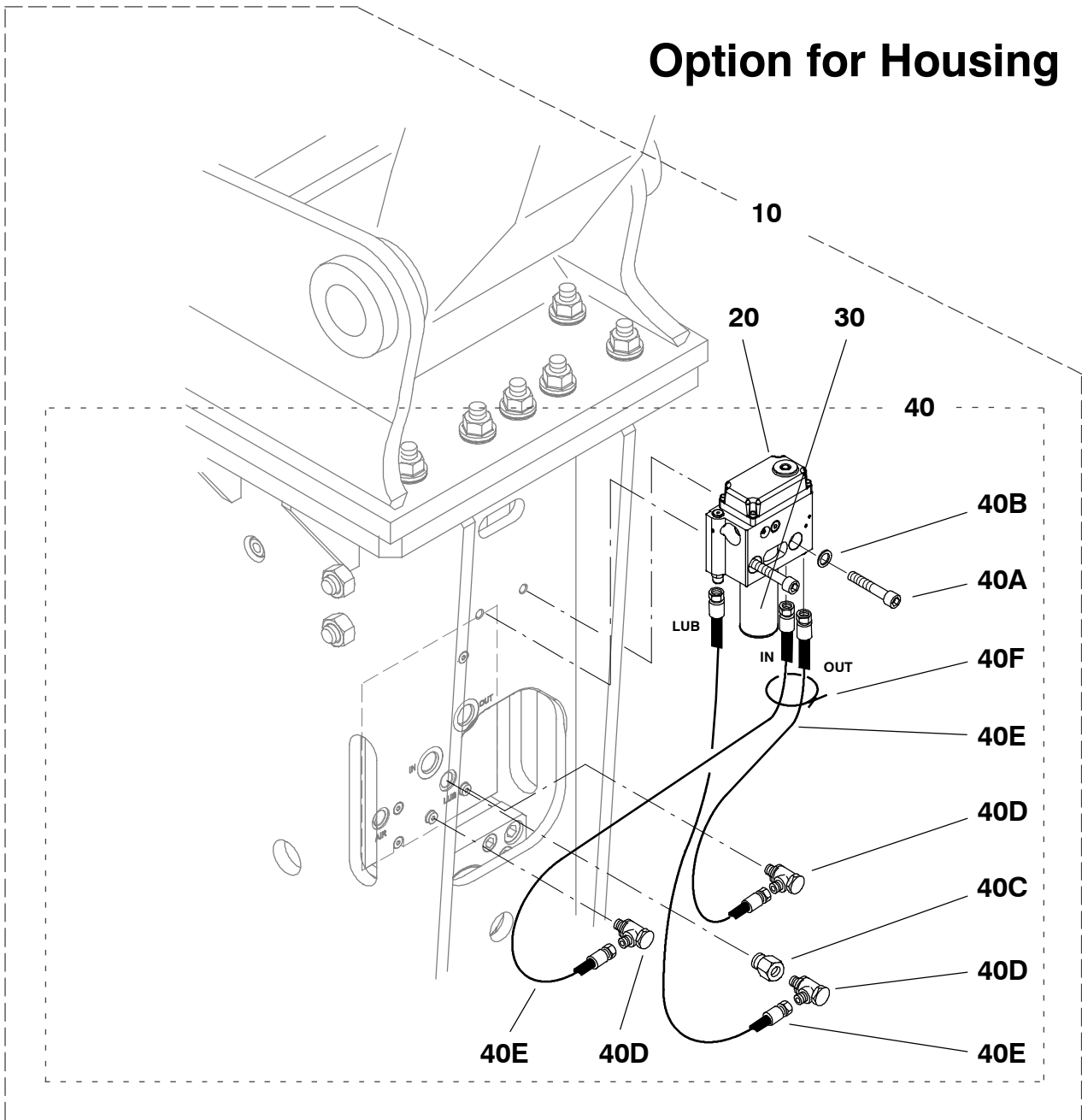
60	1	86705464	Inflating kit including:
60A	1	86705332	(Inflating tool kit
60B	1	86705506	(Hose : 2000mm
60C	1	86704624	(Pressure reducing; Nitrogen
60D	1	-----	(Adaptor

50	1	86696481	Bottle; Nitrogen
----	---	----------	------------------



FIT UP

Option for Housing



Item	Qty	CPN	Description
10	1	86708278	Grease pump kit including :
20	1	86603313	– Lubricating pump
30	1	xxxxxxx	– Grease cartridge
40	1	86708286	– Adaptation including
40A	2	86703287	(M16, socket head screw
40B	2	86384898	(Washer
40C	1	86702586	(Adapter
40D	3	86608528	(Adapter
40E	3	86608916	(Hose
40F	2	86260619	(Collar
50	1	86617222	Grease cartridge (12/ Box

BLUE LINE®

203 , route de Grenoble
BP 671
69805 Saint–Priest Cedex
France

www.blue-line.bz

