

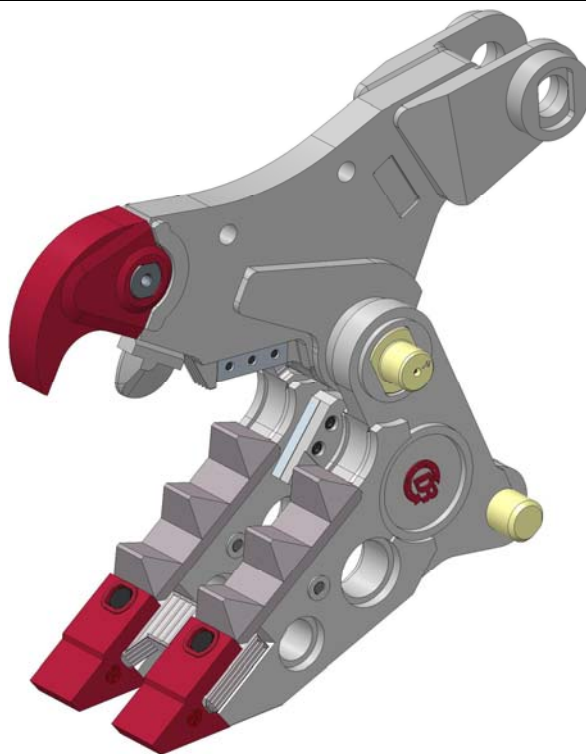


## Partsbook

for

### Multi Quick Processor Demolition jaw MQP-30-D

Product	Part Number
MQP-30-D Serie 1	MQP30D090AAA



Partsbook\_mqp30d090aaa-b.docx

April 2015

---

**Demarec** Demolition and Recycling Equipment BV

Den Hoek 10, 5845 EL St. Anthonis, Netherlands

TEL.  
FAX

+31 (0) 485 442300  
+31 (0) 485 442120

INTERNET  
E-MAIL

[www.demarec.com](http://www.demarec.com)  
[info@demarec.com](mailto:info@demarec.com)

# Multi Quick Processor

Page

1

of

4

Date

April 2015

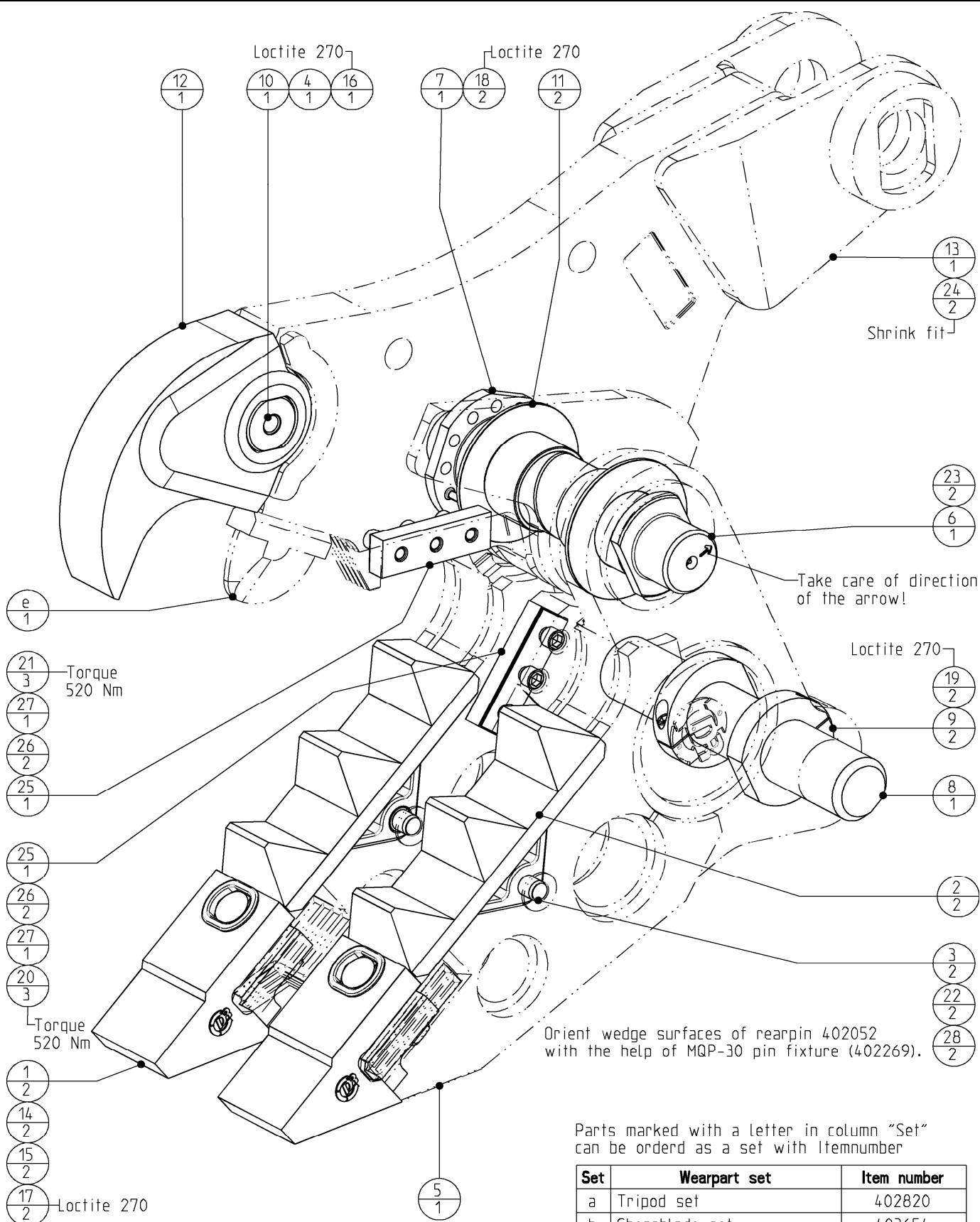
Product type

MQP-30-D

## Jaw GP

Number

MQP30D090AAA-B



Parts marked with a letter in column "Set" can be ordered as a set with Itemnumber

Set	Wearpart set	Item number
a	Tripod set	402820
b	Shearblade set	403654
c	Scrapertooth set	402818
d	Rippertooth set (excl. pin)	402842
e	Crusherblade (welded)	740058062

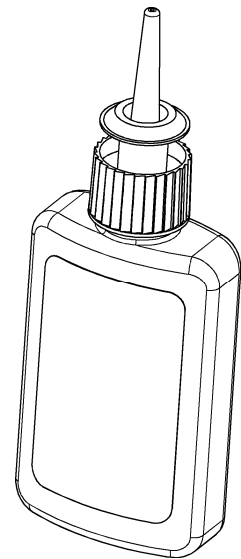
Multi Quick Processor	Page	2	of	4
	Date	April 2015		
	Product type	MQP-30-D		
Jaw GP	Number	MQP30D090AAA-B		

a	28	504053	O-ring	2
b	27	500952	Shim - straight	2
b	26	500951	Shim - straight	4
b	25	500950	Shearblade - straight	2
	24	500572	Bushing	2
	23	500560	Grease - nipple	2
a	22	500559	Tension bush - outside	2
b	21	500272	Hex. socket head cap screw	3
b	20	500270	Hex. socket head cap screw	3
	19	500262	Hex. socket head cap screw	2
	18	500247	Hex. socket head cap screw	2
c	17	500201	Bolts Hexagon	2
d	16	500144	Bolts Hexagon	1
c	15	500058	Washer HV	2
c	14	500009	Nut Hexagon	2
	13	403815	Jaw - upper asm.	1
d	12	402922	Rippertooth	1
	11	402481	Spacer	2
	10	402163	Lock - pin	1
	9	402053	Ring - clamp	2
	8	402052	Pin	1
	7	402051	Locknut M110x4	1
	6	402050	Pin	1
	5	402022	Jaw - lower asm. machined	1
d	4	401965	Lock - cover	1
a	3	401311	Lock - pin	2
a	2	401194	Tripod	2
c	1	401193	Scrapertooth	2
<b>Set</b>	<b>POS</b>	<b>PARTNUMBER</b>	<b>PARTNAME</b>	<b>QT</b>

Multi Quick Processor	Page	3	of	4
	Date	April 2015		
	Product type	MQP-30-D		
Additional parts	Number	n.a.		

## Chemical lock

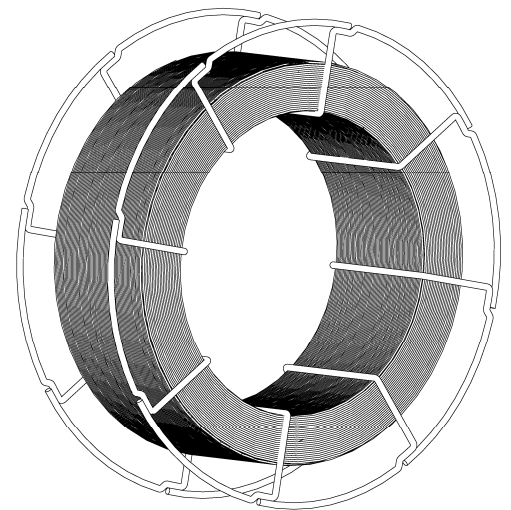
195050158	Cyberbond TT62 Pumpgel	1
506018	Loctite 480 Flacon 20 gr	1
506017	Loctite 638 Flacon 50 ml	1
506016	Loctite 270 Flacon 50 ml	1
<b>PARTNUMBER</b>	<b>PARTNAME</b>	<b>QT</b>



## MAG welding wire

- for hard facing cutting blades
- 48-52 HRc

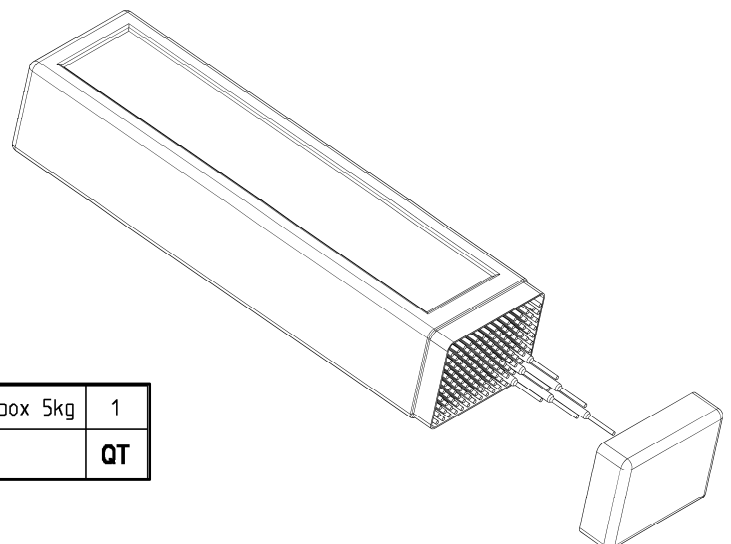
501237	Welding wire MAG; 1.8425, coil 15kg	1
<b>PARTNUMBER</b>	<b>PARTNAME</b>	<b>QT</b>



## Welding electrodes

- for hard facing cutting blades
- 48-52 HRc

501238	Weld. electr.:1.8425, Ø 2.5mm, box 5kg	1
<b>PARTNUMBER</b>	<b>PARTNAME</b>	<b>QT</b>



Multi Quick Processor	Page	4	of	4
	Date	April 2015		
	Product type	MQP-30-D		
Instructions	Number	n.a.		

## Mounting instructions for Cyberbound TT 62

This instruction shall guarantee that all hydraulic fittings and cartridges will be mounted and glued in correctly.

### Procedure:

Clean and degrease thoroughly all components with a special cleaner for anaerobic adhesives (e.g. Loctite cleaner 7063) or acetone.

Apply on the outside thread only a bead of Cyberbond TT62 pump gel to approx. 2/3 of the girth of the second thread for fittings up to a diameter of 20mm or to the entire girth for fittings with a diameter larger than 20mm.



Cyberbound  
TT 62



Clean from adhesive residues pressed out from the bore hole after fitting.

**ATTENTION. The sealings shall be free of adhesive residues!**

Tighten fittings with given fastening torques.

## Standard torque values for bolts (when not indicated)

Thread size	Torque (Nm) for quality		
	8.8	10.9	12.9
<b>M8</b>	22,5	32,4	38,7
<b>M10</b>	45,0	63,0	75,6
<b>M12</b>	77,4	109,0	131,0
<b>M16</b>	194,0	270,0	324,0
<b>M20</b>	369,0	522,0	630,0
<b>M24</b>	639,0	900,0	1080,0
<b>M27</b>	945,0	1305,0	1575,0
<b>M30</b>	1260,0	1800,0	2160,0



## DEMAREC AND KINSHOFER WORLDWIDE

---

### Netherlands:

#### **Demarec**

Demolition and Recycling Equipment BV

Den Hoek 10

5845 EL St. Anthonis

Netherlands

TEL. +31 (0) 485 442300

FAX +31 (0) 485 442120

Email:

info@demarec.com

### United Kingdom:

#### **Kinshofer UK Ltd.**

4 Milton Industrial Court,

Horsfield Way, Bredbury

Stockport, Cheshire, SK6 2TA

United Kingdom

TEL. +44 (0) 161 - 406 7046

FAX +44 (0) 161 - 406 7014

Email:

sales@kinshofer.co.uk

### France:

#### **Kinshofer France S.A.R.L.**

B.P. 20100

67213 Obernai Cedex

France

TEL. +33 (0) 388 39 55 00

FAX +33 (0) 388 79 06 75

Email:

info@kinshofer.fr

### Czech Republic:

#### **Kinshofer CZ s.r.o.**

Cs. Legji 568

37810 Ceske Velenice

Czech Republic

TEL. +420 384 – 795 110

FAX +420 384 – 795 120

### Headquarters:

#### Germany:

**Kinshofer GmbH**

Hauptstrasse 76

83666 Waakirchen

Germany

TEL. +49 (0) 8021 – 88 99 0

FAX +49 (0) 8021 – 88 99 37

Email:

info@kinshofer.com

#### North America:

#### **Kinshofer North America**

5040 Mainway Drive, Unit 11

Burlington, ON L7L 7G5

Canada

TEL. +1 (905) 335 2856

FAX +1 (905) 335 4529

Toll Free in Canada and USA:

TEL. 1-800-268-9525

Email:

sales-northamerica@kinshofer.com

#### Finland:

#### **Kinshofer Aponox Oy**

Terminaalitie 10

13430 Hämeenlinna

Finland

TEL. +358 (0)75 7540 200

FAX +358 (0)75 7540 210

#### Beijing:

#### **Darda Kinshofer**

#### **Construction Machinery Co. Ltd.**

Unit #306, Landmark Tower 2

8 Dongsanhuan Road

Beijing 100004

China

TEL. +86 (10) 6590 6422

FAX +86 (10) 6590 6423

Email:

info@darda.com.cn