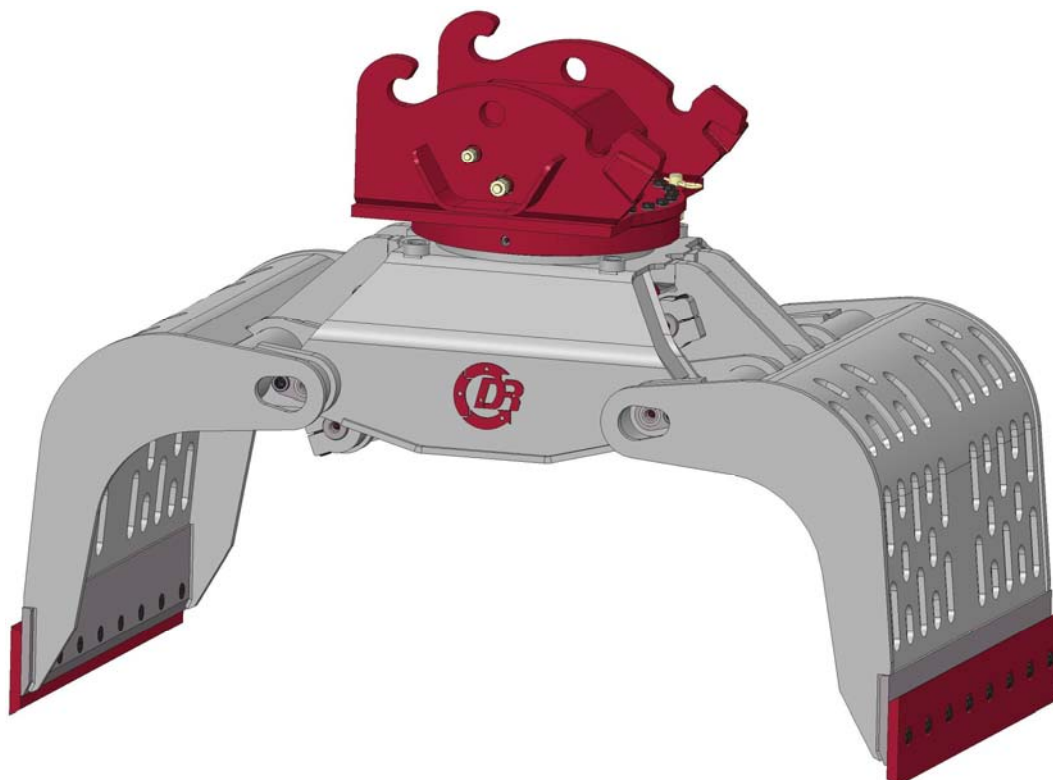




**Partsbook**  
for  
**Sorting Grab**  
**DRG-27-DN**

Product	Part Number	Ref.
DRG-27-DN Serie 2	405625-03	



Partsbook\_405625-03.docx

July 2015

**Demarec** Demolition and Recycling Equipment BV

Den Hoek 10, 5845 EL St. Anthonis, Netherlands

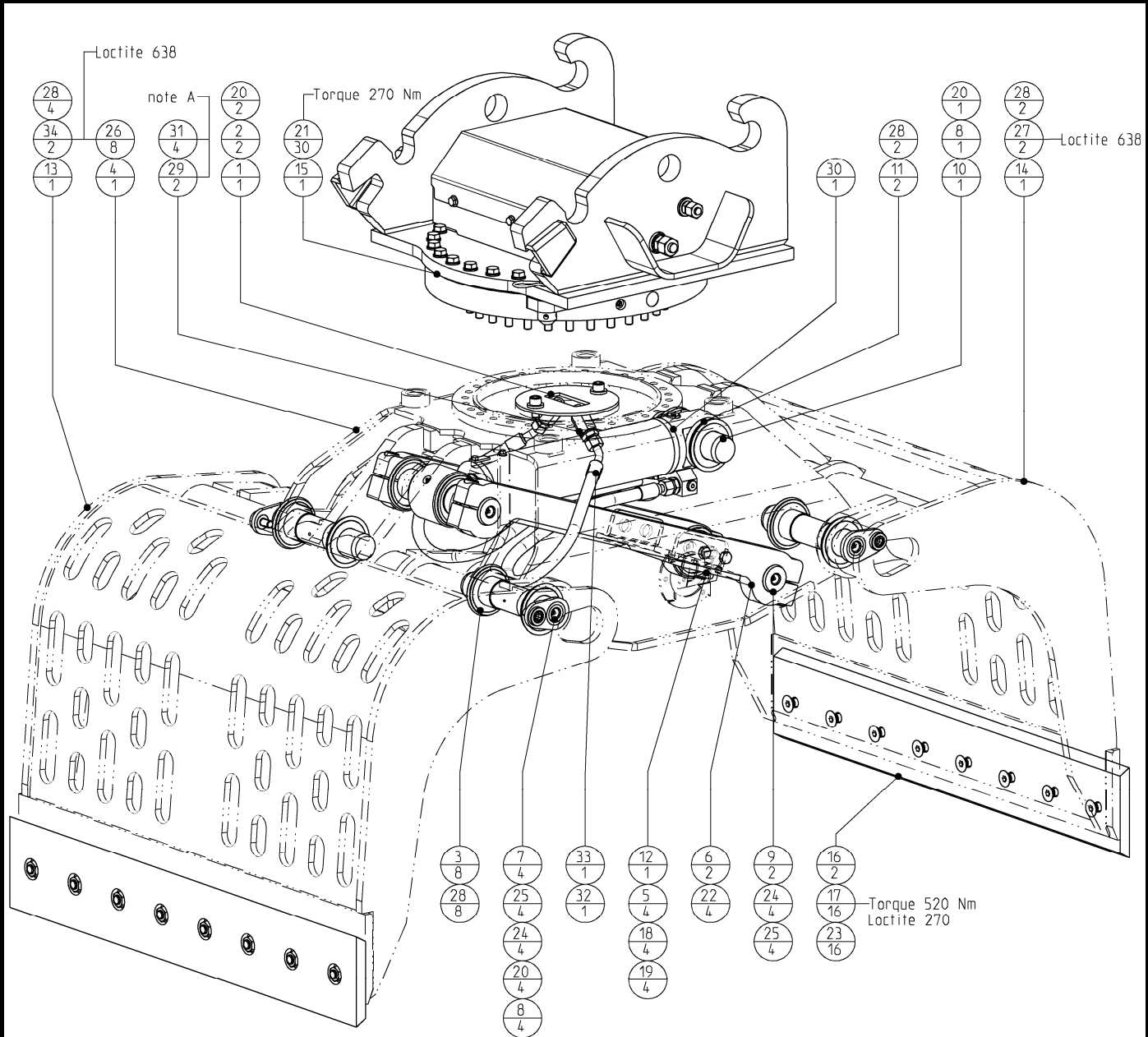
TEL.  
FAX

+31 (0) 485 442300  
+31 (0) 485 442120

INTERNET  
E-MAIL

[www.demarec.com](http://www.demarec.com)  
[info@demarec.com](mailto:info@demarec.com)

<h1>Sorting Grab</h1>	Page	1	of	16
	Date	July 2015		
	Product type	DRG-27-DN		
<h1>Grapple GP</h1>	Number	405625-03		



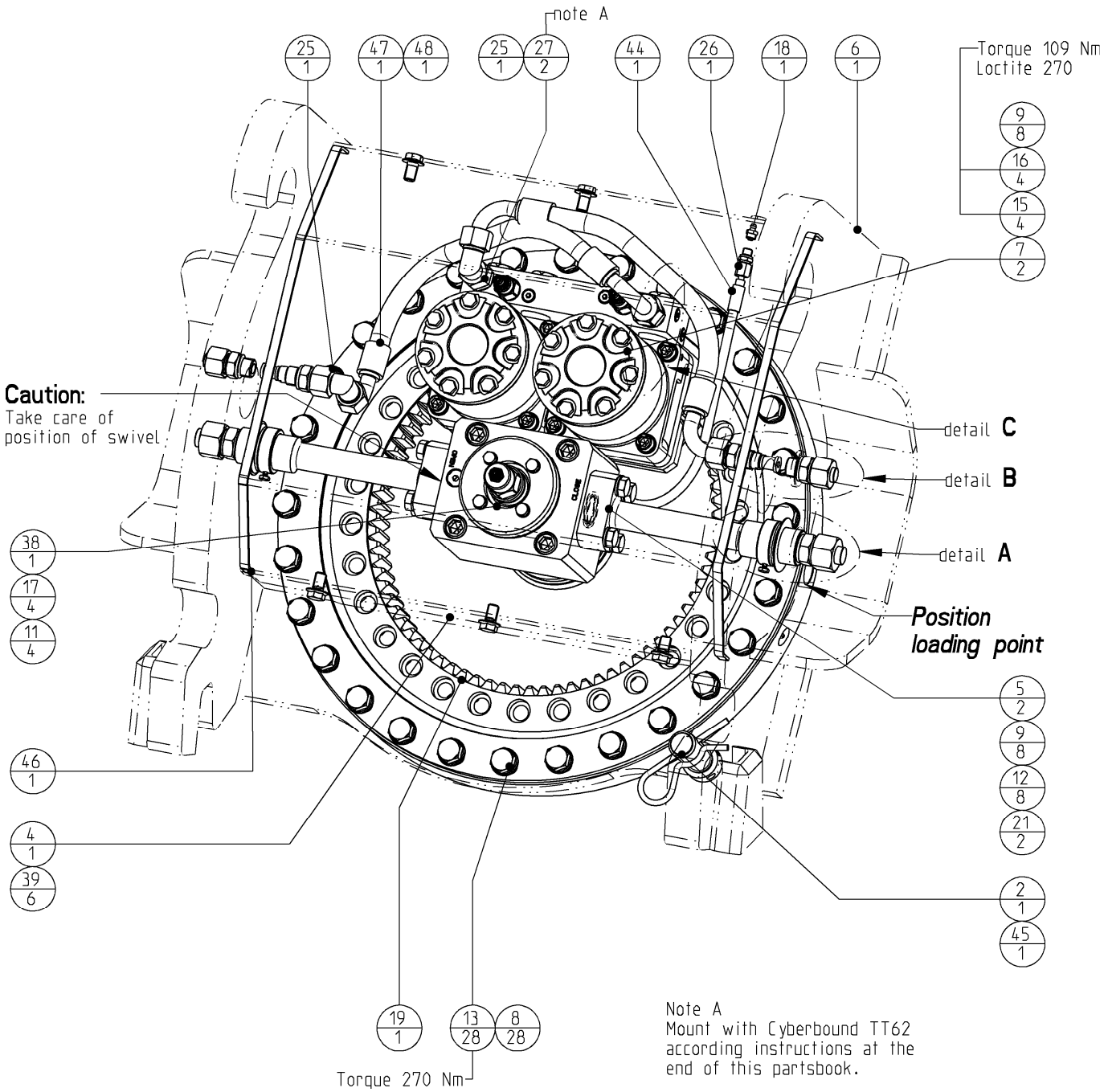
Note A  
Mount with Cyberbound TT62 according instructions at the end of this partsbook.

Parts marked with a letter in column "Set" can be ordered as a set with itemnumber

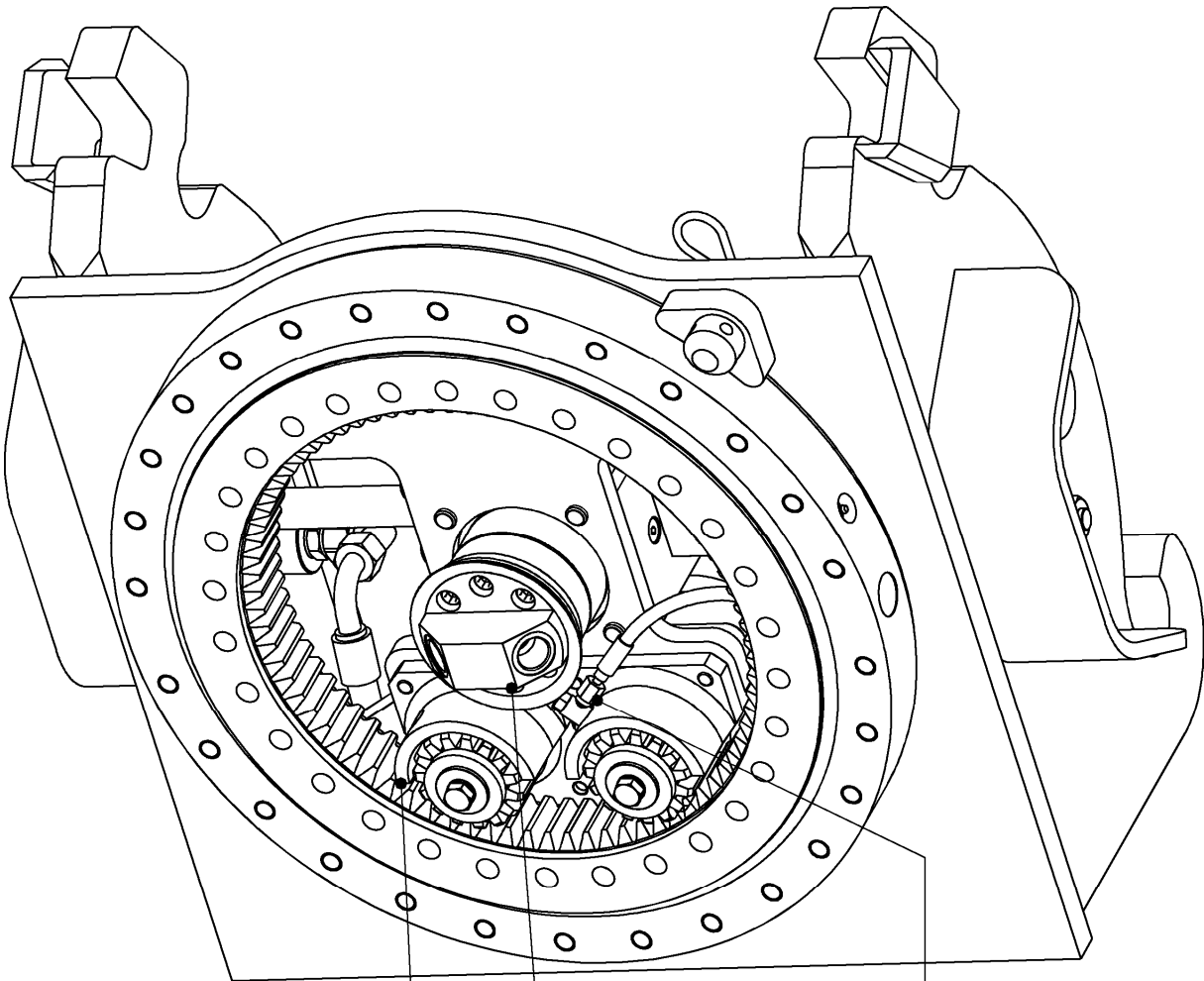
Set	Wearpartset	Itemnumber
a	Cuttingedges set	404962



<h1>Sorting Grab</h1>	Page	3	of	16
	Date	July 2015		
	Product type	DRG-27-DN		
<h2>Rotatorhead GP</h2>	Number	405605-01		

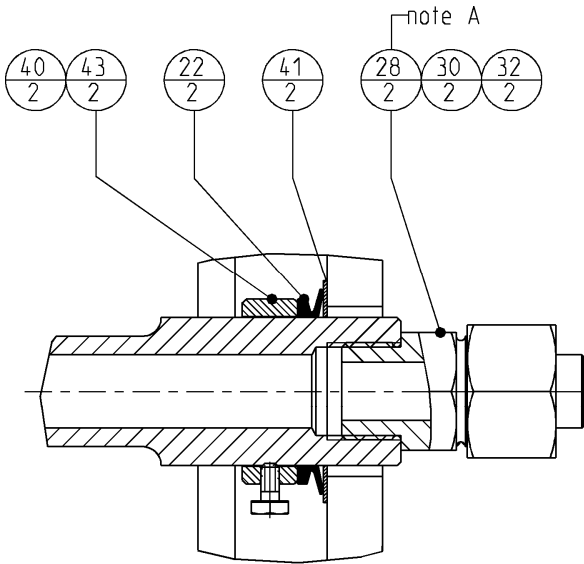


<h1>Sorting Grab</h1>	<i>Page</i>	4	<i>of</i>	16
	<i>Date</i>	July 2015		
	<i>Product type</i>	DRG-27-DN		
<h2>Rotatorhead GP</h2>	<i>Number</i>	405605-01		

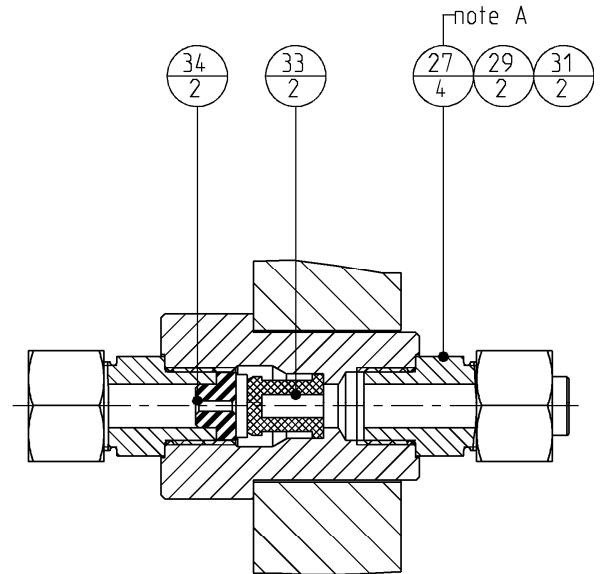


- |   |
|---|
| 1 |
| 2 |
- |   |
|---|
| 3 |
| 1 |
- |    |
|----|
| 10 |
| 6  |
- |    |
|----|
| 14 |
| 6  |
- |    |
|----|
| 20 |
| 2  |
- |    |
|----|
| 23 |
| 1  |
- |    |
|----|
| 24 |
| 1  |

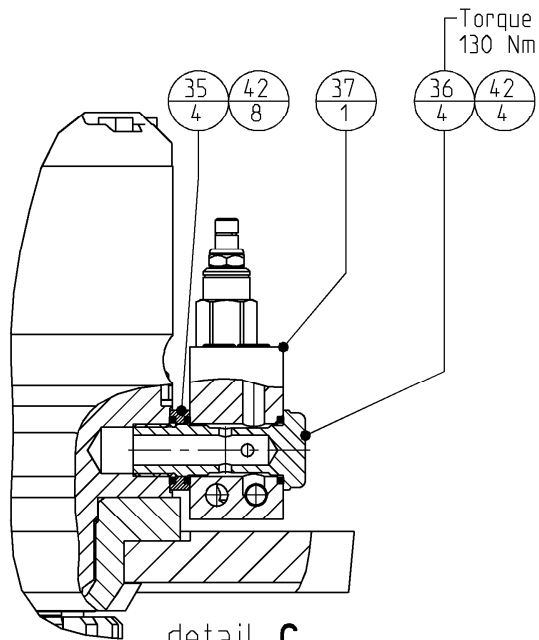
<h1>Sorting Grab</h1>	Page	5	of	16
	Date	July 2015		
	Product type	DRG-27-DN		
<h2>Rotatorhead GP</h2>	Number	405605-01		



detail **A**



detail **B**



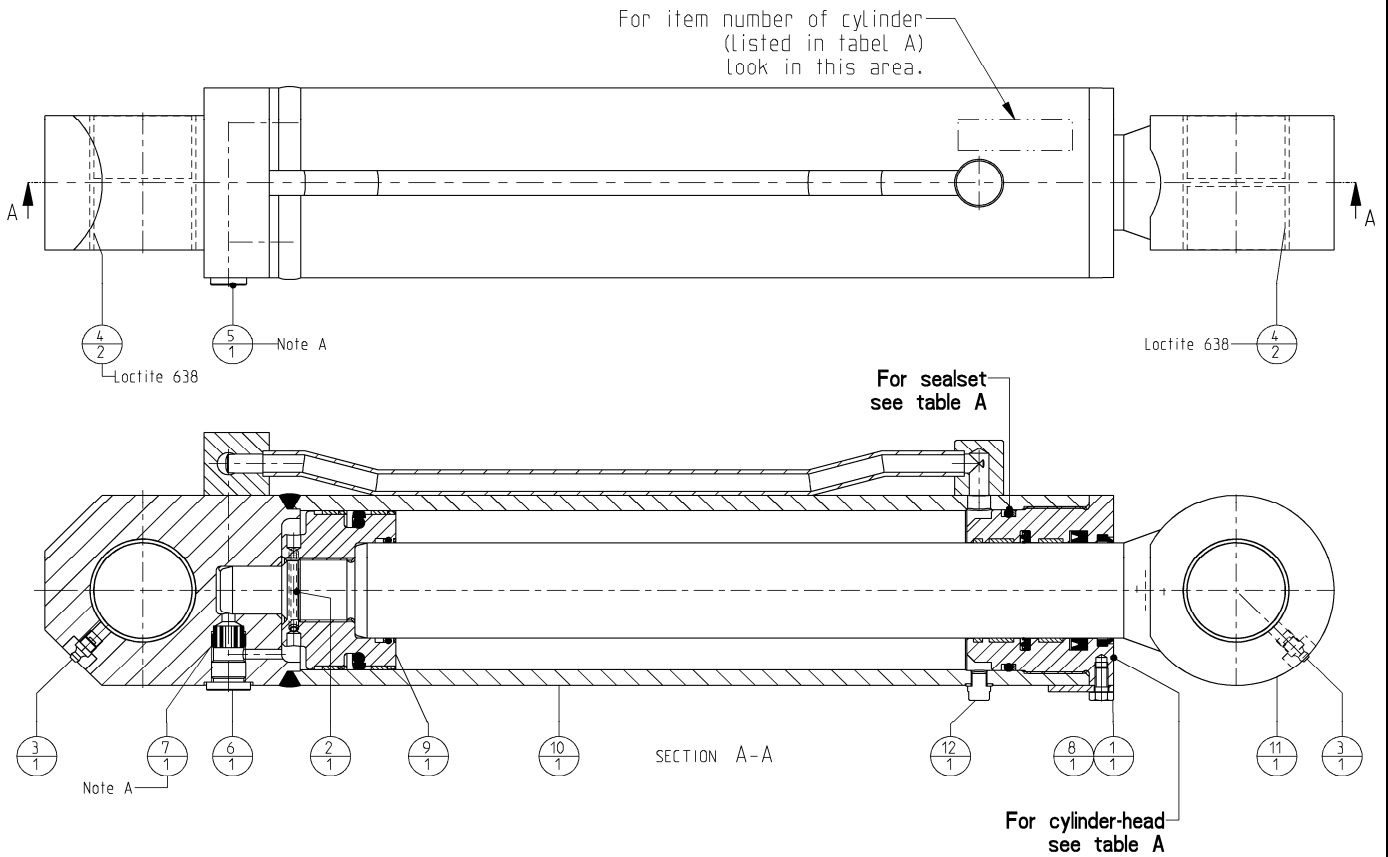
detail **C**

Sorting Grab	<i>Page</i>	6	<i>of</i>	16
	<i>Date</i>	July 2015		
	<i>Product type</i>	DRG-27-DN		
Rotatorhead GP	<i>Number</i>	405605-01		

--	--	--	--	--	--	--	--	--	--

POS	PARTNUMBER	REV	PARTNAME	QT
25	500673	01	Adjustable male stud elbow	2
24	500660	01	Banjo Coupling	1
23	500623	00	Seal	1
22	500620	00	Seal	2
21	500601	02	Seal - flange	2
20	500600	02	Seal - flange	2
19	500590	03	Stewing Ring, Internal Gear	1
18	500560	00	Grease - nipple	1
17	500268	00	Hex. socket head cap screw	4
16	500255	00	Hex. socket head cap screw	4
15	500253	00	Hex. socket head cap screw	4
14	500239	00	Hex. socket head cap screw	6
13	500150	00	Bolts Hexagon	28
12	500135	00	Bolts Hexagon	8
11	500078	00	Washer spring	4
10	500076	00	Washer spring	6
9	500068	00	Washer spring	16
8	500054	00	Washer HV	28
7	406190	00	Motor GP	2
6	405606	01	Rotatorhead asm. machined	1
5	404706	00	Flange - pipe	2
4	404705	01	Cover	1
3	401227	00	Swivel - flange	1
2	400217	03	Lock-pin	1
1	400063	02	Cap - Pinion	2
48	505155_RM405605_VG02	00	Hydr. hose asm. 1/2" SAE 100 R2AT	1
47	505155_RM405605_VG01	00	Hydr. hose asm. 1/2" SAE 100 R2AT	1
46	500631_RM404695	00	Seal	1
45	500504-2	00	Locking pin (hair-pin)	1
44	296012429_RM405605	00	Hydr. hose asm. 3/16" SAE 100R1AT	1
43	773058356	A	Ring - adjusting	2
42	257066194	A	Kantseal	12
41	170058298	A	Ring - shim	2
40	120014016	00	Bolts Hexagon	2
39	120013834	00	Bolts Hexagon - self locking	6
38	502955	08	Swivel GP	1
37	502910	03	Valve GP	1
36	502907	02	Banjo bolt	4
35	502903	02	Spacer	4
34	502001	03	Drossel - ring	2
33	502000	00	Filter	2
32	500946	00	Blanking plug	2
31	500945	00	Blanking plug	2
30	500941	00	Nut coupling	2
29	500940	00	Nut coupling	2
28	500694	01	Male stud coupling	2
27	500693	01	Male stud coupling	6
26	500690	00	Male stud coupling	1

<h1>Sorting Grab</h1>	Page	7	of	16
	Date	July 2015		
	Product type	DRG-27-DN		
<h1>Cylinder GP</h1>	Number	502445-01		



sealset and cylinderhead			
Item no. (on cylinder)	Sealset (service only)	Cylinder-head	Remark
502445 - 00 and up	504092	502441	
500870 - 00 and up	504092	500777	502441 replaces 500777

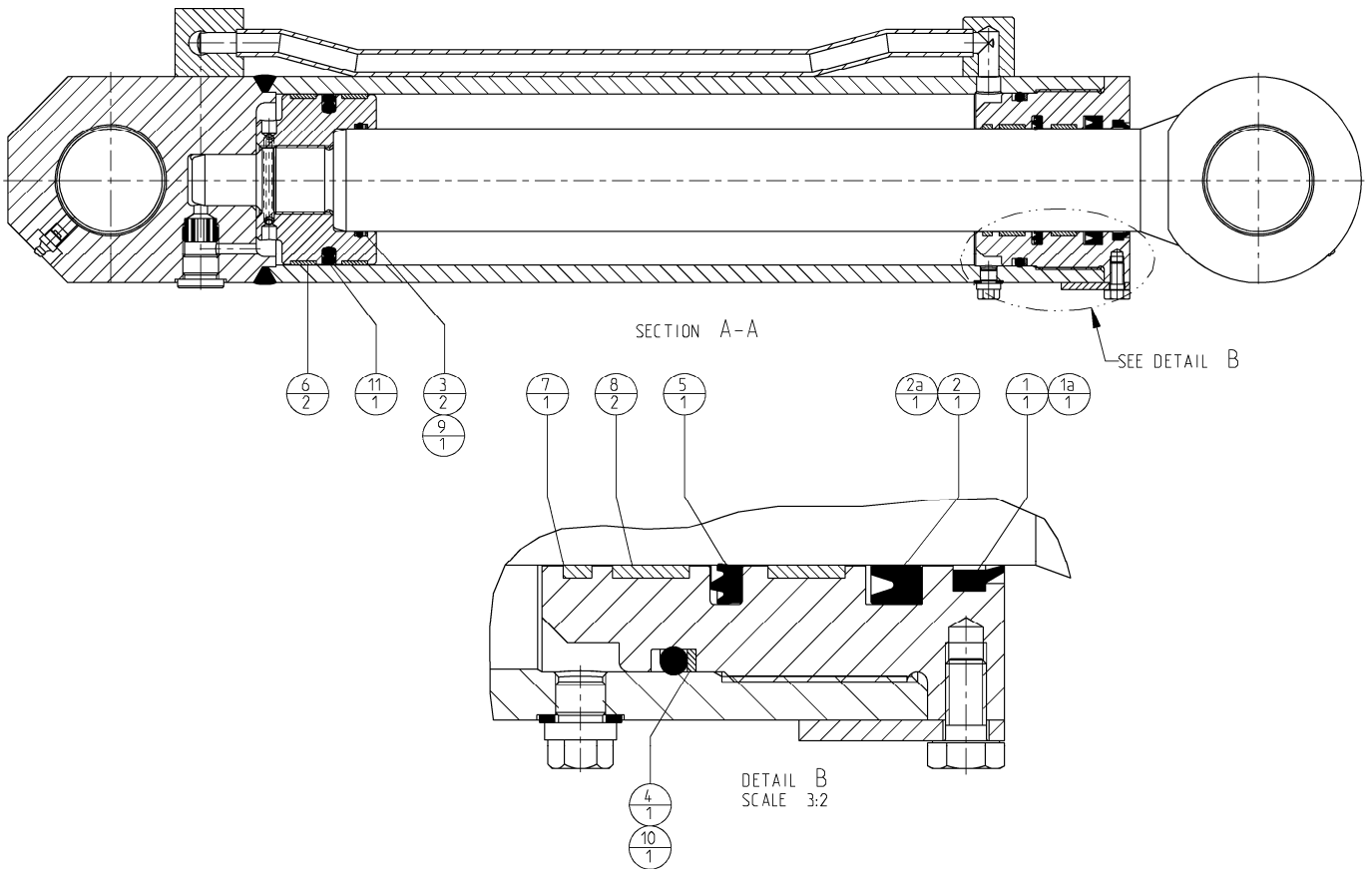
Note A  
Mount with Cyberbound TT62  
according instructions at the end  
of this partsbook.

table A

13	504027	Seal	1
12	503513	Blanking screw	1
11	500874	Cylinder - rod asm.	1
10	500871	Cylinder - house asm.	1
9	500863	Piston	1
8	500859	Lockplate	1
7	500752	Non-return valve	1
6	500652	Blanking end	1
5	500651	Blanking end	1
4	500583	Bushing	4
3	500560	Grease - nipple	2
2	500522	Springtype straight pin	1
1	500102	Bolts Hexagon	1
<b>POS</b>	<b>PARTNUMBER</b>	<b>PARTNAME</b>	<b>QT</b>

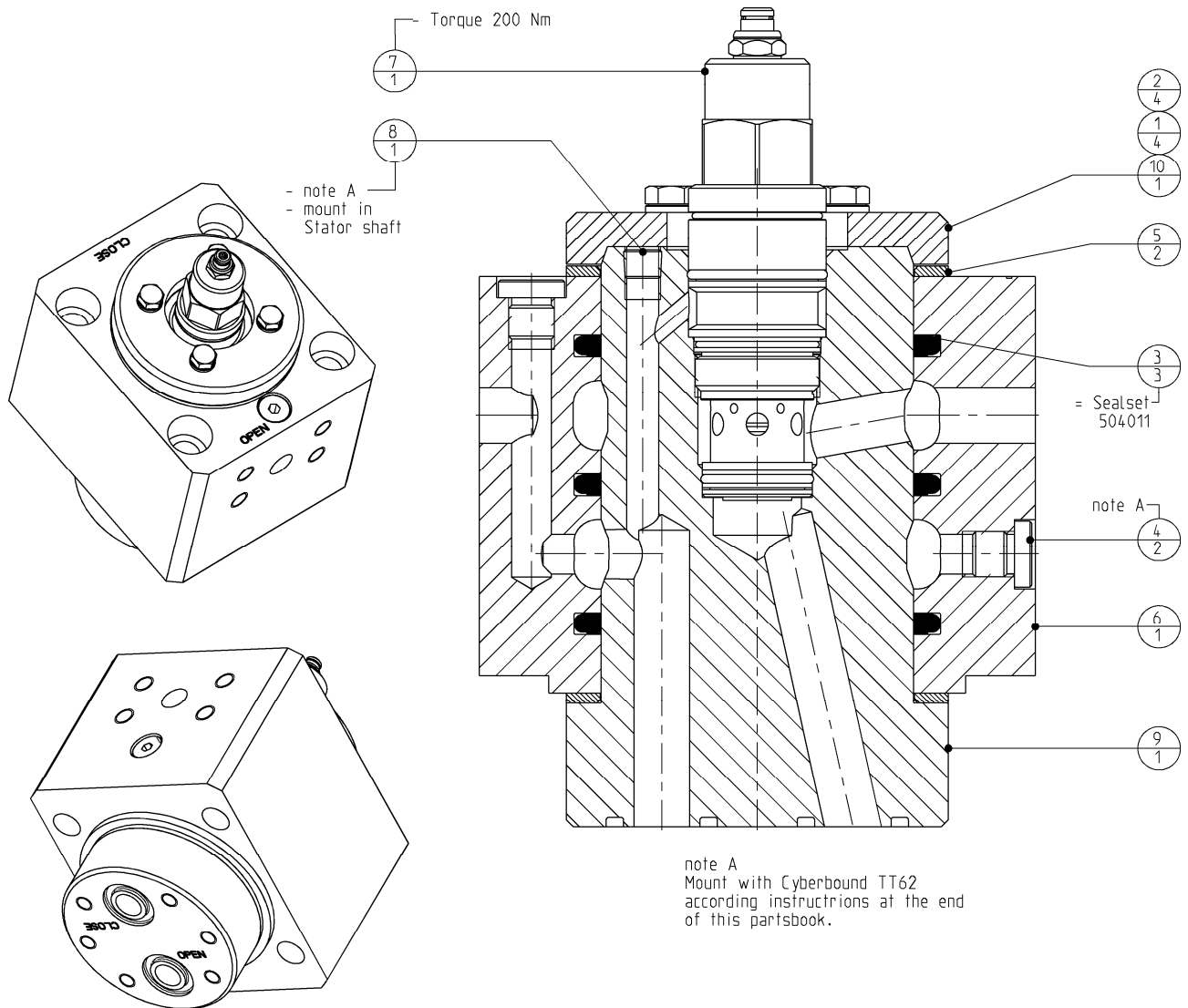


Sorting Grab	Page	8	of	16
	Date	July 2015		
	Product type	DRG-27-DN		
Sealset	Number	504092-01		



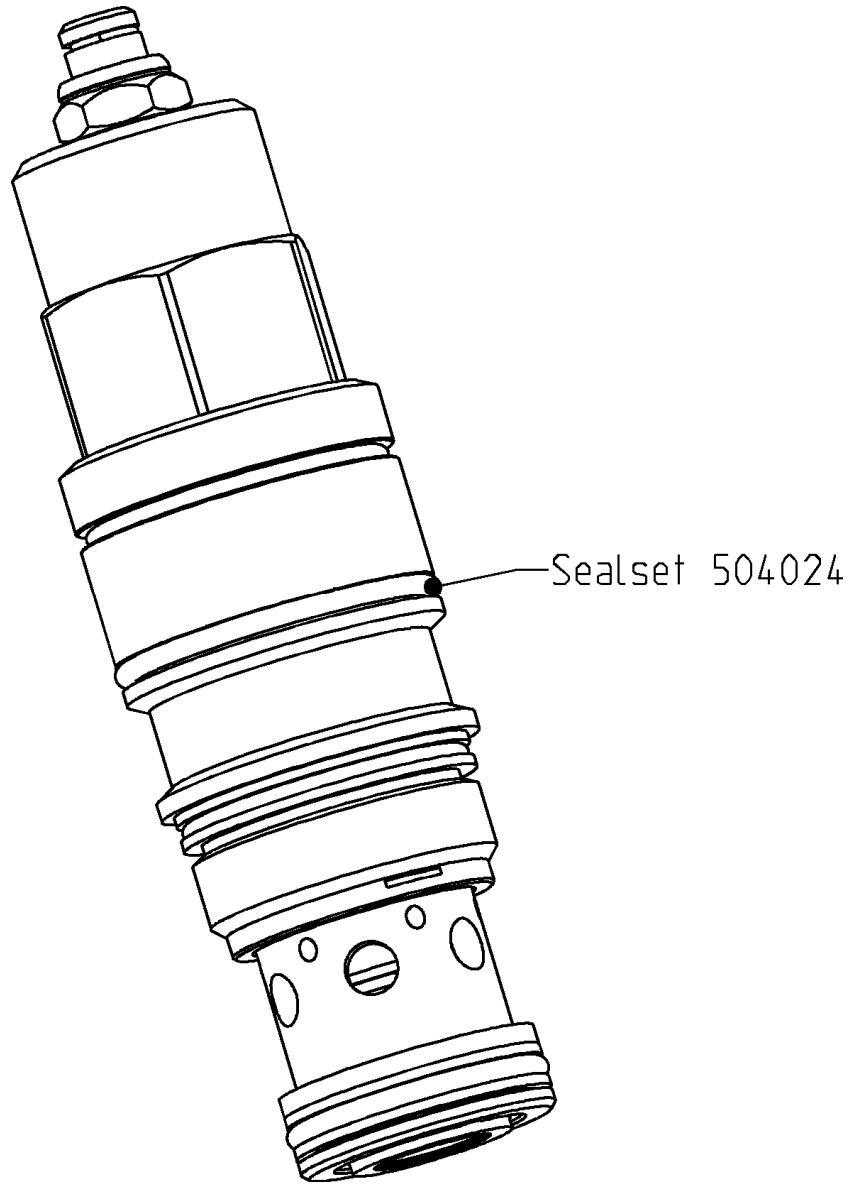
2a	RSK300600	Turcon Stepseal 2K	1
1a	UWRP606806	Scraper UWR-derivative	1
<b>POS</b>	<b>PARTNUMBER</b>	<b>PARTNAME</b>	<b>QT</b>
<b>Additional seals for service</b>			
11	PT0401000	Turcon Glydring T	1
10	ORAR00342	O-ring	1
9	ORAR00229	O-ring	1
8	GR73A0600	Bearing Luytex	2
7	GR6500600	Bearing Turcite	1
6	GP7301000	Bearing Luytex	2
5	BU006100656	Rod seal GP	1
4	BU4300924	Back-up ring	1
3	BU2700600	Back-up ring	2
2	B36074P6000	U-Cup	1
1	504088	Scraper	1
<b>POS</b>	<b>PARTNUMBER</b>	<b>PARTNAME</b>	<b>QT</b>

<h1>Sorting Grab</h1>	Page	9	of	16
	Date	July 2015		
	Product type	DRG-27-DN		
<h1>Swivel GP</h1>	Number	502955-08		

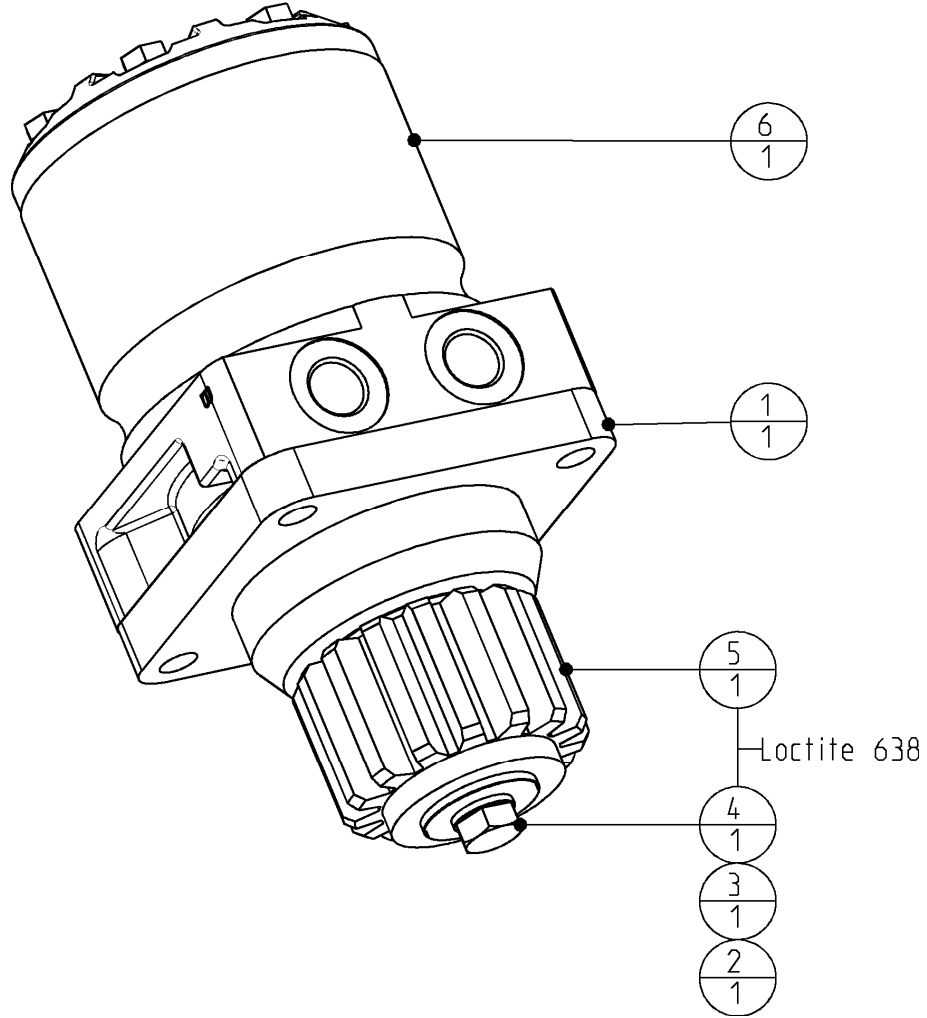


10	502957	Cover	1
9	502956	Stator	1
8	502123	Hex.socket plug-tapered	1
7	501380	Cartridge - counterbalance	1
6	500833	Housing	1
5	500832	Axial ring	2
4	500650	Blanking end	2
3	500630	Rotary Sealing set	3
2	500105	Bolts Hexagon	4
1	500066	Washer spring	4
<b>POS</b>	<b>PARTNUMBER</b>	<b>PARTNAME</b>	<b>QT</b>

Sorting Grab	Page	10	of	16
	Date	July 2015		
	Product type	DRG-27-DN		
Counter balance valve	Number	501380-02		

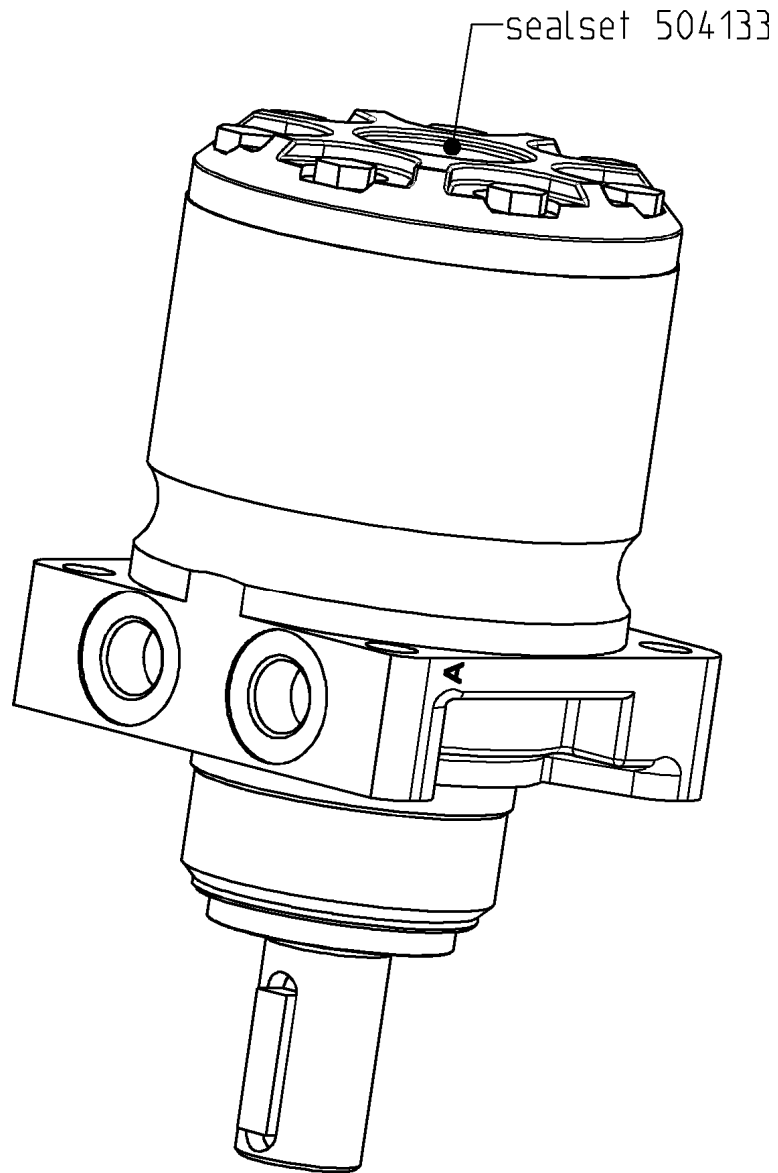


Sorting Grab	Page	11	of	16
	Date	July 2015		
	Product type	DRG-27-DN		
Hydraulic motor GP	Number	406190-00		

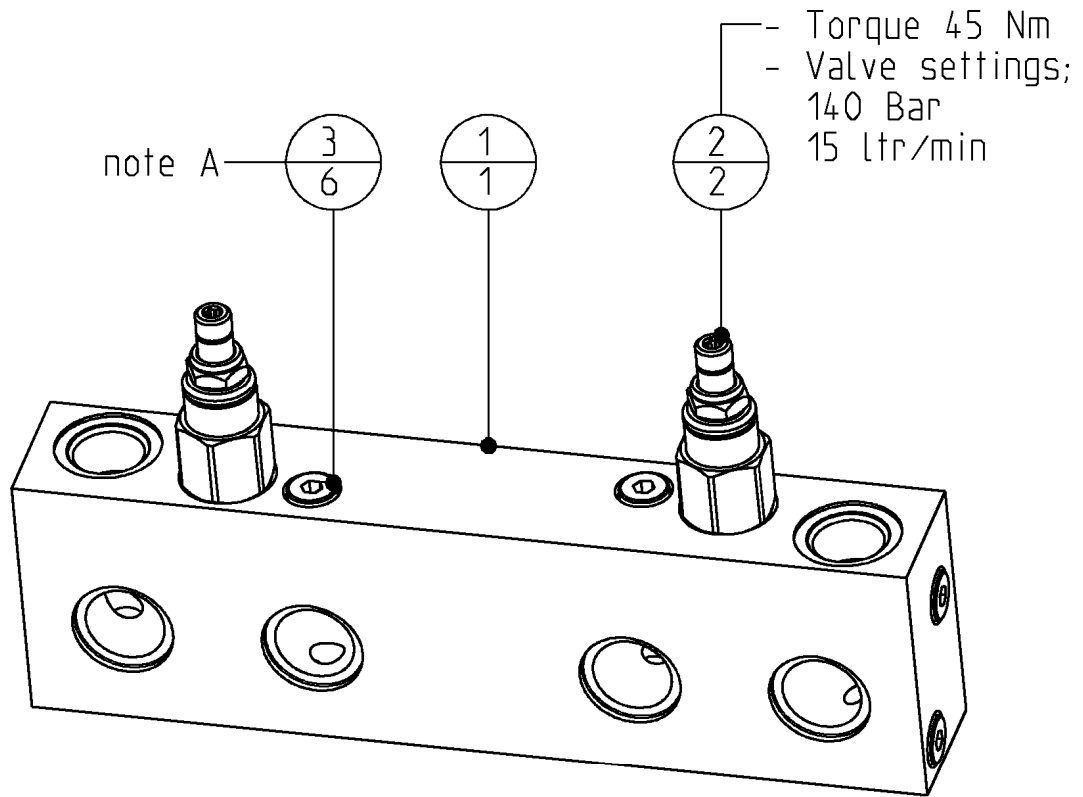


6	501375	Hydraulic motor	1
5	500851	Pinion	1
4	500131	Bolts Hexagon	1
3	500068	Washer spring	1
2	500062	Washer car	1
1	406191	Motorflange	1
<b>POS</b>	<b>PARTNUMBER</b>	<b>PARTNAME</b>	<b>QT</b>

Sorting Grab	Page	12	of	16
	Date	July 2015		
	Product type	DRG-27-DN		
Hydraulic motor	Number	501375-00		



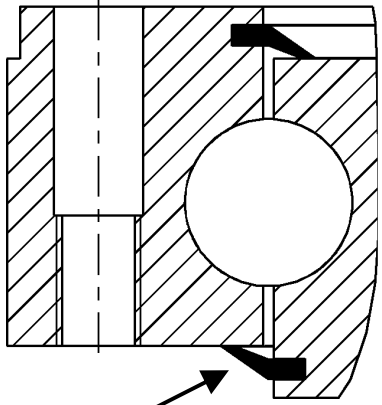
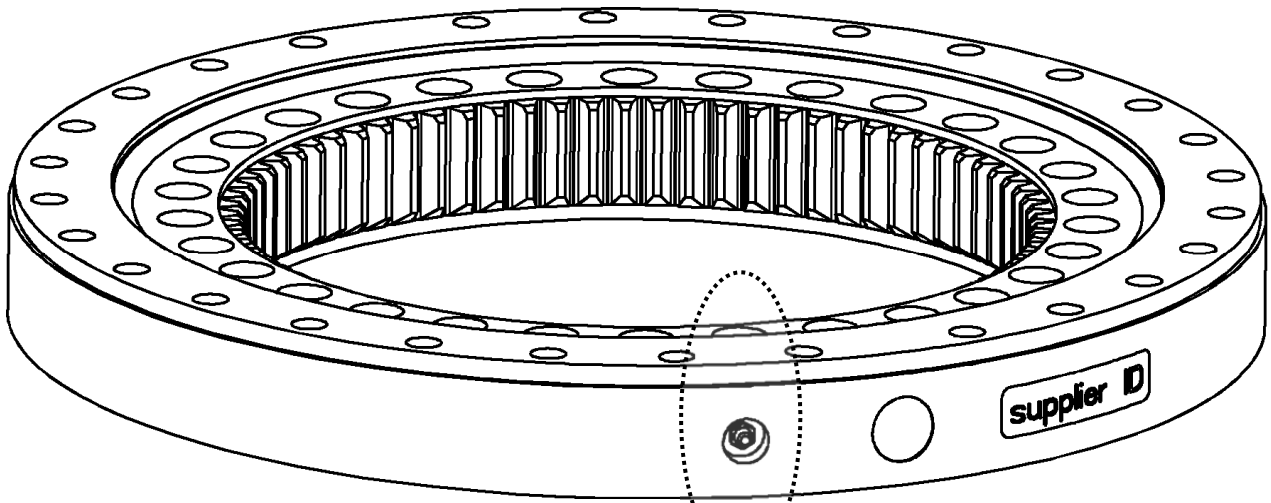
Sorting Grab	Page	13	of	16
	Date	July 2015		
	Product type	DRG-27-DN		
Valve Gp	Number	502910-03		



Note A  
 Mount with Cyberbound TT62  
 according instructions at the end  
 of this partsbook.

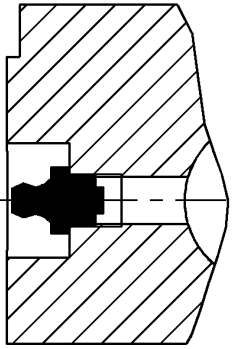
3	290066544	Blanking end ISO 6149	6
2	271060533	Cartridge- relief valve	2
1	502911	Baseplate	1
<b>POS</b>	<b>PARTNUMBER</b>	<b>PARTNAME</b>	<b>QT</b>

Sorting Grab	Page	14	of	16
	Date	July 2015		
	Product type	DRG-27-DN		
Slewing ring	Number	500590-03		



**2x seal 256060894  
mount with Loctite 480**

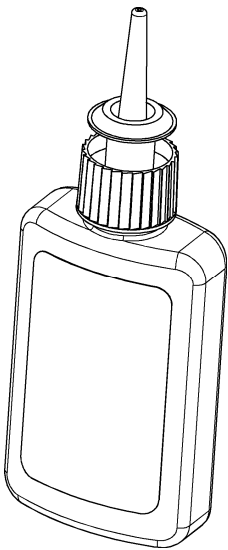
**2x grease nipple  
500560**



Sorting Grab	<i>Page</i>	15	<i>of</i>	16
	<i>Date</i>	July 2015		
	<i>Product type</i>	DRG-27-DN		
Additional parts	<i>Number</i>	n.a.		

Chemical lock

195050158	Cyberbond TT62 Pumpgel	1
506018	Loctite 480 Flacon 20 gr	1
506017	Loctite 638 Flacon 50 ml	1
506016	Loctite 270 Flacon 50 ml	1
<b>PARTNUMBER</b>	<b>PARTNAME</b>	<b>QT</b>





<b>Sorting Grab</b>	<i>Page</i>	16	of	16
	<i>Date</i>	July 2015		
	<i>Product type</i>	DRG-27-DN		
<b>Instructions</b>	<i>Number</i>	n.a.		

## Mounting instructions for Cyberbound TT 62

This instruction shall guarantee that all hydraulic fittings and cartridges will be mounted and glued in correctly.

### Procedure:

Clean and degrease thoroughly all components with a special cleaner for anaerobic adhesives (e.g. Loctite cleaner 7063) or acetone.

Apply on the outside thread only a bead of Cyberbond TT62 pump gel to approx. 2/3 of the girth of the second thread for fittings up to a diameter of 20mm or to the entire girth for fittings with a diameter larger than 20mm.



Cyberbound  
TT 62



Clean from adhesive residues pressed out from the bore hole after fitting.

**ATTENTION. The sealings shall be free of adhesive residues!**

Tighten fittings with given fastening torques.

## Standard torque values for bolts (when not indicated)

Thread size	Torque (Nm) for quality		
	<b>8.8</b>	<b>10.9</b>	<b>12.9</b>
<b>M8</b>	22,5	32,4	38,7
<b>M10</b>	45,0	63,0	75,6
<b>M12</b>	77,4	109,0	131,0
<b>M16</b>	194,0	270,0	324,0
<b>M20</b>	369,0	522,0	630,0
<b>M24</b>	639,0	900,0	1080,0
<b>M27</b>	945,0	1305,0	1575,0
<b>M30</b>	1260,0	1800,0	2160,0



## DEMAREC AND KINSHOFER WORLDWIDE

---

### Netherlands:

#### **Demarec**

Demolition and Recycling Equipment BV

Den Hoek 10

5845 EL St. Anthonis

Netherlands

TEL. +31 (0) 485 442300

FAX +31 (0) 485 442120

Email:

info@demarec.com

### United Kingdom:

#### **Kinshofer UK Ltd.**

4 Milton Industrial Court,

Horsfield Way, Bredbury

Stockport, Cheshire, SK6 2TA

United Kingdom

TEL. +44 (0) 161 - 406 7046

FAX +44 (0) 161 - 406 7014

Email:

sales@kinshofer.co.uk

### France:

#### **Kinshofer France S.A.R.L.**

B.P. 20100

67213 Obernai Cedex

France

TEL. +33 (0) 388 39 55 00

FAX +33 (0) 388 79 06 75

Email:

info@kinshofer.fr

### Czech Republic:

#### **Kinshofer CZ s.r.o.**

Cs. Legii 568

37810 Ceske Velenice

Czech Republic

TEL. +420 384 - 795 110

FAX +420 384 - 795 120

### Headquarters:

#### Germany:

**Kinshofer GmbH**

Hauptstrasse 76

83666 Waakirchen

Germany

TEL. +49 (0) 8021 - 88 99 0

FAX +49 (0) 8021 - 88 99 37

Email:

info@kinshofer.com

#### North America:

#### **Kinshofer North America**

5040 Mainway Drive, Unit 11

Burlington, ON L7L 7G5

Canada

TEL. +1 (905) 335 2856

FAX +1 (905) 335 4529

Toll Free in Canada and USA:

TEL. 1-800-268-9525

Email:

sales-northamerica@kinshofer.com

#### Finland:

#### **Kinshofer Aponox Oy**

Terminaalitie 10

13430 Hämeenlinna

Finland

TEL. +358 (0)75 7540 200

FAX +358 (0)75 7540 210

#### Beijing:

#### **Darda Kinshofer**

#### **Construction Machinery Co. Ltd.**

Unit #306, Landmark Tower 2

8 Dongsanhuan Road

Beijing 100004

China

TEL. +86 (10) 6590 6422

FAX +86 (10) 6590 6423

Email:

info@darda.com.cn