

Parts book

| Product type |
|------------------|
| MQP-45-D Serie 1 |



Den Hoek 10
5845 EL St. Anthonis
the Netherlands
Telephone +31 (0)485 442300
Fax +31 (0)485 442120

info@demarec.com
www.demarec.com



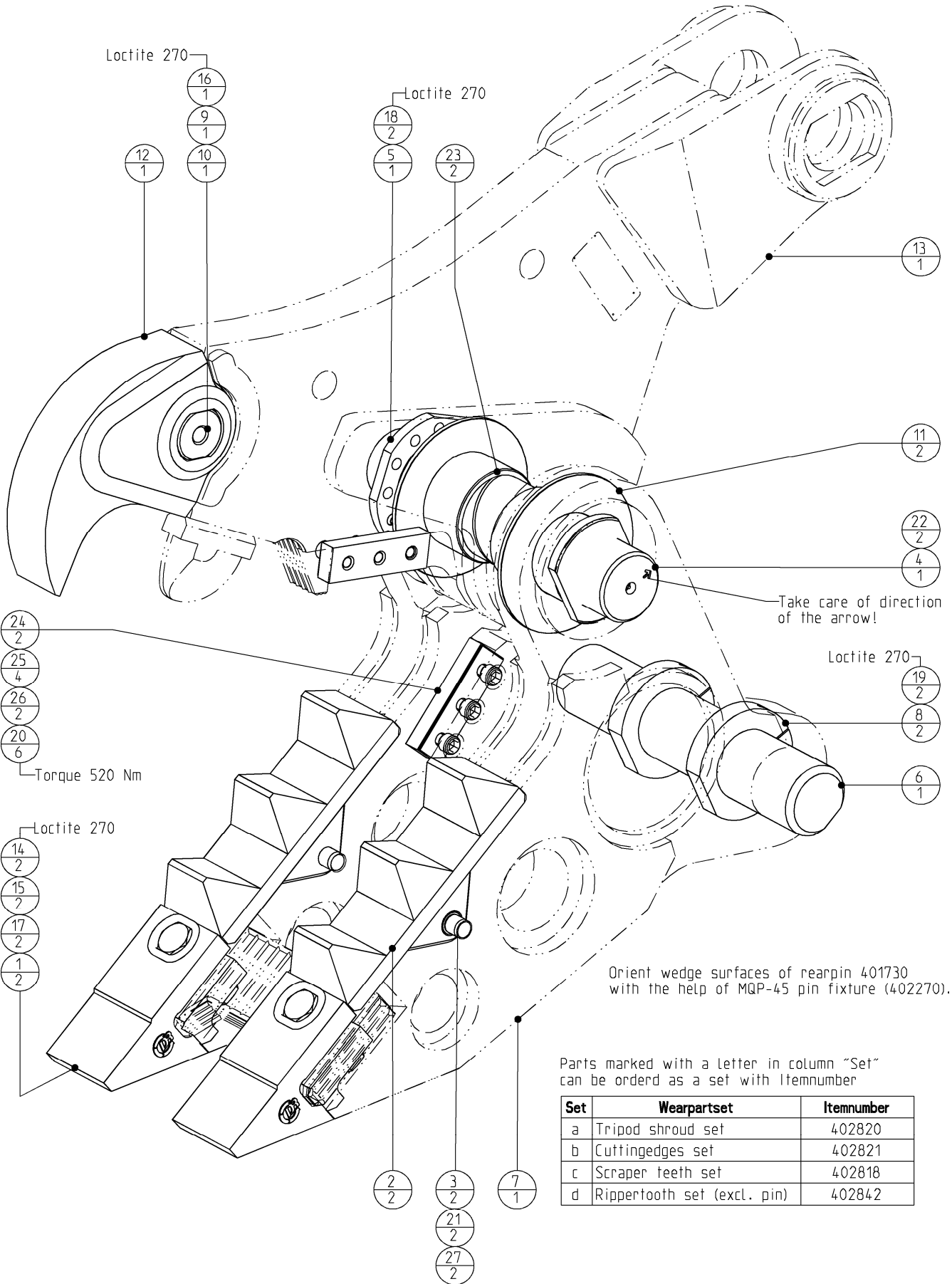
*Copyright Demolition and Recycling Equipment BV
All rights strictly reserved.
Reproductions to third parties in any form whatever is not permitted
without written authority from the proprietor*

Partsbook_mqp45d120aaa.doc

Multi Quick Processor

| | | | |
|--------------|--------------|----|---|
| Page | 1 | of | 2 |
| Date | April 2009 | | |
| Product type | MQP-45-D | | |
| Number | MQP45D120AAA | | |

Jaw Group



Take care of direction of the arrow!

Orient wedge surfaces of rearpin 401730 with the help of MQP-45 pin fixture (402270).

Parts marked with a letter in column "Set" can be ordered as a set with Itemnumber

| Set | Wearpartset | Itemnumber |
|-----|-----------------------------|------------|
| a | Tripod shroud set | 402820 |
| b | Cuttingedges set | 402821 |
| c | Scraper teeth set | 402818 |
| d | Rippertooth set (excl. pin) | 402842 |

Multi Quick Processor

| | | | |
|--------------|--------------|----|---|
| Page | 2 | of | 2 |
| Date | April 2009 | | |
| Product type | MQP-45-D | | |
| Number | MQP45D120AAA | | |

Jaw Group

| | | | | |
|------------|------------|-------------------|----------------------------|-----------|
| a | 27 | 504053 | O-ring | 2 |
| b | 26 | 500952 | Shim - straight | 2 |
| b | 25 | 500951 | Shim - straight | 4 |
| b | 24 | 500950 | Shear - blade straight | 2 |
| | 23 | 500573 | Bushing | 2 |
| | 22 | 500560 | Grease - nipple | 2 |
| a | 21 | 500559 | Tension bush - outside | 2 |
| b | 20 | 500271 | Hex. socket head cap screw | 6 |
| | 19 | 500262 | Hex. socket head cap screw | 2 |
| | 18 | 500247 | Hex. socket head cap screw | 2 |
| c | 17 | 500201 | Bolts Hexagon | 2 |
| d | 16 | 500144 | Bolts Hexagon | 1 |
| c | 15 | 500058 | Washer HV | 2 |
| c | 14 | 500009 | Nut Hexagon | 2 |
| | 13 | 403825 | Jaw - upper asm. | 1 |
| d | 12 | 402922 | Ripper - tooth | 1 |
| | 11 | 402482 | Spacer | 2 |
| | 10 | 402163 | Lock - pin | 1 |
| d | 9 | 401965 | Lock - cover | 1 |
| | 8 | 401764 | Ring - clamp | 2 |
| | 7 | 401732 | Jaw - lower asm. machined | 1 |
| | 6 | 401730 | Pin | 1 |
| | 5 | 401729 | Locknut M130x4 | 1 |
| | 4 | 401728 | Pin | 1 |
| a | 3 | 401311 | Lock - pin | 2 |
| a | 2 | 401194 | Shroud - tripod | 2 |
| c | 1 | 401193 | Tooth - scraper | 2 |
| Set | POS | PARTNUMBER | PARTNAME | QT |