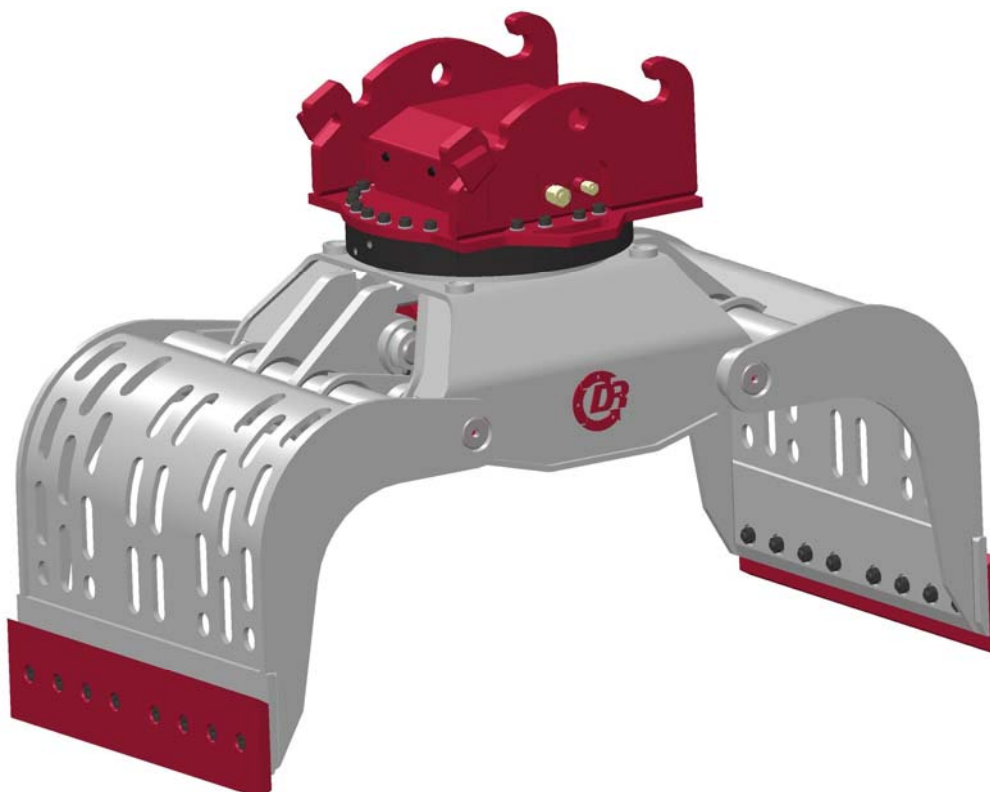




Partsbook
for
Sorting Grab
DRG-28 / D32HD

Product	Part Number	Ref.
DRG-28 / D32H Serie 6	D32HD110ABE5-A	



Partsbook_d32hd110abe5-a.docx

September 2013

Demarec Demolition and Recycling Equipment BV

Den Hoek 10, 5845 EL St. Anthonis, Netherlands

TEL.
FAX

+31 (0) 485 442300
+31 (0) 485 442120

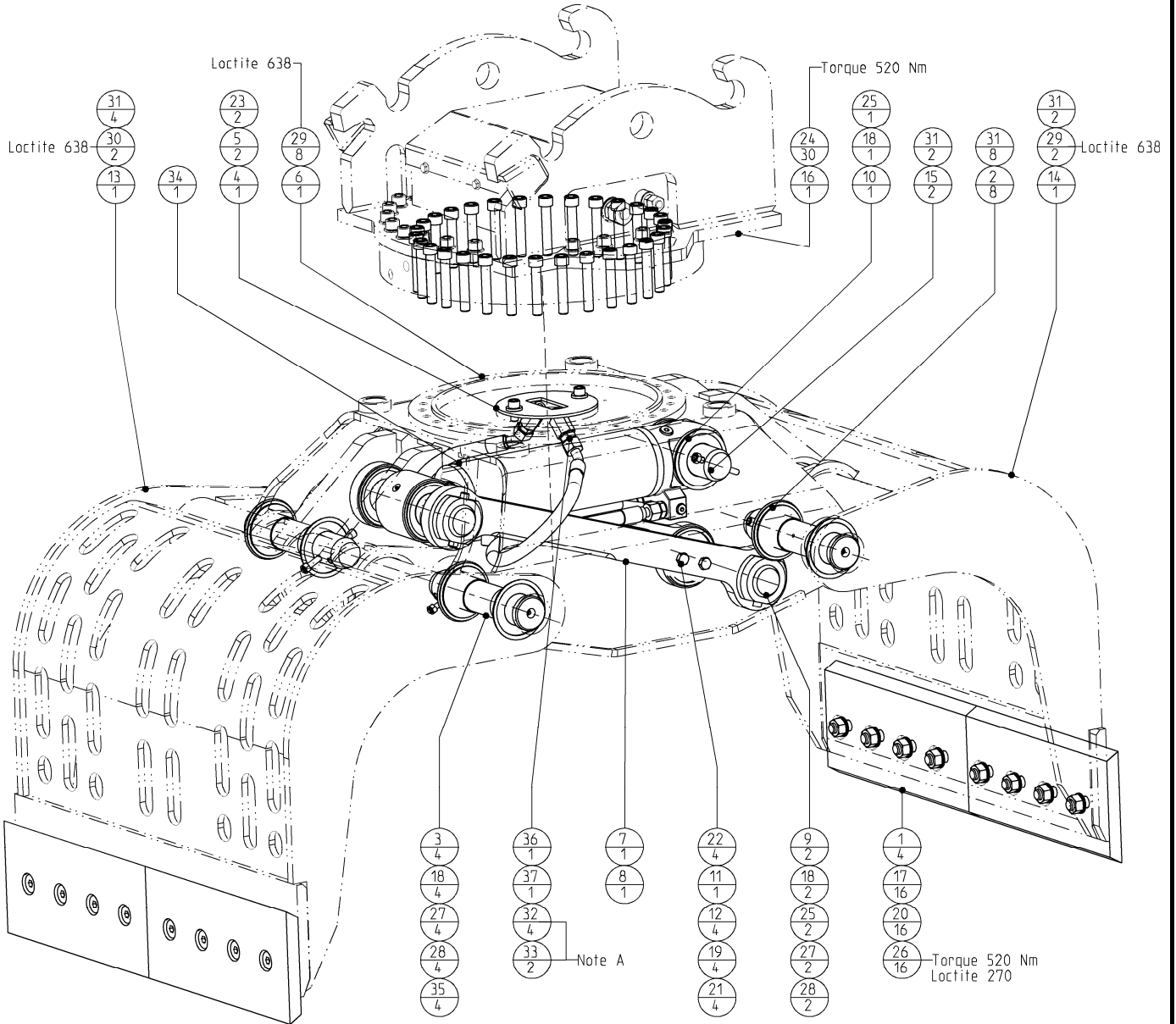
INTERNET
E-MAIL

www.demarec.com
info@demarec.com

Sorting Grab

Grapple GP

Page	1	of	15
Date	September 2013		
Product type	DRG-28 / D32HD		
Number	D32HD110ABE5-A		

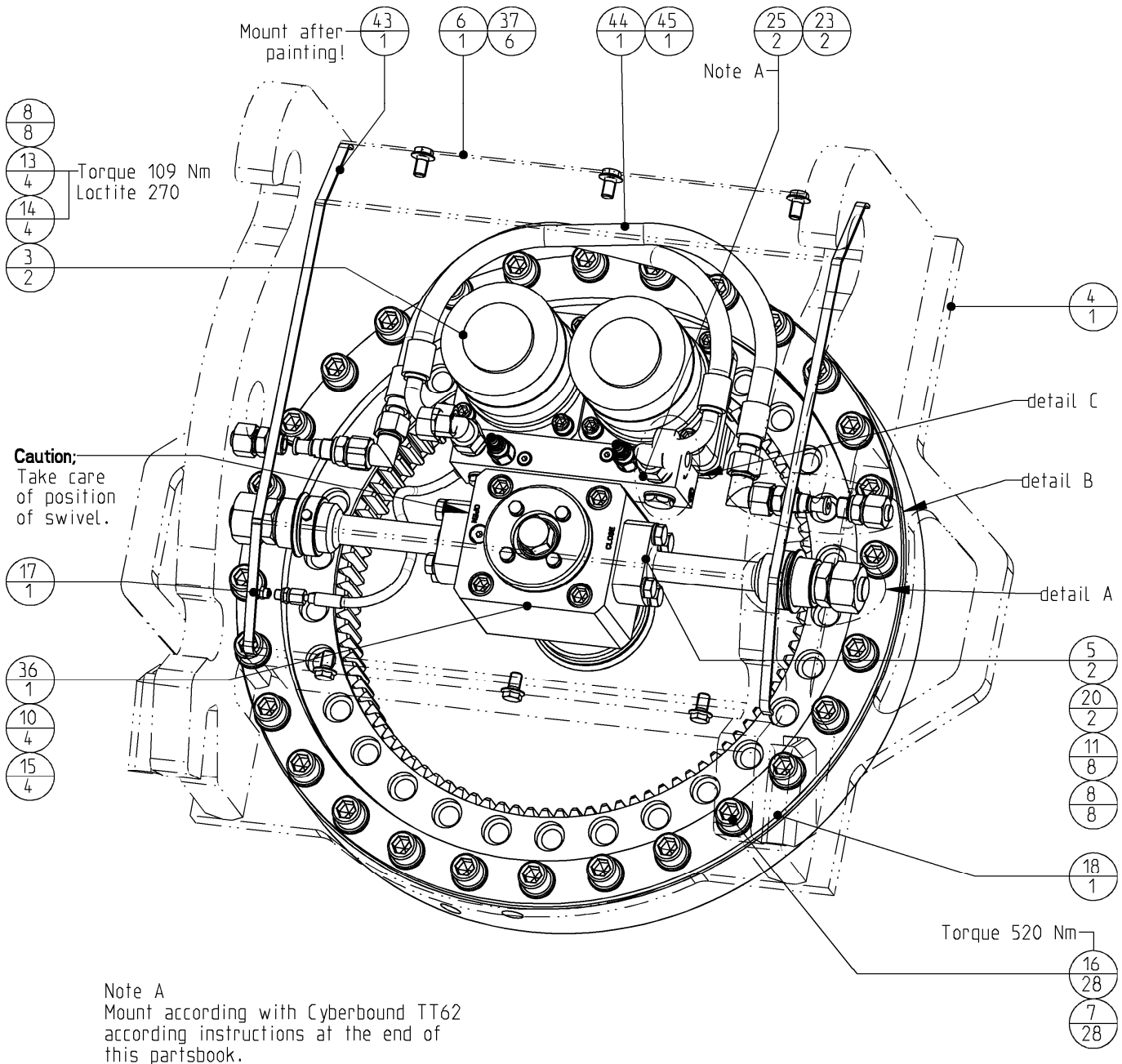


Note A
Mount with Cyberbound TT62
according instructions at the end
of this partsbook.

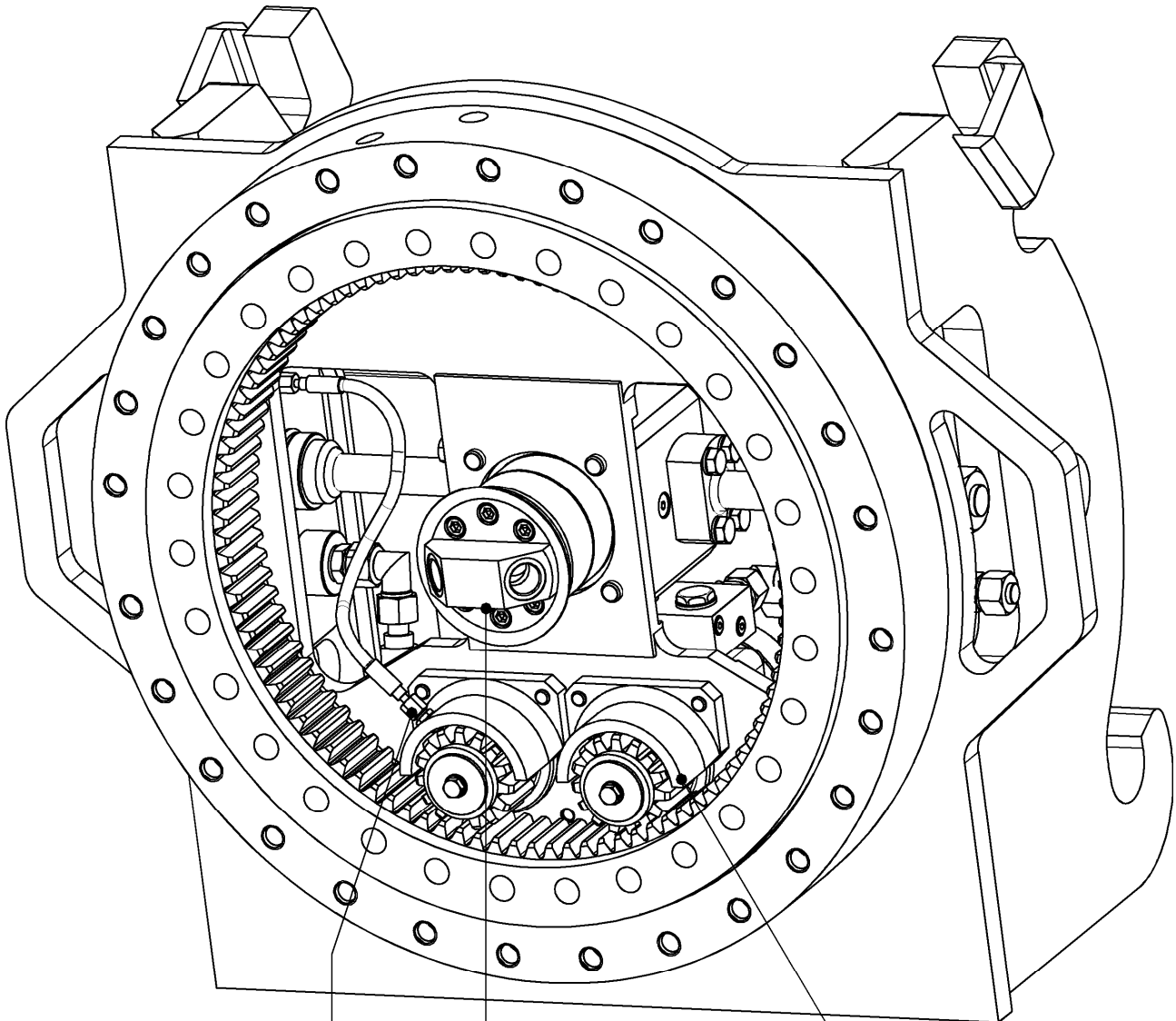
Parts marked with a letter in column "Set"
can be ordered as a set with Itemnumber

Set	Wearpartset	Itemnumber
a	2 piece cutting edge set	402808
	1 piece cutting edge set	402809

<h1>Sorting Grab</h1>	Page	3	of	15
	Date	September 2013		
	Product type	DRG-28 / D32HD		
<h2>Rotatorhead GP</h2>	Number	406020-00		



<h1>Sorting Grab</h1>	Page	4	of	15
	Date	September 2013		
	Product type	DRG-28 / D32HD		
<h2>Rotatorhead GP</h2>	Number	406020-00		



- 42
1
- 24
2

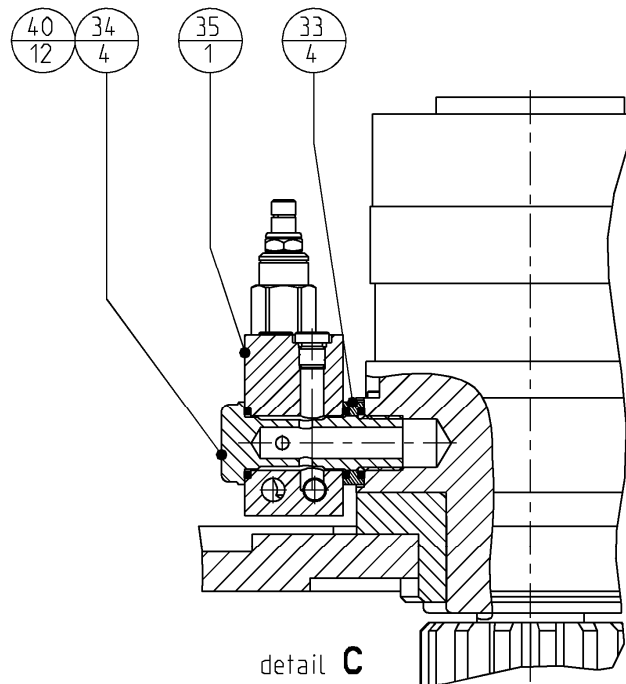
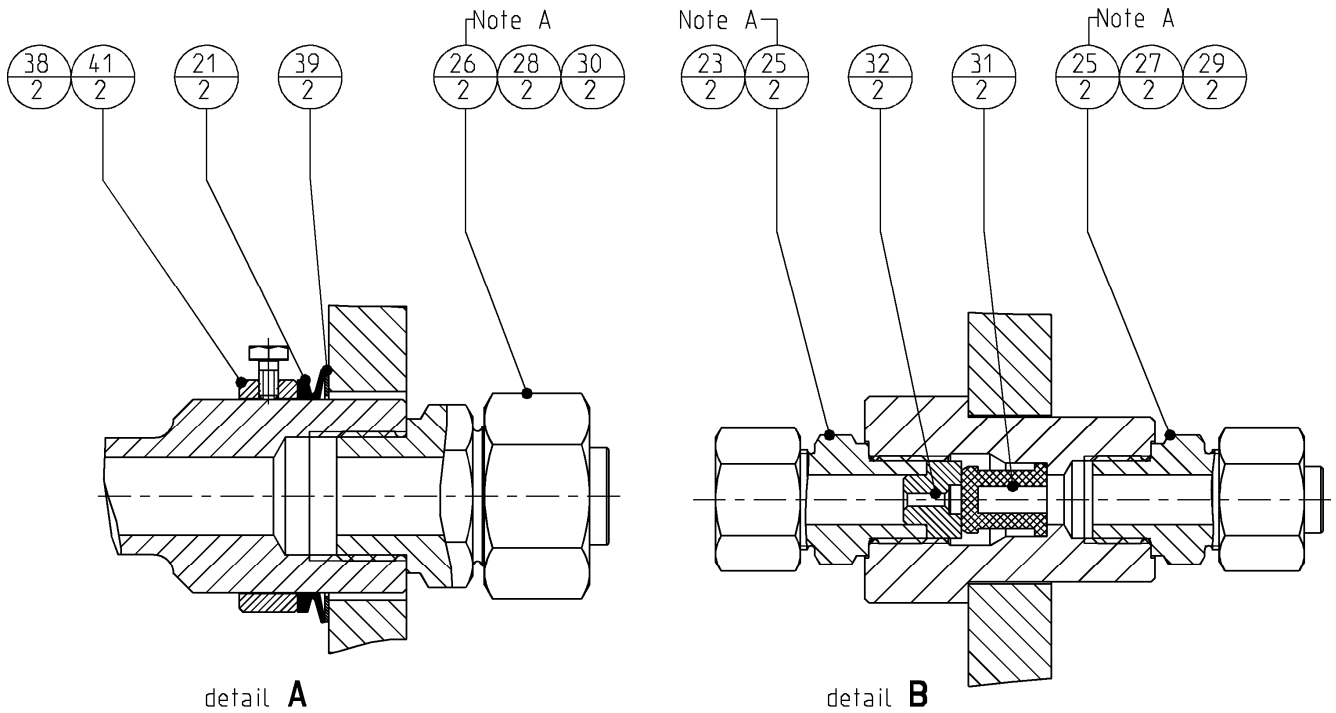
- 2
1
- 9
6
- 12
6
- 19
2
- 22
1

- 1
2

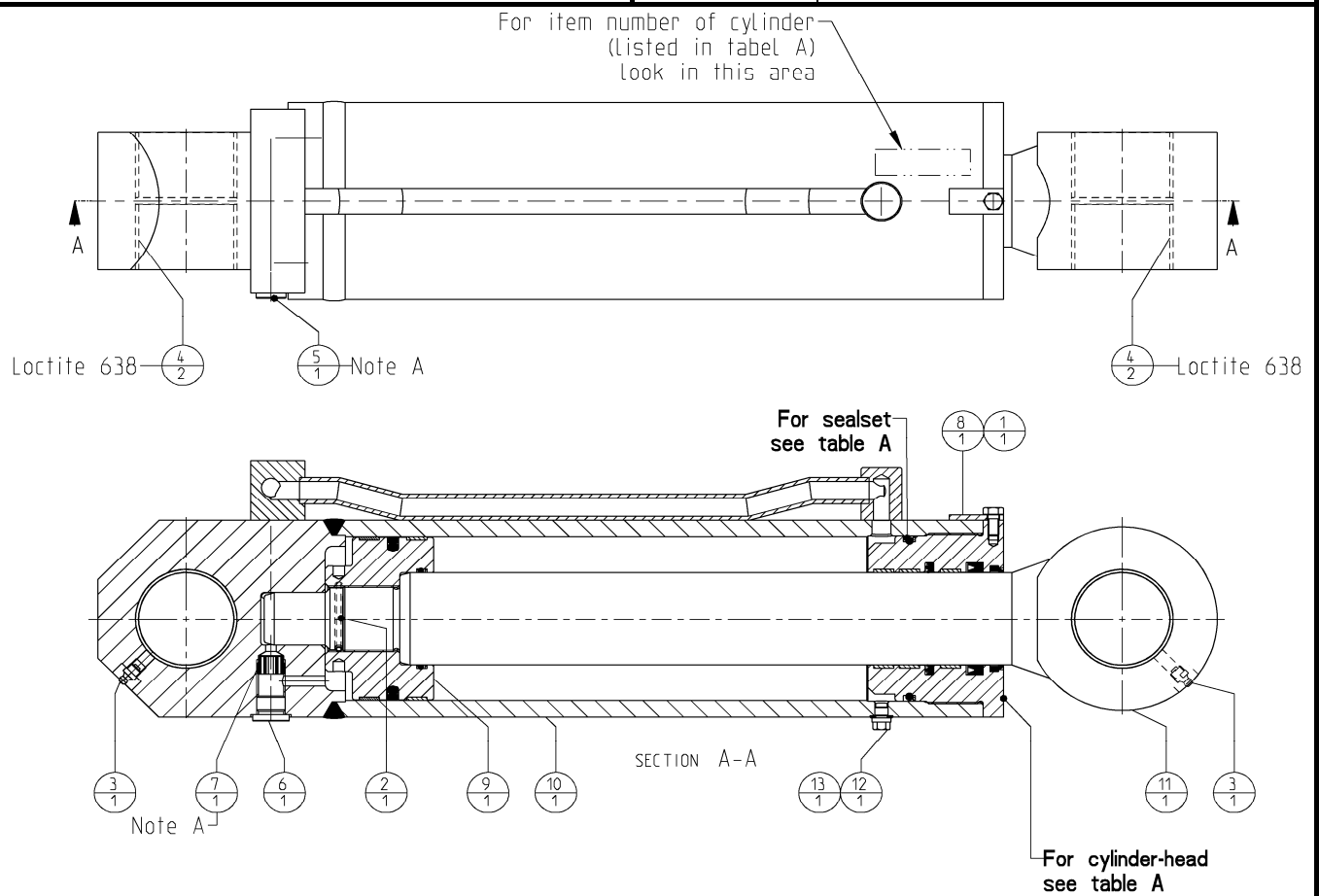
Sorting Grab

Page	5	of	15
Date	September 2013		
Product type	DRG-28 / D32HD		
Number	406020-00		

Rotatorhead GP



<h1>Sorting Grab</h1>	Page	7	of	15
	Date	September 2013		
	Product type	DRG-28 / D32HD		
<h1>Cylinder GP</h1>	Number	502450-01		



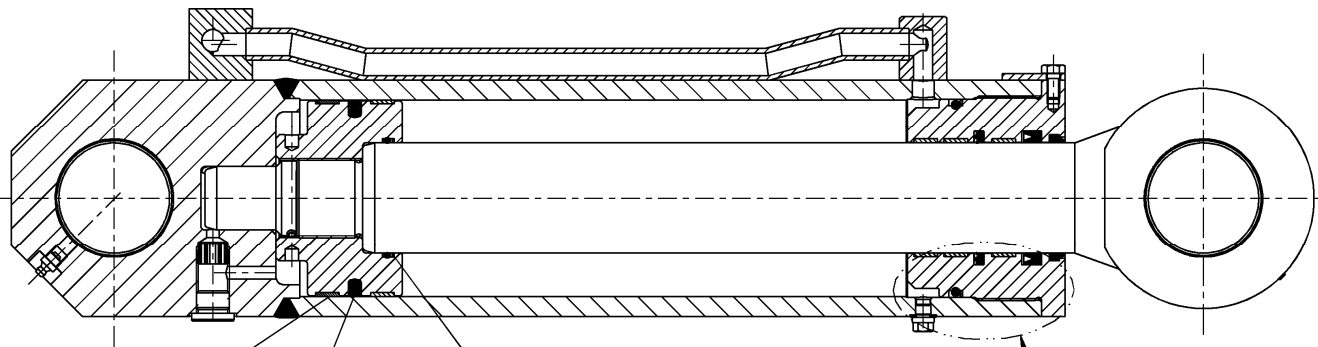
sealset and cylinderhead			
Item no. (on cylinder)	Sealset (service only)	Cylinder-head	Remark
502450 - 00 and up	504093	502451	
500880 - 00 and up	504093	500881	502451 replaces 500881

Note A
Mount with Cyberbound TT62
according instructions at the end
of this partsbook.

table A

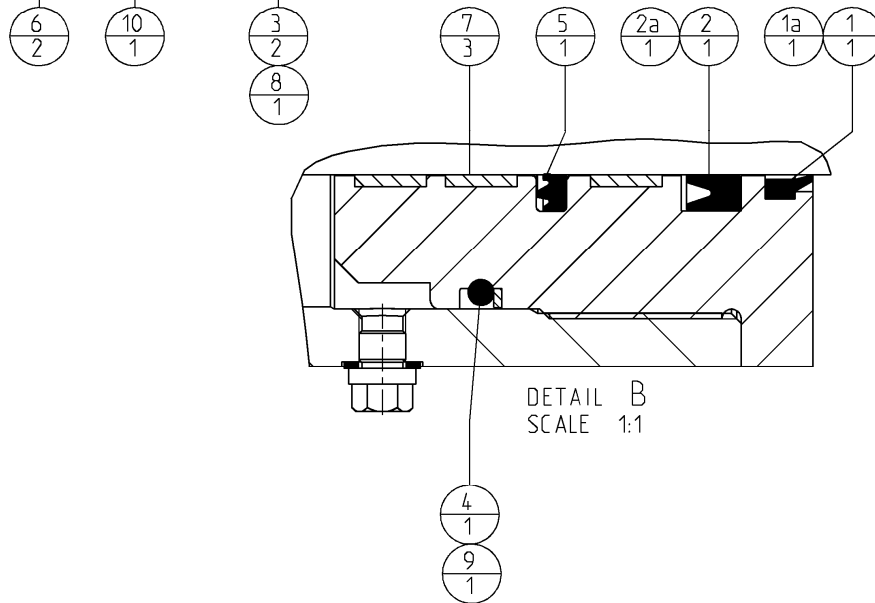
13	504027	Seal	1
12	503513	Blanking screw	1
11	500889	Cylinder - rod asm.	1
10	500883	Cylinder - house asm.	1
9	500882	Piston	1
8	500859	Lockplate	1
7	500752	Non-return valve	1
6	500652	Blanking end	1
5	500651	Blanking end	1
4	500584	Bushing	4
3	500560	Grease - nipple	2
2	500522	Springtype straight pin	1
1	500102	Bolts Hexagon	1
POS	PARTNUMBER	PARTNAME	QT

<h1>Sorting Grab</h1>	Page	8	of	15
	Date	September 2013		
	Product type	DRG-28 / D32HD		
<h1>Sealset</h1>	Number	504093-01		



SECTION A-A

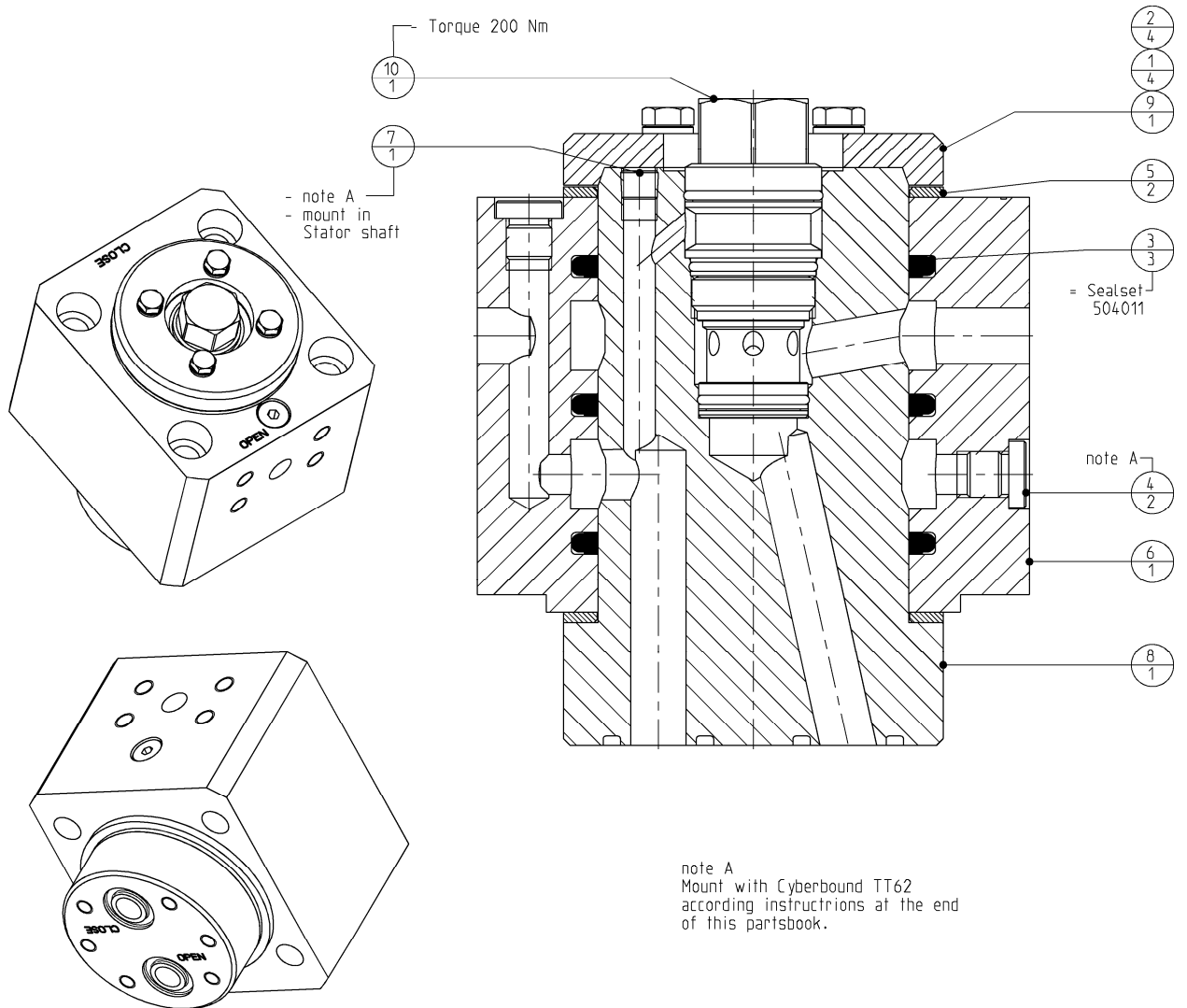
SEE DETAIL B



DETAIL B
SCALE 1:1

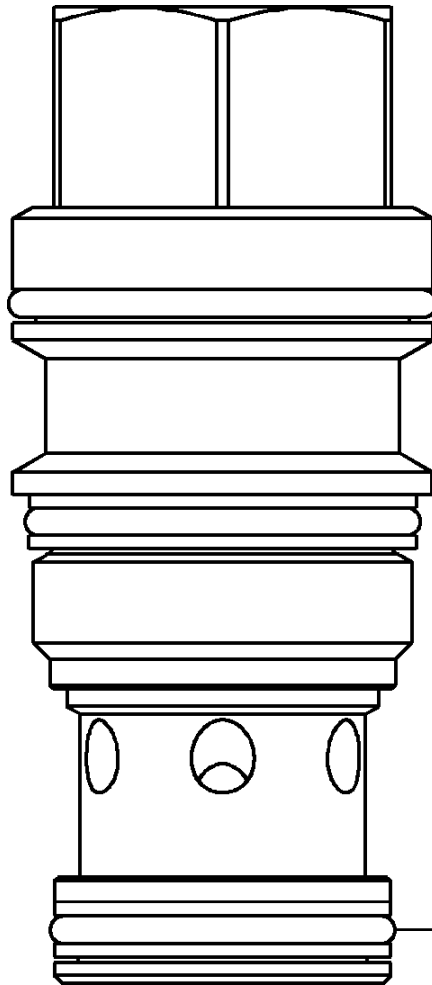
2a	RSK300700	Turcon Stepseal 2K	1
1a	UWRP707806	Scraper UWR-derivative	1
POS	PARTNUMBER	PARTNAME	QT
Additional seals for service			
10	PT0401250	Turcon Glydring T	1
9	ORAR00349	O-ring	1
8	ORAR00232	O-ring	1
7	GR73A0700	Bearing Luytex	3
6	GP7301250	Bearing Luytex	2
5	BU007100656	Rod seal GP	1
4	BU4301174	Back-up ring	1
3	BU2700700	Back-up ring	2
2	B37085P6000	U-Cup	1
1	504089	Scraper	1
POS	PARTNUMBER	PARTNAME	QT

<h1>Sorting Grab</h1>	Page	9	of	15
	Date	September 2013		
	Product type	DRG-28 / D32HD		
<h1>Swivel GP</h1>	Number	502955-03		



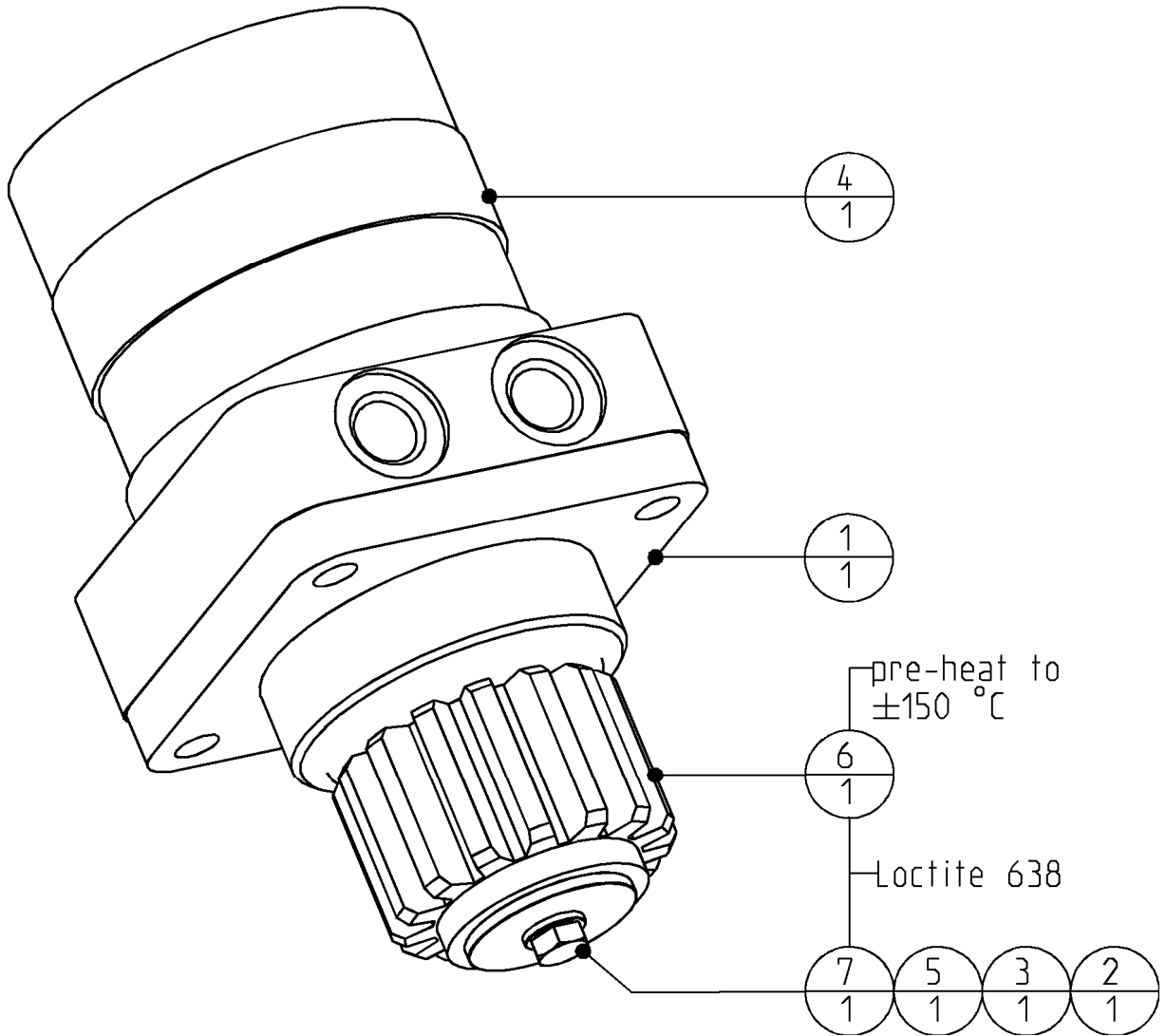
10	271013057	Check cartridge valve	1
9	502957	Cover	1
8	502956	Stator	1
7	502123	Hex.socket plug-tapered	1
6	500833	Swivel - housing	1
5	500832	Axial ring	2
4	500650	Blanking end	2
3	500630	Seal - Roto Glyd Ring	3
2	500105	Bolts Hexagon	4
1	500066	Washer spring	4
POS	PARTNUMBER	PARTNAME	QT

Sorting Grab	Page	10	of	15
	Date	September 2013		
	Product type	DRG-28 / D32HD		
Check Valve	Number	271013057-B		



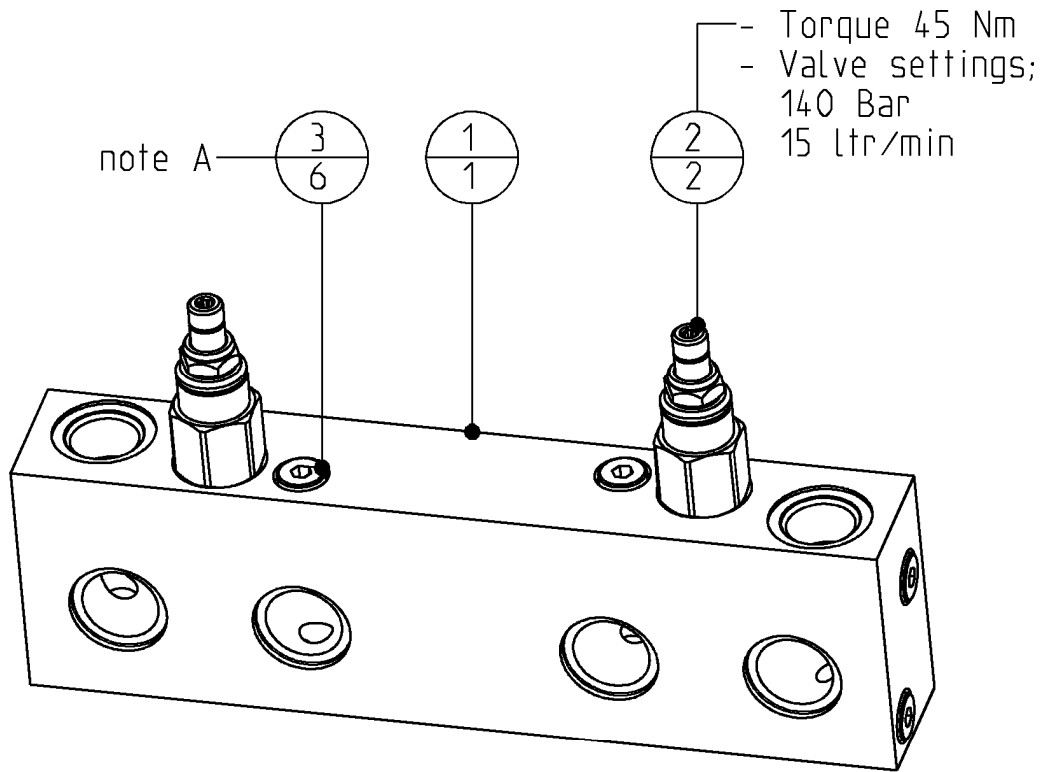
sealset 504116

Sorting Grab	Page	11	of	15
	Date	September 2013		
	Product type	DRG-28 / D32HD		
Hydraulic motor GP	Number	404727-02		



7	120050416	Bolts Hexagon	1
6	508079	Pinion	1
5	506044	Key - parallel	1
4	501090	Hydraulic motor	1
3	500067	Washer spring	1
2	404729	Washer	1
1	404728	Motorflange	1
POS	PARTNUMBER	PARTNAME	QT

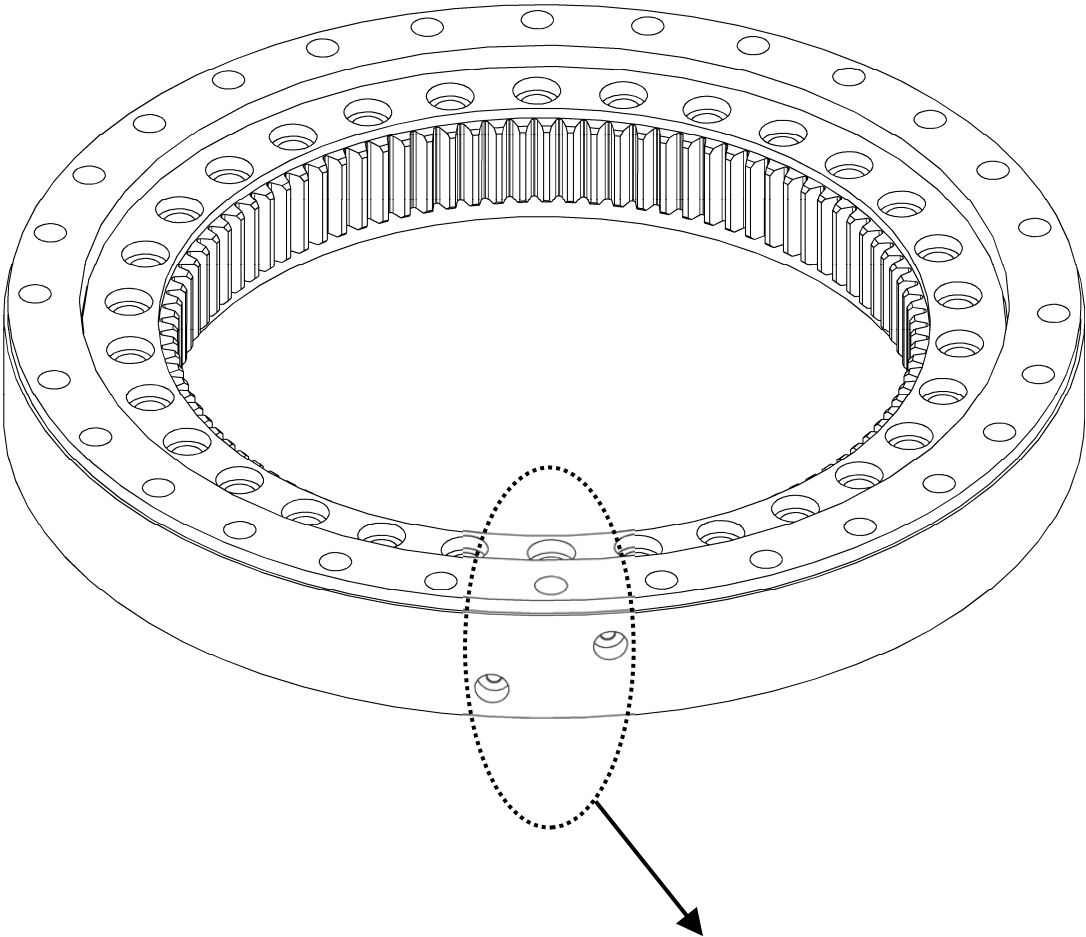
Sorting Grab	Page	12	of	15
	Date	September 2013		
	Product type	DRG-28 / D32HD		
Valve GP	Number	502910-02		



Note A
 Mount with Cyberbound TT62
 according instructions at the end
 of this partsbook.

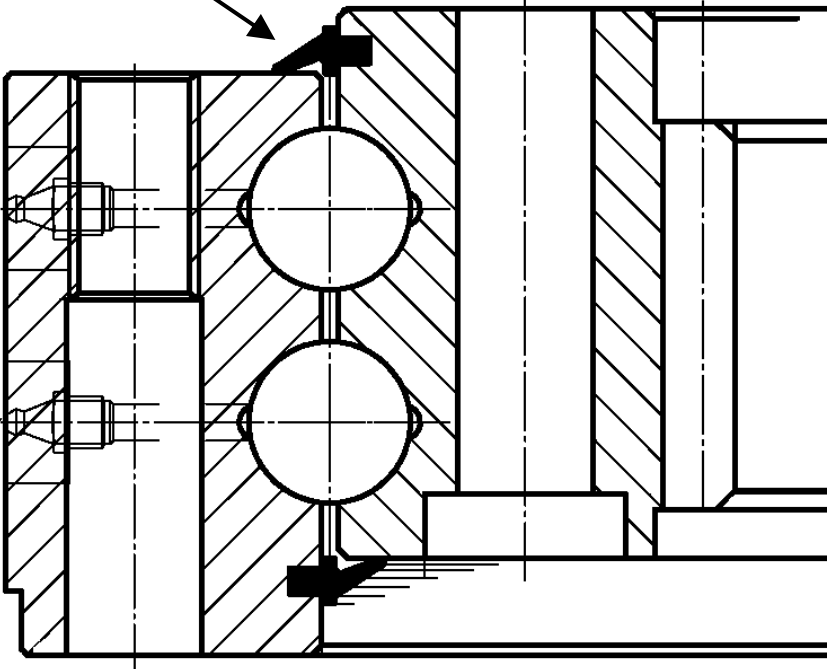
3	290066544	Blanking end ISO 6149	6
2	271060533	Cartridge relief	2
1	502911	Baseplate	1
POS	PARTNUMBER	PARTNAME	QT

Sorting Grab	Page	13	of	15
	Date	September 2013		
	Product type	DRG-28 / D32HD		
Slewing ring	Number	500591-00		



**2x seal 256060900
mount with Loctite 480**

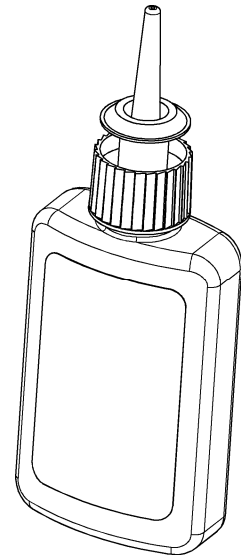
**4x grease nipple
500560**



Sorting Grab	<i>Page</i>	14	<i>of</i>	15
	<i>Date</i>	September 2013		
	<i>Product type</i>	DRG-28 / D32HD		
Additional parts	<i>Number</i>	n.a.		

Chemical lock

195050158	Cyberbond TT62 Pumpgel	1
506018	Loctite 480 Flacon 20 gr	1
506017	Loctite 638 Flacon 50 ml	1
506016	Loctite 270 Flacon 50 ml	1
PARTNUMBER	PARTNAME	QT



Sorting Grab	<i>Page</i>	15	<i>of</i>	15
	<i>Date</i>	September 2013		
	<i>Product type</i>	DRG-28 / D32HD		
Instructions	<i>Number</i>	n.a.		

Mounting instructions for Cyberbound TT 62

This instruction shall guarantee that all hydraulic fittings and cartridges will be mounted and glued in correctly.

Procedure:

Clean and degrease thoroughly all components with a special cleaner for anaerobic adhesives (e.g. Loctite cleaner 7063) or acetone.

Apply on the outside thread only a bead of Cyberbond TT62 pump gel to approx. 2/3 of the girth of the second thread for fittings up to a diameter of 20mm or to the entire girth for fittings with a diameter larger than 20mm.



Cyberbound
TT 62



Clean from adhesive residues pressed out from the bore hole after fitting.

ATTENTION. The sealings shall be free of adhesive residues!

Tighten fittings with given fastening torques.

Standard torque values for bolts (when not indicated)

Thread size	Torque (Nm) for quality		
	8.8	10.9	12.9
M8	22,5	32,4	38,7
M10	45,0	63,0	75,6
M12	77,4	109,0	131,0
M16	194,0	270,0	324,0
M20	369,0	522,0	630,0
M24	639,0	900,0	1080,0
M27	945,0	1305,0	1575,0
M30	1260,0	1800,0	2160,0



DEMAREC AND KINSHOFER WORLDWIDE

Netherlands:

Demarec

Demolition and Recycling Equipment BV

Den Hoek 10

5845 EL St. Anthonis

Netherlands

TEL. +31 (0) 485 442300

FAX +31 (0) 485 442120

Email:

info@demarec.com

United Kingdom:

Kinshofer UK Ltd.

4 Milton Industrial Court,

Horsfield Way, Bredbury

Stockport, Cheshire, SK6 2TA

United Kingdom

TEL. +44 (0) 161 - 406 7046

FAX +44 (0) 161 - 406 7014

Email:

sales@kinshofer.co.uk

France:

Kinshofer France S.A.R.L.

B.P. 20100

67213 Obernai Cedex

France

TEL. +33 (0) 388 39 55 00

FAX +33 (0) 388 79 06 75

Email:

info@kinshofer.fr

Czech Republic:

Kinshofer CZ s.r.o.

Cs. Legii 568

37810 Ceske Velenice

Czech Republic

TEL. +420 384 – 795 110

FAX +420 384 – 795 120

Headquarters:

Germany:

Kinshofer GmbH

Hauptstrasse 76

83666 Waakirchen

Germany

TEL. +49 (0) 8021 – 88 99 0

FAX +49 (0) 8021 – 88 99 37

Email:

info@kinshofer.com

North America:

Kinshofer North America

5040 Mainway Drive, Unit 11

Burlington, ON L7L 7G5

Canada

TEL. +1 (905) 335 2856

FAX +1 (905) 335 4529

Toll Free in Canada and USA:

TEL. 1-800-268-9525

Email:

sales-northamerica@kinshofer.com

Finland:

Kinshofer Aponox Oy

Terminaalitie 10

13430 Hämeenlinna

Finland

TEL. +358 (0)75 7540 200

FAX +358 (0)75 7540 210

Beijing:

Darda Kinshofer

Construction Machinery Co. Ltd.

Unit #306, Landmark Tower 2

8 Dongsanhuan Road

Beijing 100004

China

TEL. +86 (10) 6590 6422

FAX +86 (10) 6590 6423

Email:

info@darda.com.cn