

Parts book

Product type
MQP-60-C Serie 3b



Den Hoek 10
5845 EL St. Anthonis
the Netherlands
Telephone +31 (0)485 442300
Fax +31 (0)485 442120

info@demarec.com
www.demarec.com



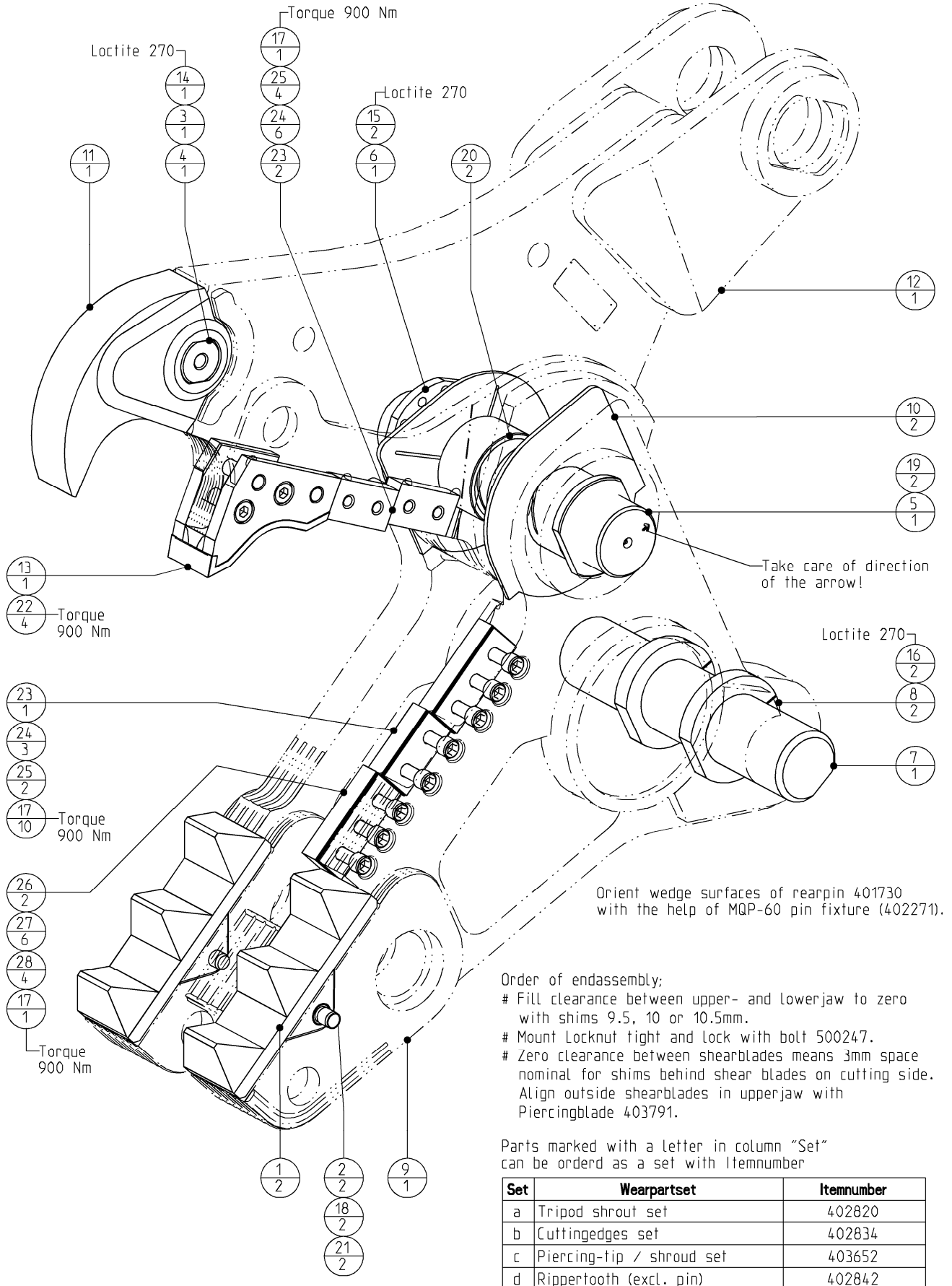
*Copyright Demolition and Recycling Equipment BV
All rights strictly reserved.
Reproductions to third parties in any form whatever is not permitted
without written authority from the proprietor*

Partsbook_403232-02.doc

Multi Quick Processor

Jaw Group

Page	1	of	2
Date	April 2009		
Product type	MQP-60-C		
Number	MQP60C140AAA 403232-02		



Order of endassembly;

- # Fill clearance between upper- and lowerjaw to zero with shims 9.5, 10 or 10.5mm.
- # Mount Locknut tight and lock with bolt 500247.
- # Zero clearance between shearblades means 3mm space nominal for shims behind shear blades on cutting side. Align outside shearblades in upperjaw with Piercingblade 403791.

Parts marked with a letter in column "Set" can be ordered as a set with Itemnumber

Set	Wearpartset	Itemnumber
a	Tripod shroud set	402820
b	Cuttingedges set	402834
c	Piercing-tip / shroud set	403652
d	Rippertooth (excl. pin)	402842

Multi Quick Processor	<i>Page</i>	2	<i>of</i>	2
	<i>Date</i>	April 2009		
	<i>Product type</i>	MQP-60-C		
Jaw Group	<i>Number</i>	MQP60C140AAA 403232-02		

b	28	508022	Shim - straight	4
b	27	508021	Shim - straight	6
b	26	508020	Shear - blade straight	2
b	25	508007	Shim - straight	6
b	24	508006	Shim - straight	9
b	23	508005	Shear - blade straight	3
c	22	506023	Shoulder bolt	4
a	21	504053	O-ring	2
	20	500574	Bushing	2
	19	500560	Grease - nipple	2
a	18	500559	Tension bush - outside	2
b	17	500285	Hex. socket head cap screw	12
	16	500262	Hex. socket head cap screw	2
	15	500247	Hex. socket head cap screw	2
d	14	500144	Bolts Hexagon	1
c	13	403791	Piercing-blade asm.	1
	12	403233	Jaw - upper asm. machined	1
d	11	402922	Ripper - tooth	1
	10	402410	Spacer	2
	9	402382	Jaw - lower asm. machined	1
	8	402343	Ring - clamp	2
	7	402342	Pin	1
	6	402341	Locknut M150x4	1
	5	402340	Pin	1
	4	402163	Lock - pin	1
d	3	401965	Lock - cover	1
a	2	401311	Lock - pin	2
a	1	401194	Shroud - tripod	2
Set	POS	PARTNUMBER	PARTNAME	QT